

EVOKE®

4.75" ROUND DOWNLIGHT LED

E4.75RDX-A15
LED

APPLICATION:

Commercial & hospitality ambient lighting

CONSTRUCTION:

20 ga. galvanized steel frame
18 ga. galvanized steel splice housing and hanger brackets
Die-cast aluminum heat sink

OPTICS:

Spun aluminum self-flanged reflector, anodized finish
High reflectance, highly diffuse mixing chamber

LED:

Color Temp: 2200K, 2700K, 3000K, 3500K, 4000K
CRI: 83 (2700K, 3000K, 3500K, 4000K)
90+ (2200K, 2700K, 3000K, 3500K)
R9 Value: 11 (83 CRI), 55 (90+ CRI)
Life: 50,000 hrs
Lumen Maintenance: >70% of initial lumens @ 50,000 hrs
Lumen Output (3000K): up to 3804 lm, up to 80.5 lm/w
CBCP (3000K): up to 21,790
Beam Options: Spot 15°, Flood 25°, Wide Flood 40°
Optional solite aperture lens


ELECTRICAL:

Electronic constant current LED driver, 120v or 277v input
ELV or Triac dimming standard, 120v or 277v
0-10V, Lutron dimming or DALI driver options available
This product complies with IEEE C62.41 for surge endurance up to 2.5KV. Amerlux® recommends using additional surge protection with this unit (supplied by others), surge damage is not covered by warranty.

MOUNTING:

For use in grid or sheetrock ceilings, max ceiling thickness 1"
Consult factory for other thicknesses
26" Hanger bars included. Consult factory for hanger bars greater than 26"

LABELING:

 approved to UL standard as tested by CSA
Damp location
Wet location option (adds clear lens and trim gasket)
IC/AT rated (27w only)

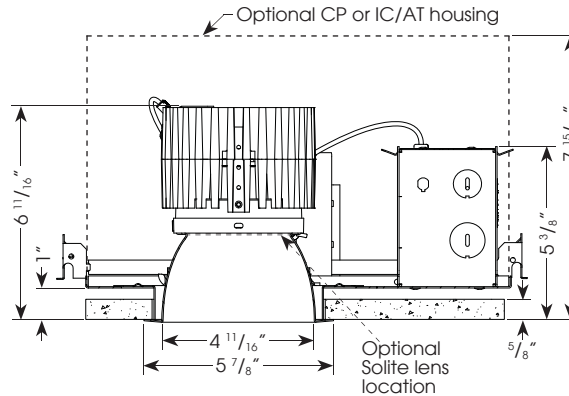
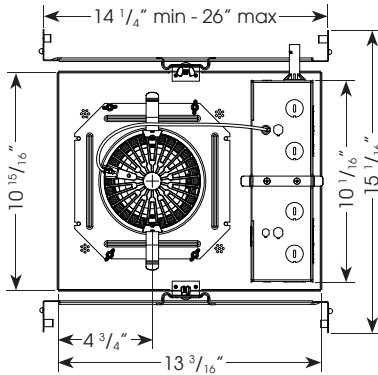


PROJECT:

TYPE:



Electrostatic sensitive device,
observe precautions for
handling



Ceiling Cut Out Dimension: 5 3/8" dia.

ELECTRICAL

Electronic driver

	27w		36w		42w		48w	
	System Watts	Amps	System Watts	Amps	System Watts	Amps	System Watts	Amps
120v	27	0.23	36	0.30	42	0.35	48	0.42
277v	27	0.10	36	0.13	42	0.15	48	0.18

Includes thermal protector, 2w power consumption

ORDERING INFORMATION:

HOUSING:					REFLECTOR/LED OPTIC:				
Model	Wattage	Lamp Type	Voltage	Options	Model	Aperture Cone/Flange Finish	Beam Spread	Color Temp (CCT-CRI)	Options
E4.75RX-A15	27*	LED	120	0-10V - 0-10v 1% dimming	E4.75RDX-A15	SDW - semi-diffuse/white	SP - spot, 15°	27 - 2700-83	WET - wet location
	36*		277	HILUME - Lutron Hi-lume® EcoSystem		MWW - matte white/white	FL - flood, 25°	30 - 3000-83	
	42			3 wire, 1% dimming (42w max)		MBB - matte black/black	WF - wide flood, 40°	35 - 3500-83	SOL - solite lens
	48			DALI - DALI 1% dimming (42w max)		SDC - semi-diffuse/clear (flange finish matches cone finish)		40 - 4000-83	
				EM - emergency battery pack with remote test switch (not available for CP or IC/AT options)				229 - 2200-90+	
				CP - Chicago Plenum (27w only)				279 - 2700-90+	
				IC/AT - insulated ceiling/air tight (27w only)				309 - 3000-90+	
								359 - 3500-90+	
								3CLA - 3K Class A	
								CRISP - CrispWhite	

Complete Unit Example: E4.75RX-A15-48-LED-120/E4.75RDX-A15-MWW-WF-30

Housing Example: E4.75RX-A15-48-LED-120

Reflector Example: E4.75RDX-A15-MWW-WF-30

Cat #:

Amerlux reserves the right to change details that do not affect overall function and performance.



Title 24
Compliant

5 year limited
warranty
AMERLUX LED
(see website for details)

EVOKE®

4.75" ROUND DOWNLIGHT LED

E4.75RDX-A15
LED



TYPE:



FIXTURE DATA: For 27w data, multiply 36w data by 0.75; For 42w data, multiply 36w data by 1.17
For 48w data, see next page

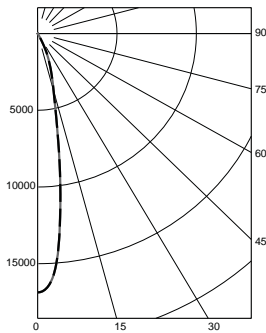
Complete photometric data (ies format) available upon request.

CCT Correction Factors: 2700-83 = 0.96; 3500-83 = 1.02; 4000-83 = 1.04; 2200-90+ = 0.71; 2700-90+ = 0.80; 3000-90+ = 0.83; 3500-90+ = 0.87; CRISP = 0.65

36W LED 3000K-83

SPOT
DISTRIBUTION
LTL # 1087061

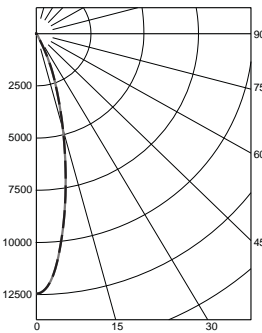
Lumen Output
2761 lm; 72.6 lm/w



Candelas at Nadir	
Deg	Candela
0	16870
5	14230
15	3660
25	968
35	106
45	63

FLOOD
DISTRIBUTION
LTL # 1087059

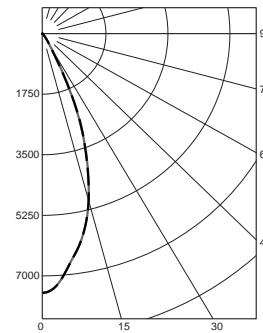
Lumen Output
2984 lm; 78.4 lm/w



Candelas at Nadir	
Deg	Candela
0	12460
5	11040
15	4902
25	1177
35	123
45	50

WIDE FLOOD
DISTRIBUTION
LTL # 1087060

Lumen Output
3016 lm; 79.4 lm/w

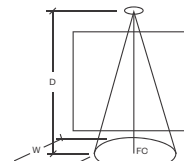


Candelas at Nadir	
Deg	Candela
0	7488
5	6980
15	4967
25	1807
35	220
45	55

APPLICATION DATA:

Notes and Definitions:

Beam spread is to 50% center beam candlepower (CBCP).
D=Distance to floor or wall.
FC=Footcandles on floor or wall at center beam aiming location.
L=Effective Visual Beam length in feet (50% of maximum footcandle level).
W=Effective Visual Beam width in feet (50% of maximum footcandle level).
CB=Distance across or down to center beam location.



	0° Aiming Angle Horizontal Footcandle			
	D	FC	L	W
SPOT	5.0'	677	1.5	1.5
	7.5'	301	2.5	2.5
	10.0'	169	3.2	3.2
	12.5'	109	3.9	3.9
FLOOD	5.0'	500	2.2	2.2
	7.5'	222	3.3	3.3
	10.0'	125	4.3	4.3
	12.5'	80	5.3	5.3
WIDE FLOOD	5.0'	301	3.1	3.1
	7.5'	134	4.7	4.7
	10.0'	75	6.2	6.2
	12.5'	48	7.8	7.8

EVOKE®

4.75" ROUND DOWNLIGHT LED

E4.75RDX-A15
LED



TYPE:



FIXTURE DATA:

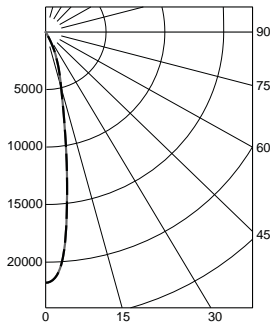
Complete photometric data (ies format) available upon request.

CCT Correction Factors: 2700-83 = 0.96; 3500-83 = 1.02; 4000-83 = 1.04; 2200-90+ = 0.71; 2700-90+ = 0.80; 3000-90+ = 0.83; 3500-90+ = 0.87; CRISP = 0.65

48W LED 3000K-83

SPOT
DISTRIBUTION
LTL # 1087056

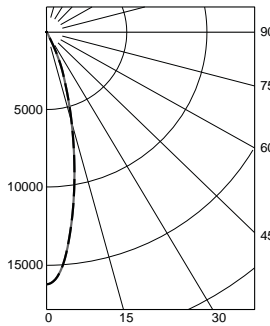
Lumen Output
3499 lm; 74.4 lm/w



Candelas at Nadir	
Deg	Candela
0	21790
5	18150
15	4718
25	1198
35	137
45	68

FLOOD
DISTRIBUTION
LTL # 1087058

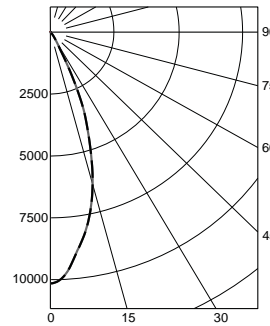
Lumen Output
3775 lm; 79.9 lm/w



Candelas at Nadir	
Deg	Candela
0	16290
5	14340
15	6224
25	1438
35	149
45	55

WIDE FLOOD
DISTRIBUTION
LTL # 1087057

Lumen Output
3804 lm; 80.5 lm/w

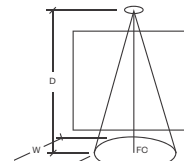


Candelas at Nadir	
Deg	Candela
0	10150
5	9394
15	6343
25	2163
35	267
45	59

APPLICATION DATA:

Notes and Definitions:

Beam spread is to 50% center beam candlepower (CBCP).
 D=Distance to floor or wall.
 FC=Footcandles on floor or wall at center beam aiming location.
 L=Effective Visual Beam length in feet (50% of maximum footcandle level).
 W=Effective Visual Beam width in feet (50% of maximum footcandle level).
 CB=Distance across or down to center beam location.



	D	FC	L	W
SPOT	5.0'	874	1.5	1.5
	7.5'	388	2.4	2.4
	10.0'	219	3.2	3.2
	12.5'	140	3.8	3.8
FLOOD	5.0'	653	2.1	2.1
	7.5'	291	3.2	3.2
	10.0'	164	4.2	4.2
	12.5'	105	5.2	5.2
WIDE FLOOD	5.0'	407	3.0	3.0
	7.5'	181	4.5	4.5
	10.0'	102	5.9	5.9
	12.5'	66	7.4	7.4

EVOKE®

4.75" ROUND DOWNLIGHT LED

E4.75RDX-A15
LED



TYPE:



DIMMING COMPATIBILITY:

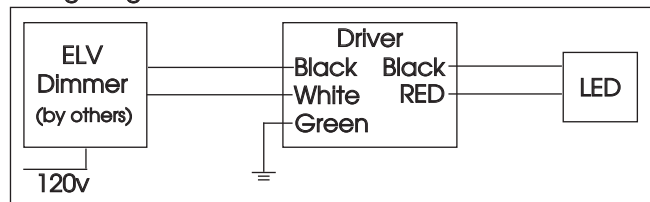
Amerlux® fixtures are compatible with all major dimming protocols prevalent in the United States. Please see below for general compatibilities and wiring diagrams. Amerlux recommends testing your unique dimming configuration as the exact full configuration (Dimmer, Fixture Quantity, Voltage, etc) may affect dimming performance.

ELV - Electronic Low Voltage (Reverse Phase) DIMMING (standard)
Utilizes specialized "ELV" dimmers. Best for New Construction applications

Notes:

- 120v or 277v
- Dims down to less than 5% light output (most cases)
- Consult Dimming manufacturer for installation instructions - DO NOT SHARE NEUTRALS!
- Must meet dimmer Minimum Load Requirements

Wiring Diagram



Compatible Dimmers

Wall Box (ELV Style)

Lutron "Diva"
Lutron "Nova-T"
Lutron "Maestro"
Leviton "Surslide"

Lutron "Vareo"
Lutron "Skylark"
Leviton "Vizio"

Central System

ETC "SR" Rack w/ELV10 Module
Lutron "GP" Panel with PHPM-PA Interface

ETC "DRD" Rack w/ELV10 Module
Lutron Grafix Eye QS with PHPM-PA Interface

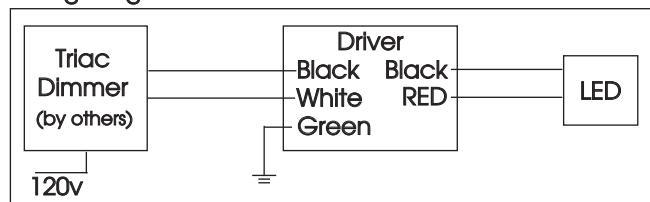
TRIAC (Forward Phase) DIMMING (standard)

Utilizes "Standard" incandescent dimmers that are in wide use in installations across the US. Best for retrofit applications where Triac dimmers are installed.

Notes:

- 120v or 277v
- Dims down to less than 5% light output (most cases)
- Consult Dimming manufacturer for installation instructions - DO NOT SHARE NEUTRALS!
- Must meet dimmer Minimum Load Requirements per dimming manufacturer

Wiring Diagram



Compatible Dimmers

Wall Box (Incandescent Style, Wattage as required)

Lutron "Diva"
Lutron "Nova-T"
Lutron "Maestro"

Lutron "Vareo"
Lutron "Skylark"

Central System

ETC "SR" Rack w/D20 Module
Lutron "GP" Panel

ETC "DRD" Rack w/D20 Module
Lutron Grafix Eye QS

EVOKE®

4.75" ROUND DOWNLIGHT LED

E4.75RDX-A15
LED



TYPE:



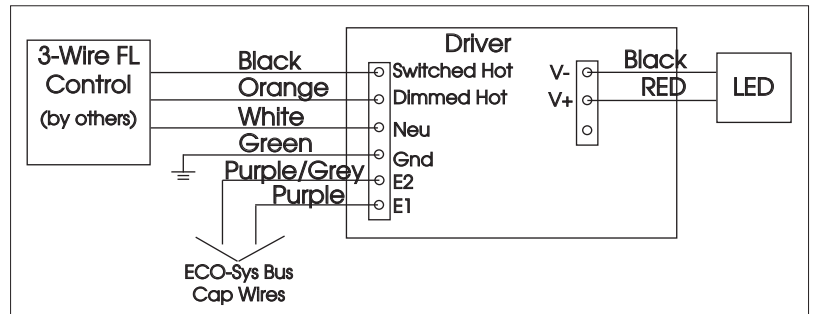
LUTRON HI-LUME / ECO-SYSTEM (-HILUME Option)

Integrates into a variety of building management and daylighting controls

Notes:

- 120v or 277v
- Dims down to less than 5% light output
- May use 3-Wire or Ecosystem Control
- Consult Dimming manufacturer for installation instructions - DO NOT SHARE NEUTRALS!

3-Wire Wiring Diagram



Compatible Dimmers

Wall Box (3-Wire Fluorescent)

DIVA

Maestro

Nova T

Vareo

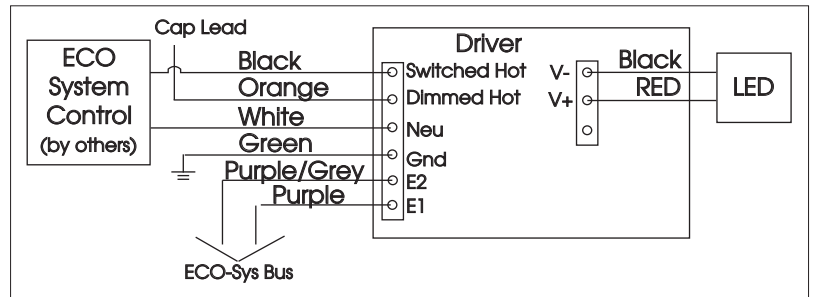
Central System

Lutron ECO-System compatible controls

ETC "SR" Rack w/D20F Module

ETC "DRD" Rack w/D20F Module

ECO System Digital Control Wiring



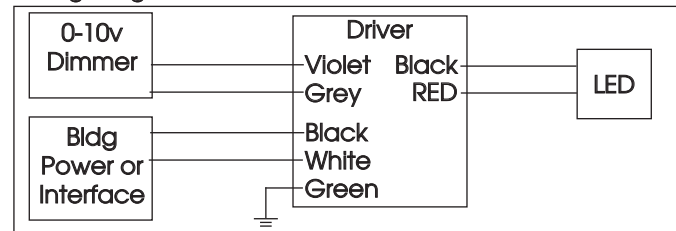
0-10V - DIMMING (-0-10V Option)

Integrates into a variety of building management and daylighting controls

Notes:

- 120v - 277v
- Dims down to less than 10% light output
- Requires interface to turn off power to driver
- Consult Dimming manufacturer for installation instructions - DO NOT SHARE NEUTRALS!

Wiring Diagram



Compatible Dimmers

Wall Box

Lutron "Diva" - DVTV with PP-120H Interface

Leviton Renoir II 0-10v

Central System

Lutron Grafix Eye with GRX-TVI Interface