

CLASSIX 6" ROUND ADJUSTABLE C3

6" ROUND ADJUSTABLE LED

CLX-RA6-C3
LED

APPLICATIONS:

Retail and commercial accent and display lighting

CONSTRUCTION:

20 ga. steel painted matte black
Formed aperture plate with 5/8" lip
Integral adjustable locking mounting bars
Thermally protected
Die-cast lamp housing and heat sink

REFLECTOR CONSTRUCTION:

Spun aluminum self-flanged reflector with angle cut
Variety of anodized aperture finishes in both white and clear flange
Steel mounting ring with torsion spring

MOUNTING:

For use in T-grid or sheet rock ceilings

LABELING:

 approved to UL standard as tested by CSA
For indoor use only

OPTICS:

0-35° tilt, 360°+ rotation
LED cluster:
Color Temp Options: 2700K, 3000K, 3500K, 4000K
CRI: 83 typ. (2700K, 3000K, 3500K, 4000K)
90+ typ. (2700K, 3000K)
CrispWhite LED available
R9 Values: 11 (83CRI), 55 (90+CRI)
Life: 50,000 hrs
Lumen Maintenance: >70% of initial lumens @ 50,000 hrs
Delivered Lumens: up to 2300 lm
Beam options: Spot 15°, Flood 25°, Wide Flood 40°
Field interchangeable spun aluminum reflectors

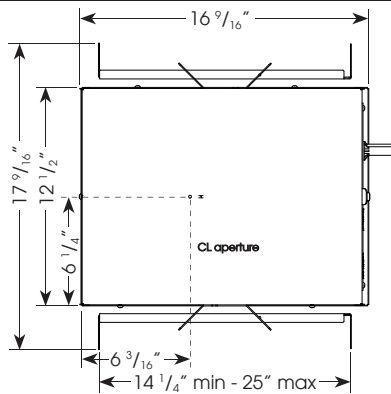
ELECTRICAL:

Electronic constant current LED driver
120v or 277v input
ELV and Triac dimming standard, 120v or 277v.
This product complies with IEEE C62.41 for surge endurance up to 2.5KV. Amerlux® recommends using additional surge protection with this unit (supplied by others), surge damage is not covered by warranty.

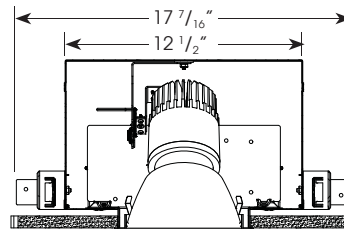
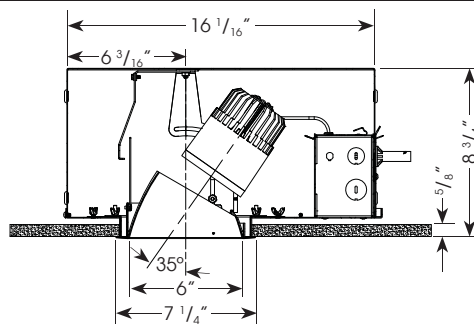


PROJECT:

TYPE:



Ceiling Cut Out Dimension: 6 7/8"



ELECTRICAL

Electronic driver

	18w		21w		25w		29w		33w	
	System Watts	Amps	System Watts	Amps	System Watts	Amps	System Watts	Amps	System Watts	Amps
120v	18	0.15	21	0.18	25	0.21	29	0.24	33	0.28
277v	18	0.06	21	0.08	25	0.08	29	0.10	33	0.12

Includes 2w for thermal protector



5 year limited warranty
AMERLUX LED
(see website for details)

ORDERING INFORMATION:

HOUSING:							REFLECTOR:	
Model	Wattage	Lamp Type	Voltage	Beam Spread	Color Temp (CCT(K)-CRI)	Options	Model	Aperture Finish
CLX-RA6-C3	18	LED	120	SP - spot, 15°	27 - 2700-83	HILUME - Lutron Hi-lume® dimming	CLX-RA6-C3	Reflector with white painted flange
	21		277	FL - flood, 25°	30 - 3000-83	0-10V - 0-10v dimming		SDW - semi-diffuse white
	25			WF - wide flood, 40°	35 - 3500-83	DALI - DALI driver		Reflector with clear flange
	29				40 - 4000-83	HEX - hexcell louver		(flange finish matches cone finish)
	33				279 - 2700-90+			SDC - semi-diffuse clear
					309 - 3000-90+			
					CRISP - CrispWhite			

Complete Unit Example: CLX-RA6-C3-33-LED-120-SP-30/CLX-RA6-C3-SDW

Housing Example: CLX-RA6-C3-33-LED-120-SP-30

Reflector Example: CLX-RA6-C3-SDW

Cat #:

Amerlux® reserves the right to change details that do not affect overall function and performance.



CLASSIX 6" ROUND ADJUSTABLE C3

6" ROUND ADJUSTABLE LED

CLX-RA6-C3
LED



TYPE:



DIMMING COMPATIBILITY:

Amerlux® fixtures are compatible with all major dimming protocols prevalent in the United States. Please see below for general compatibilities and wiring diagrams. Amerlux recommends testing your unique dimming configuration as the exact full configuration (Dimmer, Fixture Quantity, Voltage, etc) may affect dimming performance.

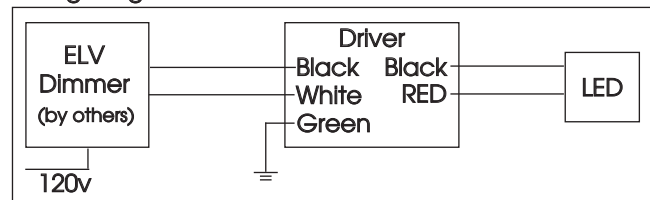
ELV - Electronic Low Voltage (Reverse Phase) DIMMING (standard)

Utilizes specialized "ELV" dimmers. Best for New Construction applications

Notes:

- 120v or 277v
- Dims down to less than 5% light output (most cases)
- Consult Dimming manufacturer for installation Instructions - DO NOT SHARE NEUTRALS!
- Must meet dimmer Minimum Load Requirements

Wiring Diagram



Compatible Dimmers

Wall Box (ELV Style)

Lutron "Diva"
Lutron "Nova-T"
Lutron "Maestro"
Leviton "Surslide"

Lutron "Vareo"
Lutron "Skylark"

Leviton "Vizio"

Central System

ETC "SR" Rack w/ELV10
Module

ETC "DRD" Rack w/ELV10
Module

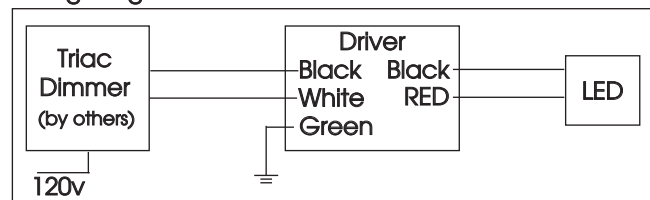
TRIAC (Forward Phase) DIMMING (standard)

Utilizes "Standard" incandescent dimmers that are in wide use in installations across the US. Best for retrofit applications where Triac dimmers are installed.

Notes:

- 120v or 277v
- Dims down to less than 5% light output (most cases)
- Consult Dimming manufacturer for installation Instructions - DO NOT SHARE NEUTRALS!
- Must meet dimmer Minimum Load Requirements per dimming manufacturer

Wiring Diagram



Compatible Dimmers

Wall Box (Incandescent Style, Wattage as required)

Lutron "Diva"
Lutron "Nova-T"
Lutron "Maestro"

Lutron "Vareo"
Lutron "Skylark"

Central System

ETC "SR" Rack w/D20
Module
Lutron "GP" Panel

ETC "DRD" Rack w/D20
Module
Lutron Grafix Eye QS

CLASSIX 6" ROUND ADJUSTABLE C3

6" ROUND ADJUSTABLE LED

CLX-RA6-C3
LED



TYPE:



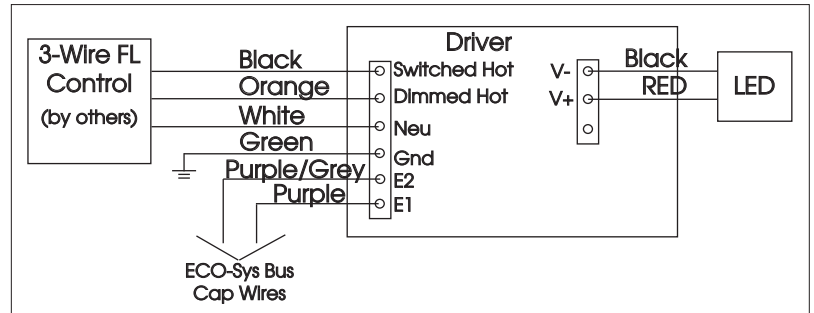
LUTRON HI-LUME / ECO-SYSTEM (-HILUME Option)

Integrates into a variety of building management and daylighting controls

Notes:

- 120v or 277v
- Dims down to less than 5% light output
- May use 3-Wire or Ecosystem Control
- Consult Dimming manufacturer for installation instructions - DO NOT SHARE NEUTRALS!

3-Wire Wiring Diagram



Compatible Dimmers

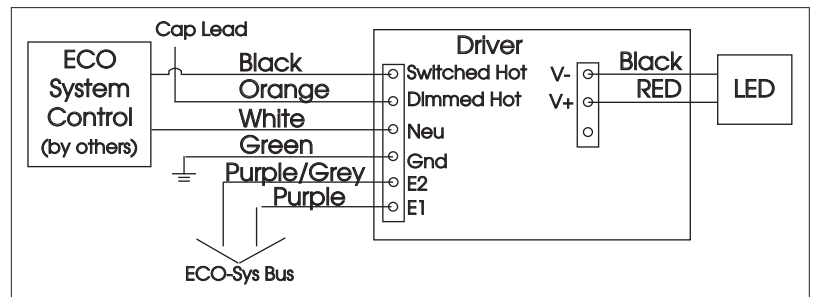
Wall Box (3-Wire Fluorescent)

DIVA
Maestro
Nova T
Vareo

Central System

Lutron ECO-System compatible controls
ETC "SR" Rack w/D20F Module
ETC "DRD" Rack w/D20F Module

ECO System Digital Control Wiring



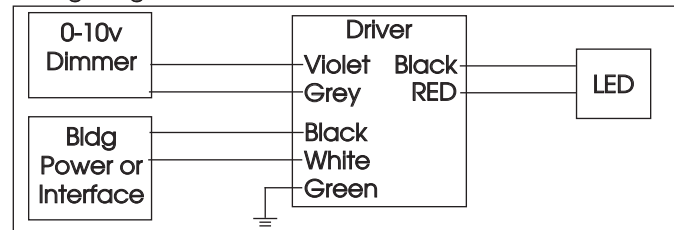
0-10V - DIMMING (-0-10V Option)

Integrates into a variety of building management and daylighting controls

Notes:

- 120v - 277v
- Dims down to 1% light output
- Requires interface to turn off power to driver
- Consult Dimming manufacturer for installation instructions - DO NOT SHARE NEUTRALS!

Wiring Diagram



Compatible Dimmers

Wall Box

Lutron "Diva" - DVTV with PP-120H Interface

Leviton Renoir II 0-10v

Central System

Lutron Grafix Eye with GRX-TVI Interface