

# CLASSIX 6" ROUND ADJUSTABLE C3M

## 6" ROUND ADJUSTABLE LED

### APPLICATIONS:

Retail and commercial accent and display lighting

### CONSTRUCTION:

20 ga. steel painted matte black  
Formed aperture plate with 5/8" lip  
Integral adjustable locking mounting bars  
Thermally protected  
Die-cast lamp housing and heat sink


### REFLECTOR CONSTRUCTION:

Spun aluminum self-flanged reflector with angle cut  
Variety of anodized aperture finishes in both white and clear flange  
Steel mounting ring with torsion spring

### MOUNTING:

For use in T-grid or sheet rock ceilings

### LABELING:

 approved to UL standard as tested by CSA  
For indoor use only

### OPTICS:

0-35° tilt, 360°+ rotation

LED cluster:

Color Temp Options: 2200K, 2700K, 3000K, 3500K, 4000K

CRI: 83 typ. (2700K, 3000K, 3500K, 4000K)

90+ typ. (2200K, 2700K, 3000K, 3500K)

CrispWhite & Class A LED available

R9 Values: 11 (83CRI), 55 (92CRI)

Binning: 3 MacAdam

Lumen Maintenance: >70% of initial lumens @ 50,000 hrs

Various beam distributions

Field interchangeable spun aluminum reflectors

### ELECTRICAL:

Electronic constant current LED driver, 120v or 277v input  
ELV and Triac dimming standard, 120v or 277v.

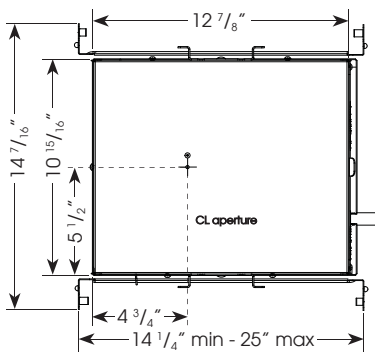
**This product complies with IEEE C62.41 for surge endurance up to 2.5KV. Amerlux® recommends using additional surge protection with this unit (supplied by others), surge damage is not covered by warranty.**

CLX-RA6-C3M  
LED

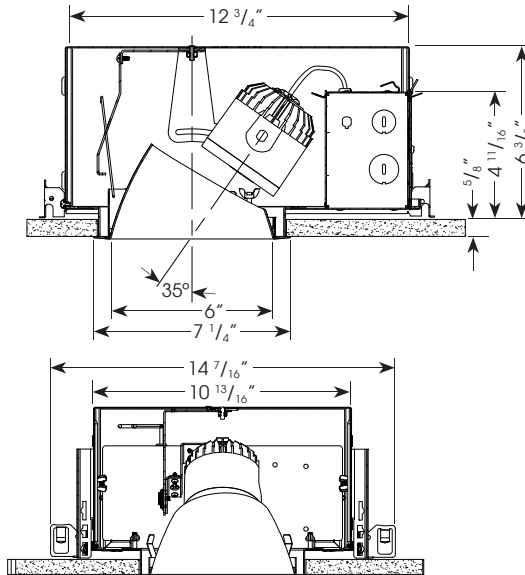


PROJECT:

TYPE:



Ceiling Cut Out Dimension: 6 7/8"



### ELECTRICAL

Electronic driver  
23w

|      | System |      |
|------|--------|------|
|      | Watts  | Amps |
| 120v | 23     | 0.19 |
| 277v | 23     | 0.08 |



**5** year limited warranty  
AMERLUX LED  
(see website for details)

### ORDERING INFORMATION:

| HOUSING:    |         |           |            |                                                                                                                     |                                                                                                                                                                                 |                                                                                                                                                      | REFLECTOR:  |                                                                                                                                                                    |
|-------------|---------|-----------|------------|---------------------------------------------------------------------------------------------------------------------|---------------------------------------------------------------------------------------------------------------------------------------------------------------------------------|------------------------------------------------------------------------------------------------------------------------------------------------------|-------------|--------------------------------------------------------------------------------------------------------------------------------------------------------------------|
| Model       | Wattage | Lamp Type | Voltage    | Beam Spread                                                                                                         | Color Temp (CCT(K)-CRI)                                                                                                                                                         | Options                                                                                                                                              | Model       | Aperture Finish                                                                                                                                                    |
| CLX-RA6-C3M | 23      | LED       | 120<br>277 | SP - spot, 14°<br>VNF - very narrow flood, 18°<br>NF - narrow flood, 23°<br>FL - flood, 34°<br>WF - wide flood, 44° | 27 - 2700-83<br>30 - 3000-83<br>35 - 3500-83<br>40 - 4000-83<br>229 - 2200-90+<br>279 - 2700-90+<br>309 - 3000-90+<br>359 - 3500-90+<br>3CLA - 3K Class A<br>CRISP - CrispWhite | HILUME-DH - Lutron Hi-lume®<br>3 wire, 1% dim<br>HILUME-ECO - Lutron Hi-lume®<br>EcoSystem,<br>1% dim<br>0-10V - 0-10v dimming<br>DALI - DALI driver | CLX-RA6-C3M | Reflector with white painted flange<br>SDW - semi-diffuse white<br><br>Reflector with clear flange (flange finish matches cone finish)<br>SDC - semi-diffuse clear |

Complete Unit Example: CLX-RA6-C3M-23-LED-120-SP-30/CLX-RA6-C3M-SDW

Housing Example: CLX-RA6-C3M-23-LED-120-SP-30

Reflector Example: CLX-RA6-C3M-SDW

Cat #:

Amerlux® reserves the right to change details that do not affect overall function and performance.



# CLASSIX 6" ROUND ADJUSTABLE C3M

6" ROUND ADJUSTABLE LED

CLX-RA6-C3M  
LED



TYPE:



## DIMMING COMPATIBILITY:

Amerlux® fixtures are compatible with all major dimming protocols prevalent in the United States. Please see below for general compatibilities and wiring diagrams. Amerlux recommends testing your unique dimming configuration as the exact full configuration (Dimmer, Fixture Quantity, Voltage, etc) may affect dimming performance.

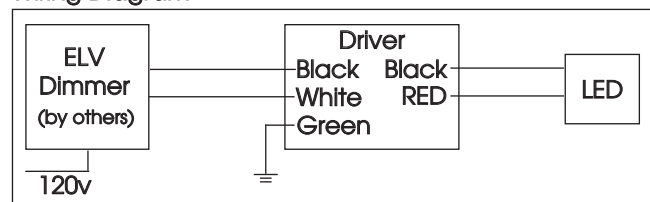
### ELV - Electronic Low Voltage (Reverse Phase) DIMMING (standard)

Utilizes specialized "ELV" dimmers. Best for New Construction applications

#### Notes:

- 120v or 277v
- Dims down to less than 5% light output (most cases)
- Consult Dimming manufacturer for installation Instructions - DO NOT SHARE NEUTRALS!
- Must meet dimmer Minimum Load Requirements

#### Wiring Diagram



#### Compatible Dimmers

##### Wall Box (ELV Style)

Lutron "Diva"  
Lutron "Nova-T"  
Lutron "Maestro"  
Leviton "Surslide"

Lutron "Vareo"  
Lutron "Skylark"  
  
Leviton "Vizio"

##### Central System

ETC "SR" Rack w/ELV10  
Module

ETC "DRD" Rack w/ELV10  
Module

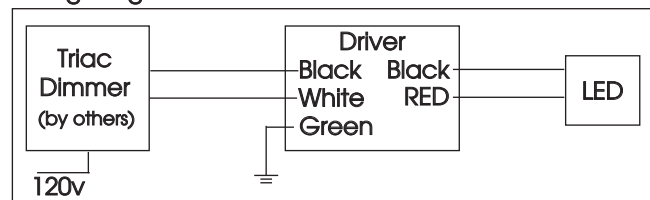
### TRIAC (Forward Phase) DIMMING (standard)

Utilizes "Standard" incandescent dimmers that are in wide use in installations across the US. Best for retrofit applications where Triac dimmers are installed.

#### Notes:

- 120v or 277v
- Dims down to less than 5% light output (most cases)
- Consult Dimming manufacturer for installation Instructions - DO NOT SHARE NEUTRALS!
- Must meet dimmer Minimum Load Requirements per dimming manufacturer

#### Wiring Diagram



#### Compatible Dimmers

##### Wall Box (Incandescent Style, Wattage as required)

Lutron "Diva"  
Lutron "Nova-T"  
Lutron "Maestro"

Lutron "Vareo"  
Lutron "Skylark"

##### Central System

ETC "SR" Rack w/D20  
Module  
Lutron "GP" Panel

ETC "DRD" Rack w/D20  
Module  
Lutron Grafix Eye QS

# CLASSIX 6" ROUND ADJUSTABLE C3M

6" ROUND ADJUSTABLE LED

CLX-RA6-C3M  
LED



TYPE:



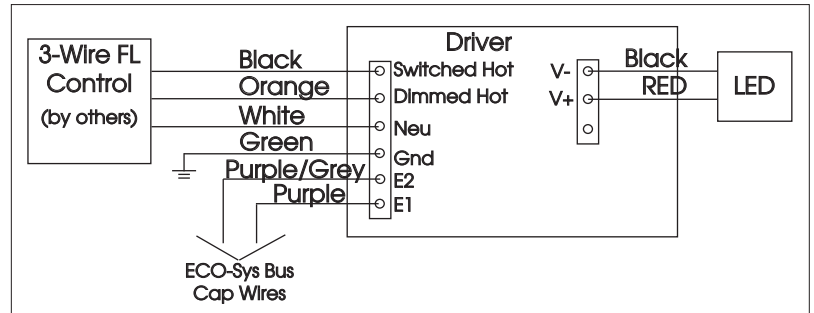
## LUTRON HI-LUME / ECO-SYSTEM (-HILUME Option)

Integrates into a variety of building management and daylighting controls

### Notes:

- 120v or 277v
- Dims down to less than 5% light output
- May use 3-Wire or Ecosystem Control
- Consult Dimming manufacturer for installation instructions - DO NOT SHARE NEUTRALS!

### 3-Wire Wiring Diagram



### Compatible Dimmers

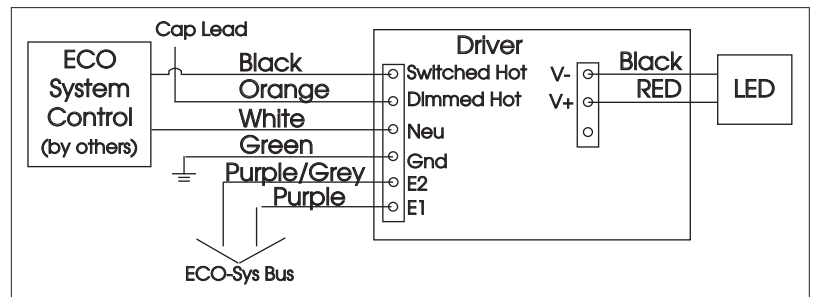
#### Wall Box (3-Wire Fluorescent)

DIVA  
Maestro  
Nova T  
Vareo

#### Central System

Lutron ECO-System compatible controls  
ETC "SR" Rack w/D20F Module  
ETC "DRD" Rack w/D20F Module

### ECO System Digital Control Wiring



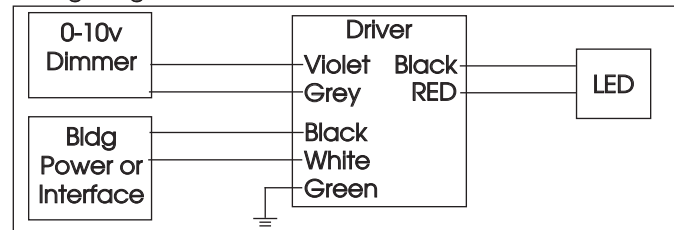
## 0-10V - DIMMING (-0-10V Option)

Integrates into a variety of building management and daylighting controls

### Notes:

- 120v - 277v
- Dims down to 1% light output
- Requires interface to turn off power to driver
- Consult Dimming manufacturer for installation instructions - DO NOT SHARE NEUTRALS!

### Wiring Diagram



### Compatible Dimmers

#### Wall Box

Lutron "Diva" - DVTW with PP-120H Interface

Leviton Renoir II 0-10v

#### Central System

Lutron Grafix Eye with GRX-TVI Interface