

FINO® HEALTHCARE

ASYMMETRIC WALL MOUNT INDIRECT LED

APPLICATIONS:

Commercial and hospitality wall mounted indirect lighting for washing ceiling or floor. Healthcare applications requiring a wipe down lens with no horizontal "shelf" surfaces.

CONSTRUCTION:

2 pc construction: 5/8" deep extruded aluminum mud-in frame with gear and snap-in extruded aluminum optical assembly
 Fixture lengths available in 6" increments (minimum 1')
 Extruded latching system for hairline seams
 Field replaceable LED board

OPTICS:

6w/ft or 12w/ft LED boards
 Color Temp: 2700K, 3000K, 3500K, 4000K
 CRI: 80 typ
 Life: 50,000 hrs
 Lumen Maintenance: >70% of initial lumens @ 50,000 hrs
 Lumen Output (3000K): 1028 lm/ft (79.5 lpw) typ.
 Engineered optical system with internal asymmetric high reflectance white reflector and wipe down lens covering aperture.

ELECTRICAL:


Electronic constant current LED driver, 36" min., 8'-0" max. per driver. Must daisy chain min. 36" of fixture for short runs (driver on 1st fixture, daisy chain to others). 120v or 277v input
 0-10v dimming to 10%, driver is accessible by removing LED module
 Driver may be removed up to 30' by removing frame mounted driver box.

This product complies with IEEE C62.41 for surge endurance up to 2.5KV. Amerlux recommends using additional surge protection with this unit (supplied by others), surge damage is not covered by warranty.

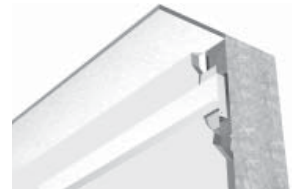
MOUNTING:

For use in sheet rock walls
 Extruded latching system for hairline seams

LABELING:

 For indoor use only
 IC rated
 Damp location
 Not for use in fire rated ceilings

FINO-HC LED



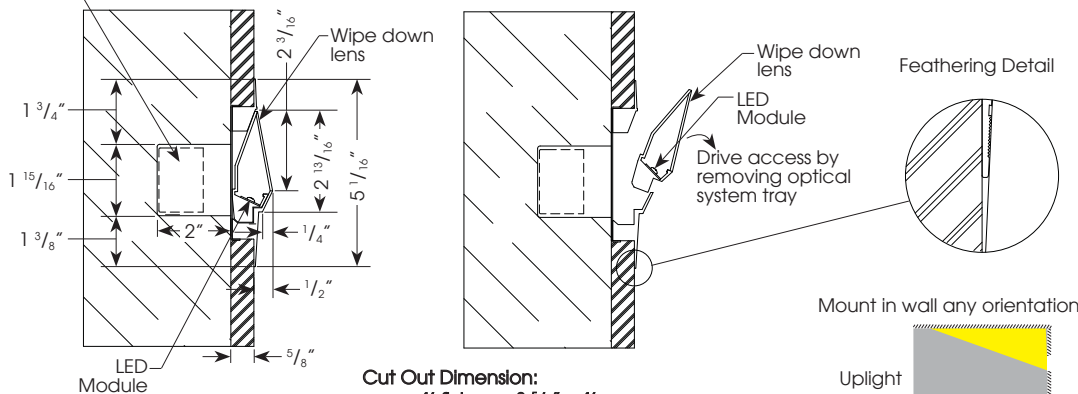
PROJECT:

TYPE:



Electrostatic sensitive device, observe precautions for handling

Driver Compartment, fits between studs, sliding lateral adjustment (14 3/8" long)



Cut Out Dimension:
 4' fixture = 3 5/8" x 4'
 Continuous runs = 3 5/8" x fixture length + 1"

ELECTRICAL

Electronic driver

Wattage per foot		4'		8'	
		System watts	Amps	System watts	Amps
6	120v	24	0.20	48	0.40
	277v	24	0.09	48	0.17
12	120v	48	0.40	96	0.80
	277V	48	0.17	96	0.35

Mount in wall any orientation

Uplight

Downlight

10 year limited warranty
 AMERLUX LED

(see website for details)

ORDERING INFORMATION:

Model	Wattage Per Foot	Lamp Type	Color Temp	Finish	Voltage	Length	Configuration	Options/Accessories
FINO-HC	6 12	LED	2700 3000 3500 4000	HW - high reflectance white	120/277	1' 2' 3' 4' 5' 6' 7' 8'	IND - individual CON - continuous runs in excess of 8'	HILUME-DH - Lutron HI-lume® 3 wire, 1% dimming HILUME-ECO - Lutron HI-lume® EcoSystem, 1% dimming DALI- DALI driver

*Note - For 12w fixtures - Due to driver limitations, not all output & length configurations are possible. Please consult factory.

Example: FINO-HC-6-LED-3500-HW-120-4-IND

Cat #:

Amerlux reserves the right to change details that do not affect overall function and performance.



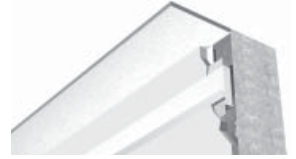
FINO® HEALTHCARE

ASYMMETRIC WALL MOUNT INDIRECT LED

FINO-HC
LED



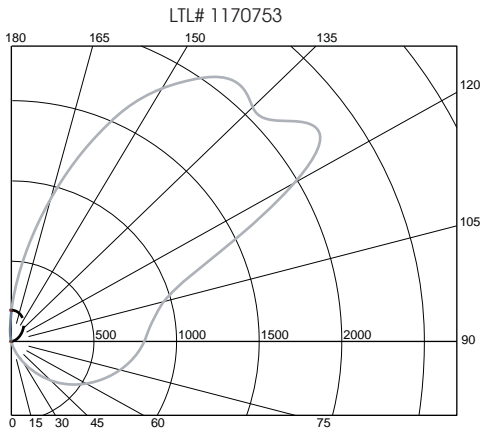
TYPE:



FIXTURE DATA:

Complete photometric data (.ies format) available upon request.

FINO 12W/FT LED 4' IND 3000K
SOURCE: 112 WHITE LEDS LUMENS/FT: 1028
RECESSED



ZONAL LUMEN SUMMARY

Zone	Lumens	%Fixt
0-40	46	1.1
0-60	234	5.7
0-90	880	21.4
90-180	3233	78.6

Total Luminaire Efficacy = 79.5 lumens/watt

COEFFICIENTS OF UTILIZATION

Effective Floor Cavity Reflectance 20%

RC	80			
RW	70	50	30	10
RCR				
0	4127	4127	4127	4127
1	3626	3399	3196	3013
2	3251	2898	2605	2359
3	2936	2505	2172	1907
4	2665	2188	1839	1572
5	2429	1926	1574	1315
6	2224	1709	1363	1115
7	2046	1528	1192	953
8	1888	1373	1049	827
9	1750	1242	931	721
10	1627	1129	830	632