

MURRO SURFACE WALL WASH

3.5" ROUND SURFACE CANOPY REMODELER, LED

MUR-RSC-REM
LED



APPLICATIONS:

Retail and commercial wall wash lighting

CONSTRUCTION:

20 ga. galvanized steel frame
Die-cast optical housing and trim
Extruded aluminum and die-cast heat sink

ELECTRICAL:

Electronic constant current LED driver, 120v or 277v input
ELV and Triac dimming standard, 120v or 277v.
0-10v and Lutron systems available. See following pages for more information.

This product complies with IEEE C62.41 for surge endurance up to 2.5KV. Amerlux® recommends using additional surge protection with this unit (supplied by others), surge damage is not covered by warranty.

OPTICS:

0-180° tilt, 360° rotation
Wall wash beam spread


LED:

Color Temp Options: 2700K, 3000K, 3500K, 4000K
CRI: 83 typ. (2700K, 3000K, 3500K, 4000K)
90+ typ. (2700K, 3000K)
CrispWhite LED available
R9 Values: 11 (83CRI), 55 (90+CRI)
Binning: 3 MacAdam
Lumen Maintenance: >70% of initial lumens @ 50,000 hrs
Lumen Output: 19w 2114 lm, 111.3 lpw
31w 3203 lm, 102.7 lpw

MOUNTING:

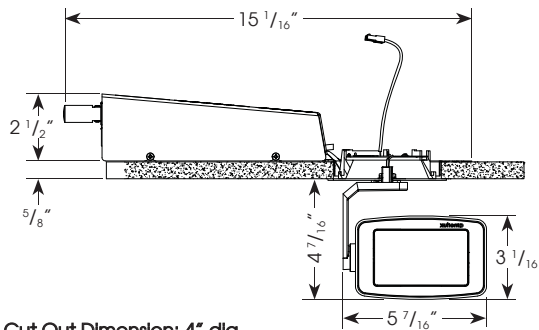
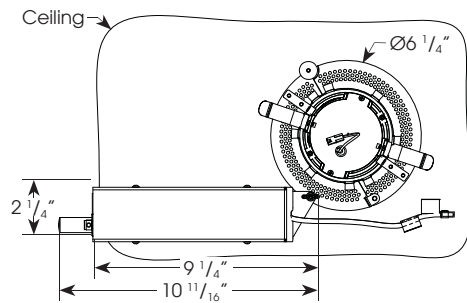
For use in T-grid or sheet rock ceilings, 1" max thickness

LABELING:

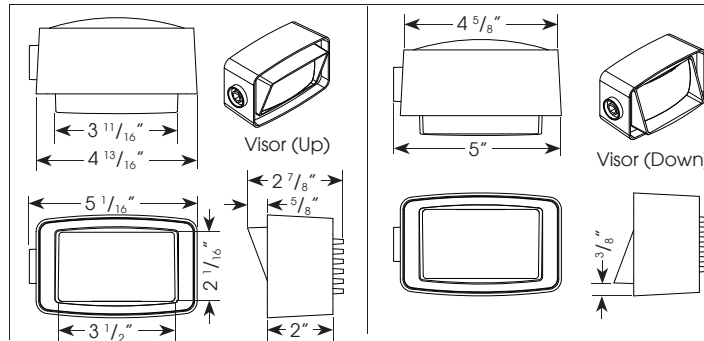
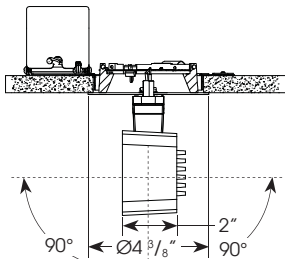
 pending approval to UL standards as tested by
US CSA.
For indoor use only

PROJECT:

TYPE:



Ceiling Cut Out Dimension: 4" dia.



ELECTRICAL

Electronic driver

	19w		31w	
	System Watts	Amps	System Watts	Amps
120v	19	0.16	31	0.26
277v	19	0.07	31	0.11



5 year limited warranty
AMERLUX LED

(see website for details)

ORDERING INFORMATION:

Housing/Frame:					Trim:				
Model	Wattage	Lamp Type	Voltage	Options	Model	Finish	Beam Spread	Color Temp (CCT-CRI)	Options
MUR-RSC-REM	19	LED	120-277	HILUME - Lutron Hi-lume® dimming 0-10V - 0-10v dimming	MUR-RSC	BT - black texture WT - white texture ST - silver texture	WW - wall wash	27 - 2700K-83 30 - 3000K-83 35 - 3500K-83 40 - 4000K-83	VISU - visor up VISD - visor down
	31							279 - 2700K-90+ 309 - 3000K-90+	CRISP - CrispWhite

Complete Example: MUR-RSC-REM-31-LED-120-277/MUR-RSC-WT-WW-30
Housing/Frame Example: MUR-RSC-REM-31-LED-120-277
Reflector Example: MUR-RSC-WT-WW-30

Cat #:

Amerlux reserves the right to change details that do not affect overall function and performance.



MURRO SURFACE WALL WASH

3.5" ROUND SURFACE CANOPY REMODELER, LED

MUR-RSC-REM
LED



TYPE:



FIXTURE DATA: For 19w data, multiply by 0.66

CCT Correction Factors: 2700-83 = 0.96; 3500-83 = 1.02; 4000-83 = 1.04
2700-90+ = 0.80; 3000-90+ = 0.83; CRISP = 0.65

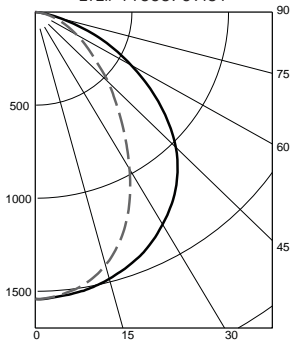
Complete photometric data (.ies format) available upon request.

MURRO LED WALL WASH 31W 3000K

Source: 1 white LED array Lumens: 3,203

Track Mounting

LTL# 11580739.01



ZONAL LUMEN SUMMARY

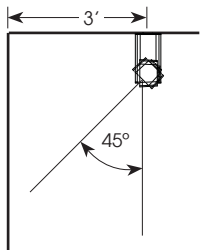
Zone	Lumens	%Fixt
0-40	1763	55.0
0-60	2768	86.4
0-90	3203	100.0
60-90	244	8.52
90-180	0	0.00

Efficacy (Lm/W = 102.7)

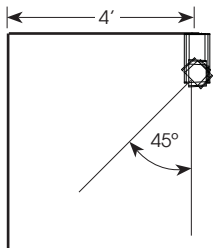
APPLICATION DATA:

Footcandles on Wall

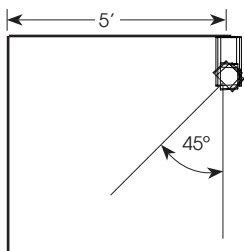
Footcandles are average and rounded off.
Data for multiple units are based on a minimum of five units.



Distance from ceiling	6'							
	93	94	72	54	53	70	93	94
0.5'	117	119	93	72	71	91	117	118
1.5'	92	93	80	68	67	79	92	92
2.5'	63	63	58	54	54	58	63	63
3.5'	43	43	42	40	40	42	42	42
4.5'	30	30	30	29	29	30	30	30
5.5'	23	23	22	22	22	22	22	22
6.5'	18	18	18	17	17	17	17	17
7.5'	14	14	14	14	14	14	14	14
8.5'	14	14	14	14	14	14	14	14



Distance from ceiling	8'									
	51	51	43	34	29	29	34	43	51	51
0.5'	68	68	57	45	38	38	45	57	68	68
1.5'	64	64	56	47	41	41	47	56	64	64
2.5'	51	51	47	41	38	38	41	47	51	50
3.5'	38	38	36	34	32	32	33	36	38	38
4.5'	29	29	28	27	26	26	27	28	28	28
5.5'	22	22	22	21	21	21	21	22	22	22
6.5'	18	18	17	17	17	17	17	17	17	17
7.5'	15	15	15	14	14	14	14	14	14	14
8.5'	15	15	15	14	14	14	14	14	14	14



Distance from ceiling	8'									
	35	35	32	28	26	26	28	32	35	35
0.5'	46	46	42	37	34	34	37	42	46	46
1.5'	49	49	45	41	38	38	41	45	49	49
2.5'	44	44	42	39	37	37	39	42	44	44
3.5'	37	37	35	34	33	33	34	36	37	37
4.5'	30	30	30	30	28	28	29	30	30	30
5.5'	24	24	24	24	23	23	24	24	24	24
6.5'	20	20	20	20	20	20	20	20	20	20
7.5'	16	17	17	17	17	17	17	17	17	17
8.5'	16	17	17	17	17	17	17	17	17	17

MURRO SURFACE WALL WASH

3.5" ROUND SURFACE CANOPY REMODELER, LED

MUR-RSC-REM
LED



TYPE:



DIMMING COMPATIBILITY:

Amerlux® "Murro" fixtures are compatible with all major dimming protocols prevalent in the United States. Please see below for general compatibilities and wiring diagrams. Amerlux recommends testing your unique dimming configuration as the exact full configuration (Dimmer, Fixture Quantity, Voltage, etc) may affect dimming performance.

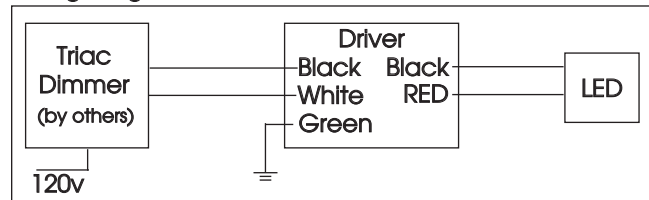
TRIAC (Forward Phase) DIMMING (standard)

Utilizes "Standard" incandescent dimmers that are in wide use in installations across the US. Best for retrofit applications where Triac dimmers are installed.

Notes:

- 120v only
- Dims down to less than 5% light output (most cases)
- Consult Dimming manufacturer for installation instructions - DO NOT SHARE NEUTRALS!
- Must meet dimmer Minimum Load Requirements per dimming manufacturer

Wiring Diagram



Compatible Dimmers

Wall Box (Incandescent Style, Wattage as required)

Lutron "Diva"
Lutron "Nova-T"
Lutron "Maestro"

Lutron "Vareo"
Lutron "Skylark"

Central System

ETC "SR" Rack w/D20 Module
Lutron "GP" Panel

ETC "DRD" Rack w/D20 Module
Lutron Grafix Eye QS

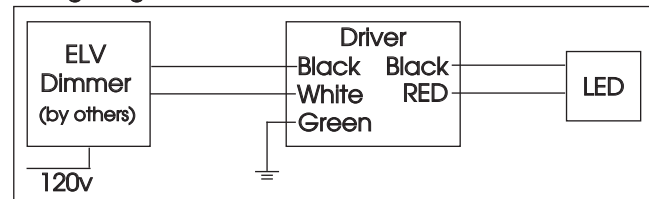
ELV - Electronic Low Voltage (Reverse Phase) DIMMING (standard)

Utilizes specialized "ELV" dimmers. Best for New Construction applications

Notes:

- 120v only
- Dims down to less than 5% light output (most cases)
- Consult Dimming manufacturer for installation instructions - DO NOT SHARE NEUTRALS!
- Must meet dimmer Minimum Load Requirements

Wiring Diagram



Compatible Dimmers

Wall Box (ELV Style)

Lutron "Diva"
Lutron "Nova-T"
Lutron "Maestro"
Leviton "Surslide"

Lutron "Vareo"
Lutron "Skylark"
Leviton "Vizio"

Central System

ETC "SR" Rack w/ELV10 Module
Lutron "GP" Panel with PPHM-PA Interface

ETC "DRD" Rack w/ELV10 Module
Lutron Grafix Eye QS with PPHM-PA Interface

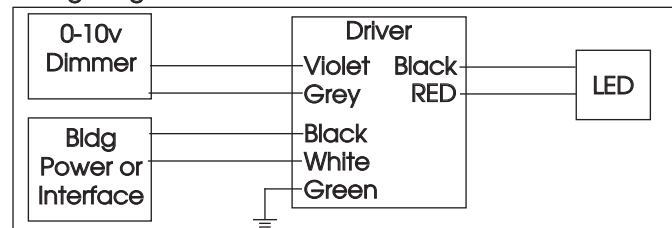
0-10V - DIMMING (-0-10V Option)

Integrates into a variety of building management and daylighting controls

Notes:

- 120v - 277v
- Dims down to less than 10% light output
- Requires interface to turn off power to driver
- Consult Dimming manufacturer for installation instructions - DO NOT SHARE NEUTRALS!

Wiring Diagram



Compatible Dimmers

Wall Box

Lutron "Diva" - DVTV with PP-120H Interface

Leviton Renoir II 0-10v

Central System

Lutron Grafix Eye with GRX-TVI Interface

MURRO SURFACE WALL WASH

3.5" ROUND SURFACE CANOPY REMODELER, LED

MUR-RSC-REM
LED



TYPE:



LUTRON HI-LUME / ECO-SYSTEM (-HILUME Option)

Integrates into a variety of building management and daylighting controls

Notes:

- 120v or 277v
- Dims down to less than 5% light output
- May use 3-Wire or Ecosystem Control
- Consult Dimming manufacturer for installation instructions - DO NOT SHARE NEUTRALS!

Compatible Dimmers

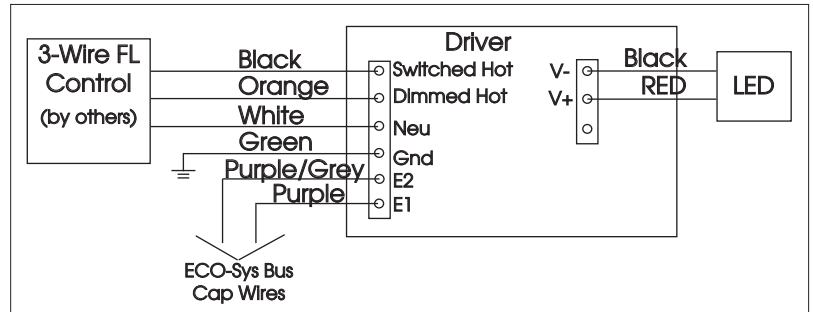
Wall Box (3-Wire Fluorescent)

DIVA
Maestro
Nova T
Vareo

Central System

Lutron ECO-System compatible controls
ETC "SR" Rack w/D20F Module
ETC "DRD" Rack w/D20F Module

3-Wire Wiring Diagram



ECO System Digital Control Wiring

