

# EVOKE®

## 4.75" ROUND SHALLOW DOWNLIGHT LED

E4.75RDS-A15  
LED

### APPLICATION:

Commercial & hospitality ambient lighting

### CONSTRUCTION:

20 ga. galvanized steel frame  
18 ga. galvanized steel splice housing and hanger brackets  
Die-cast aluminum heat sink

### OPTICS:

Spun aluminum self-flanged reflector, anodized finish  
High reflectance, highly diffuse mixing chamber  
LED:

Color Temp: 2200K, 2700K, 3000K, 3500K, 4000K  
CRI: 83 (2700K, 3000K, 3500K, 4000K)  
90+ (2200K, 2700K, 3000K, 3500K)

R9 Value: 11 (83 CRI), 55 (90+ CRI)

Life: 50,000 hrs

Lumen Maintenance: >70% of initial lumens @ 50,000 hrs

Lumen Output (3000K): up to 2104 lm (est.),  
up to 77 lm/w (est.)

CBCP (3000K): up to 15,930 (est.)

Beam Options: Spot 15°, Flood 25°, Wide Flood 40°

Optional solite aperture lens

### ELECTRICAL:

Electronic constant current LED driver, 120v or 277v input  
ELV or Triac dimming standard, 120v or 277v  
0-10V, Lutron dimming or DALI driver options available  
**This product complies with IEEE C62.41 for surge endurance up to 2.5KV. Amerlux® recommends using additional surge protection with this unit (supplied by others), surge damage is not covered by warranty.**

### MOUNTING:

For use in grid or sheetrock ceilings, max ceiling thickness 1"  
Consult factory for other thicknesses  
26" Hanger bars included. Consult factory for hanger bars greater than 26"

### LABELING:

 approved to UL standard as tested by CSA

Damp location

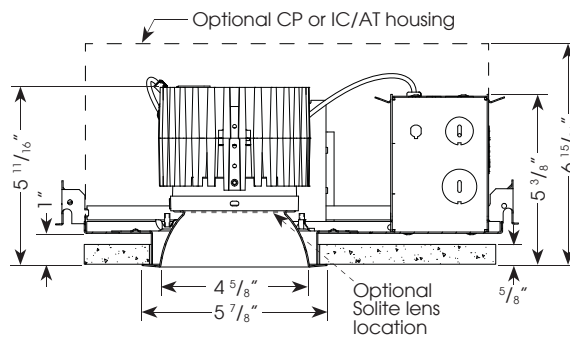
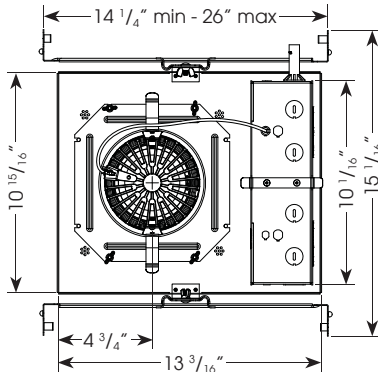
Wet location option (adds clear lens and trim gasket)

IC/AT rated (13w & 16w only)



PROJECT:

TYPE:



Ceiling Cut Out Dimension: 5 3/8" dia.



### ELECTRICAL

Driver	13w		16w		21w†		29w†	
	System Watts	Amps	System Watts	Amps	System Watts	Amps	System Watts	Amps
Electronic 120v	13	0.11	16	0.13	21	0.18	29	0.24
277v	13	0.05	16	0.06	21	0.08	29	0.10

†Includes thermal protector, 2w power consumption

### ORDERING INFORMATION:

HOUSING:					REFLECTOR/LED OPTIC:				
Model	Wattage	Lamp Type	Voltage	Options	Model	Aperture Cone/Flange Finish	Beam Spread	Color Temp (CCT-CRI)	Options
E4.75R-A15	13*	LED	120	0-10V - 0-10v 1% dimming	E4.75RDS-A15	SDW - semi-diffuse/white	SP - spot, 15° FL - flood, 25°	27 - 2700-83 30 - 3000-83	SOL - solite lens
	16*		277	HILUME - Lutron HI-lume®EcoSystem 3 wire, 1% dimming		MWW - matte white/white	WF - wide flood, 40°	35 - 3500-83 40 - 4000-83	WET - wet location
	21			DALI - DALI 1% dimming		MBB - matte black/black		229 - 2200-90+ 279 - 2700-90+ 309 - 3000-90+ 359 - 3500-90+	
	29			EM - emergency battery pack with remote test switch (not available for CP or IC/AT options)		SDC - semi-diffuse/clear (flange finish matches cone finish)		3CLA - 3K Class A CRISP - CrispWhite	
	*Title 24 Compliant								
				CP - Chicago Plenum (13W, 16w & 21w only)					
				IC/AT - insulated ceiling, air tight (13W & 16w only)					

Complete Unit Example: E4.75R-A15-29-LED-120/E4.75RDS-A15-MWW-WF-30

Housing Example: E4.75R-A15-29-LED-120

Reflector Example: E4.75RDS-A15-MWW-WF-30

Cat #:

Amerlux reserves the right to change details that do not affect overall function and performance.



# EVOKE®

4.75" ROUND SHALLOW DOWNLIGHT LED

E4.75RDS-A15  
LED



TYPE:



### DIMMING COMPATIBILITY:

Amerlux® fixtures are compatible with all major dimming protocols prevalent in the United States. Please see below for general compatibilities and wiring diagrams. Amerlux recommends testing your unique dimming configuration as the exact full configuration (Dimmer, Fixture Quantity, Voltage, etc) may affect dimming performance.

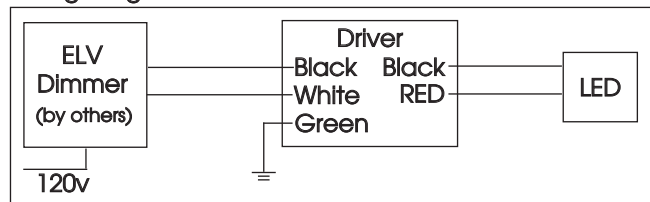
### ELV - Electronic Low Voltage (Reverse Phase) DIMMING (standard)

Utilizes specialized "ELV" dimmers. Best for New Construction applications

#### Notes:

- 120v or 277v
- Dims down to less than 5% light output (most cases)
- Consult Dimming manufacturer for installation Instructions - DO NOT SHARE NEUTRALS!
- Must meet dimmer Minimum Load Requirements

#### Wiring Diagram



#### Compatible Dimmers

##### Wall Box (ELV Style)

Lutron "Diva"  
Lutron "Nova-T"  
Lutron "Maestro"  
Leviton "Surslide"

Lutron "Vareo"  
Lutron "Skylark"  
  
Leviton "Vizio"

##### Central System

ETC "SR" Rack w/ELV10  
Module

ETC "DRD" Rack w/ELV10  
Module

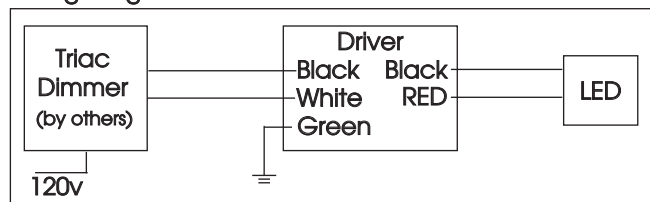
### TRIAC (Forward Phase) DIMMING (standard)

Utilizes "Standard" incandescent dimmers that are in wide use in installations across the US. Best for retrofit applications where Triac dimmers are installed.

#### Notes:

- 120v or 277v
- Dims down to less than 5% light output (most cases)
- Consult Dimming manufacturer for installation Instructions - DO NOT SHARE NEUTRALS!
- Must meet dimmer Minimum Load Requirements per dimming manufacturer

#### Wiring Diagram



#### Compatible Dimmers

##### Wall Box (Incandescent Style, Wattage as required)

Lutron "Diva"  
Lutron "Nova-T"  
Lutron "Maestro"

Lutron "Vareo"  
Lutron "Skylark"

##### Central System

ETC "SR" Rack w/D20  
Module  
Lutron "GP" Panel

ETC "DRD" Rack w/D20  
Module  
Lutron Grafix Eye QS

# EVOKE®

4.75" ROUND SHALLOW DOWNLIGHT LED

E4.75RDS-A15  
LED



TYPE:



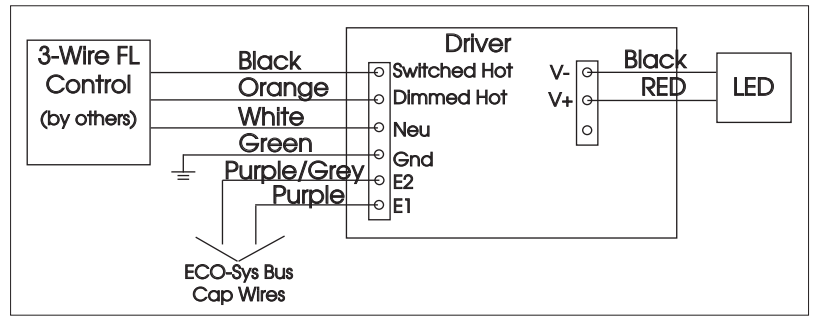
## LUTRON HI-LUME / ECO-SYSTEM (-HILUME Option)

Integrates into a variety of building management and daylighting controls

### Notes:

- 120v or 277v
- Dims down to 1% light output
- May use 3-Wire or Ecosystem Control
- Consult Dimming manufacturer for installation instructions - DO NOT SHARE NEUTRALS!

### 3-Wire Wiring Diagram



### Compatible Dimmers

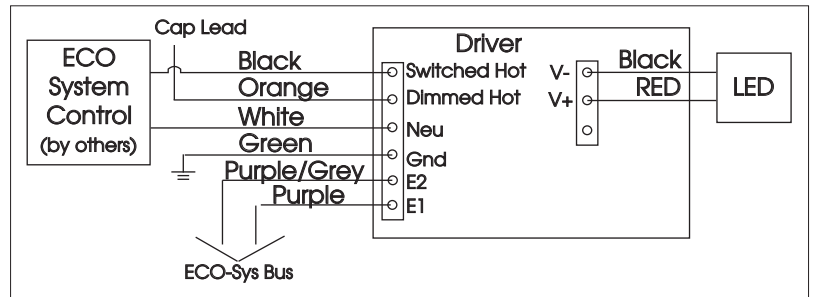
#### Wall Box (3-Wire Fluorescent)

DIVA  
Maestro  
Nova T  
Vareo

#### Central System

Lutron ECO-System compatible controls  
ETC "SR" Rack w/D20F Module  
ETC "DRD" Rack w/D20F Module

### ECO System Digital Control Wiring



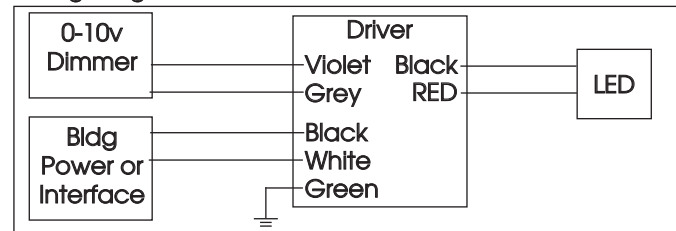
## 0-10V - DIMMING (-0-10V Option)

Integrates into a variety of building management and daylighting controls

### Notes:

- 120v - 277v
- Dims down to 1% light output
- Requires interface to turn off power to driver
- Consult Dimming manufacturer for installation instructions - DO NOT SHARE NEUTRALS!

### Wiring Diagram



### Compatible Dimmers

#### Wall Box

Lutron "Diva" - DVTV with PP-120H Interface

Leviton Renoir II 0-10v

#### Central System

Lutron Grafix Eye with GRX-TVI Interface