

EVOKE®

4.75" ROUND SHALLOW DOWNLIGHT LED

E4.75RDSX-A15
LED

APPLICATION:

Commercial & hospitality ambient lighting

CONSTRUCTION:

20 ga. galvanized steel frame
18 ga. galvanized steel splice housing and hanger brackets
Die-cast aluminum heat sink

OPTICS:

Spun aluminum self-flanged reflector, anodized finish
High reflectance, highly diffuse mixing chamber
LED:

Color Temp: 2200K, 2700K, 3000K, 3500K, 4000K
CRI: 83 (2700K, 3000K, 3500K, 4000K)
90+ (2200K, 2700K, 3000K, 3500K)

R9 Value: 11 (83 CRI), 55 (90+ CRI)

Life: 50,000 hrs

Lumen Maintenance: >70% of initial lumens @ 50,000 hrs

Lumen Output (3000K): up to 3804 lm (est.),
up to 80.5 lm/w (est.)

CBCP (3000K): up to 21,790 (est.)

Beam Options: Spot 15°, Flood 25°, Wide Flood 40°

Optional solite aperture lens


ELECTRICAL:

Electronic constant current LED driver, 120v or 277v input
ELV or Triac dimming standard, 120v or 277v
0-10V, Lutron dimming or DALI driver options available
This product complies with IEEE C62.41 for surge endurance up to 2.5KV. Amerlux® recommends using additional surge protection with this unit (supplied by others), surge damage is not covered by warranty.

MOUNTING:

For use in grid or sheetrock ceilings, max ceiling thickness 1"
Consult factory for other thicknesses
26" Hanger bars included. Consult factory for hanger bars greater than 26"

LABELING:

 approved to UL standard as tested by CSA

Damp location

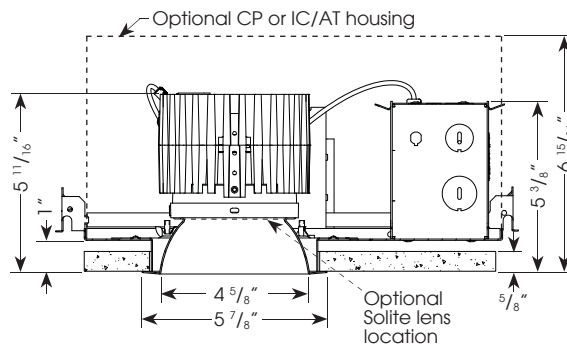
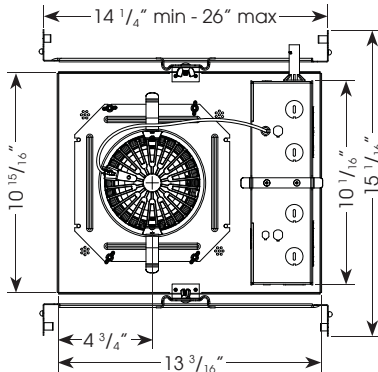
Wet location option (adds clear lens and trim gasket)

IC/AT rated (27w only)



PROJECT:

TYPE:



Ceiling Cut Out Dimension: 5 3/8" dia.



Title 24
Compliant

5 year limited
warranty
AMERLUX LED

(see website for details)

ELECTRICAL

Electronic driver

	27w		36w		42w		48w	
	System Watts	Amps	System Watts	Amps	System Watts	Amps	System Watts	Amps
120v	27	0.23	36	0.30	42	0.35	48	0.42
277v	27	0.10	36	0.13	42	0.15	48	0.18

Includes thermal protector, 2w power consumption

ORDERING INFORMATION:

HOUSING:					REFLECTOR/LED OPTIC:				
Model	Wattage	Lamp Type	Voltage	Options	Model	Aperture Cone/ Flange Finish	Beam Spread	Color Temp (CCT-CRI)	Options
E4.75RX-A15	27*	LED	120	0-10V - 0-10v 1% dimming	E4.75RDSX-A15	SDW - semi-diffuse/ white	SP - spot, 15° FL - flood, 25°	27 - 2700-83 30 - 3000-83	SOL - solite lens
	36*		277	HILUME - Lutron Hi-lume® EcoSystem 3 wire, 1% dimming (42w max)		MWW - matte white/ white	WF - wide flood, 40°	35 - 3500-83 40 - 4000-83	WET - wet location
	42			DALI - DALI 1% dimming (42w max)		MBB - matte black/ black		229 - 2200-90+ 279 - 2700-90+ 309 - 3000-90+ 359 - 3500-90+	
	48			EM - emergency battery pack with remote test switch (not available for CP or IC/AT options)		SDC - semi-diffuse/ clear (flange finish matches cone finish)		3CLA - 3K Class A CRISP - CrispWhite	
	*Title 24 Compliant								
				CP - Chicago Plenum (27w only)					
				IC/AT - insulated ceiling/air tight (27w only)					

Complete Unit Example: E4.75RX-A15-42-LED-120/E4.75RDSX-A15-MWW-WF-30

Housing Example: E4.75RX-A15-42-LED-120

Reflector Example: E4.75RDSX-A15-MWW-WF-30

Cat #:

Amerlux reserves the right to change details that do not affect overall function and performance.



EVOKE®

4.75" ROUND SHALLOW DOWNLIGHT LED

E4.75RDSX-A15
LED



TYPE:



DIMMING COMPATIBILITY:

Amerlux® fixtures are compatible with all major dimming protocols prevalent in the United States. Please see below for general compatibilities and wiring diagrams. Amerlux recommends testing your unique dimming configuration as the exact full configuration (Dimmer, Fixture Quantity, Voltage, etc) may affect dimming performance.

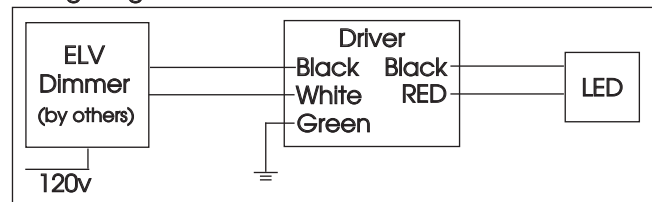
ELV - Electronic Low Voltage (Reverse Phase) DIMMING (standard)

Utilizes specialized "ELV" dimmers. Best for New Construction applications

Notes:

- 120v or 277v
- Dims down to less than 5% light output (most cases)
- Consult Dimming manufacturer for installation Instructions - DO NOT SHARE NEUTRALS!
- Must meet dimmer Minimum Load Requirements

Wiring Diagram



Compatible Dimmers

Wall Box (ELV Style)

Lutron "Diva"
Lutron "Nova-T"
Lutron "Maestro"
Leviton "Surslide"

Lutron "Vareo"
Lutron "Skylark"

Leviton "Vizio"

Central System

ETC "SR" Rack w/ELV10
Module

ETC "DRD" Rack w/ELV10
Module

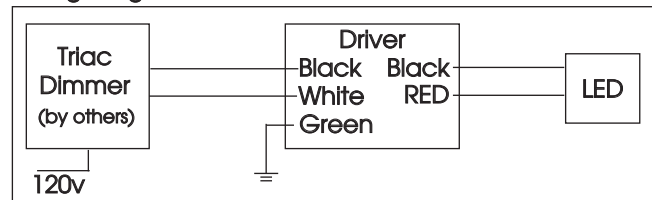
TRIAC (Forward Phase) DIMMING (standard)

Utilizes "Standard" incandescent dimmers that are in wide use in installations across the US. Best for retrofit applications where Triac dimmers are installed.

Notes:

- 120v or 277v
- Dims down to less than 5% light output (most cases)
- Consult Dimming manufacturer for installation Instructions - DO NOT SHARE NEUTRALS!
- Must meet dimmer Minimum Load Requirements per dimming manufacturer

Wiring Diagram



Compatible Dimmers

Wall Box (Incandescent Style, Wattage as required)

Lutron "Diva"
Lutron "Nova-T"
Lutron "Maestro"

Lutron "Vareo"
Lutron "Skylark"

Central System

ETC "SR" Rack w/D20
Module
Lutron "GP" Panel

ETC "DRD" Rack w/D20
Module
Lutron Grafix Eye QS

EVOKE®

4.75" ROUND SHALLOW DOWNLIGHT LED

E4.75RDSX-A15
LED



TYPE:



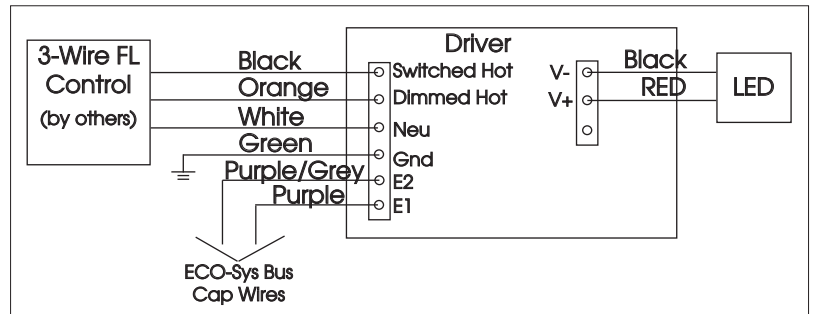
LUTRON HI-LUME / ECO-SYSTEM (-HILUME Option)

Integrates into a variety of building management and daylighting controls

Notes:

- 120v or 277v
- Dims down to 1% light output
- May use 3-Wire or Ecosystem Control
- Consult Dimming manufacturer for installation instructions - DO NOT SHARE NEUTRALS!

3-Wire Wiring Diagram



Compatible Dimmers

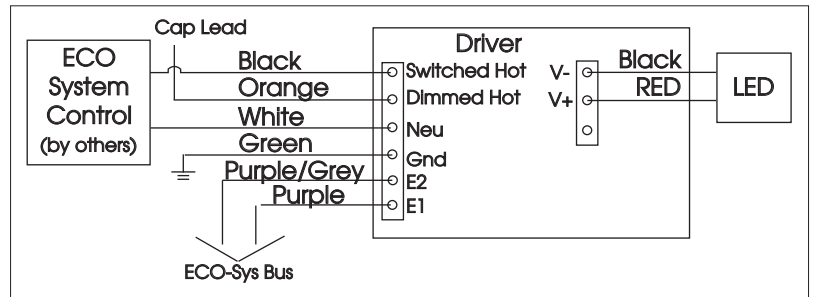
Wall Box (3-Wire Fluorescent)

DIVA
Maestro
Nova T
Vareo

Central System

Lutron ECO-System compatible controls
ETC "SR" Rack w/D20F Module
ETC "DRD" Rack w/D20F Module

ECO System Digital Control Wiring



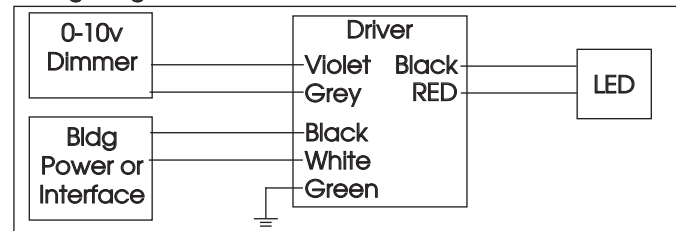
0-10V - DIMMING (-0-10V Option)

Integrates into a variety of building management and daylighting controls

Notes:

- 120v - 277v
- Dims down to 1% light output
- Requires interface to turn off power to driver
- Consult Dimming manufacturer for installation instructions - DO NOT SHARE NEUTRALS!

Wiring Diagram



Compatible Dimmers

Wall Box

Lutron "Diva" - DTV with PP-120H Interface

Leviton Renoir II 0-10v

Central System

Lutron Grafix Eye with GRX-TVI Interface