

# EVOKE® 2.9" HP

## 2.9" ROUND ADJUSTABLE TRIMLESS LED

### APPLICATION:

Commercial and retail accent lighting

### HOUSING CONSTRUCTION:

20 ga. steel painted matte black  
Formed aperture plate with  $\frac{5}{8}$ " lip  
Cast aluminum plaster frame with perforated face  
Integral adjustable locking mounting bars  
Thermally protected

### REFLECTOR TRIM CONSTRUCTION:

Spun aluminum reflector  
Semi-diffuse or specular clear finish

### ELECTRICAL:

Electronic constant current LED driver, 120v or 277v input (voltage specific TP on 18w & 20w)  
ELV and Triac dimming standard, 120v or 277v.  
0-10v, Lutron & DALI systems available. See following pages for more information.

**This product complies with IEEE C62.41 for surge endurance up to 2.5KV. Amerlux® recommends using additional surge protection with this unit (supplied by others), surge damage is not covered by warranty.**

### OPTICS:

Cam adjustment mechanism provides lockable 0-40° tilt; 360°+ rotation  
Available in a variety of beam spreads

### LED:

Color Temp Options: 2200K, 2700K, 3000K, 3500K, 4000K  
CRI: 83 typ. (2700K, 3000K, 3500K, 4000K)  
90+ typ. (2200K, 2700K, 3000K)  
Amerlux Crisp White technology available (18w max)  
R9 Value: 11 (83CRI), 55 (90+CRI)  
Binning: 3 MacAdam (SDCM)  
Life: 50,000 hrs  
Lumen Maintenance: >70% of initial lumens @ 50,000 hrs  
Lumen Output (20w, 20° tilt, 3000K): up to 1086 lm; 55.8 lm/w  
CBCP (20w, 20° tilt, 3000K): up to 6461 max.

### MOUNTING:

For use in sheet rock ceilings, ceiling thickness  $\frac{5}{8}$ "  
Other Ceilings: Consult factory for other ceiling thicknesses or for use in millwork ceilings

### LABELING:



Damp location  
IC/AT rated (11w only)

E2.9RA-HP-A15-TL  
LED

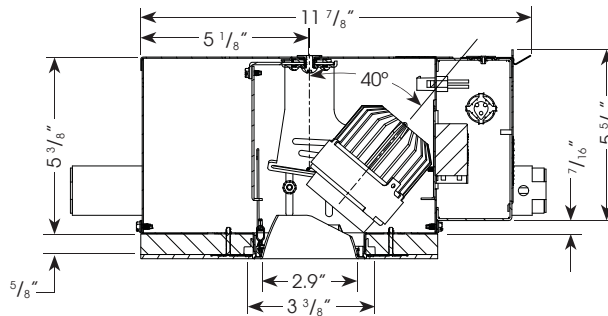
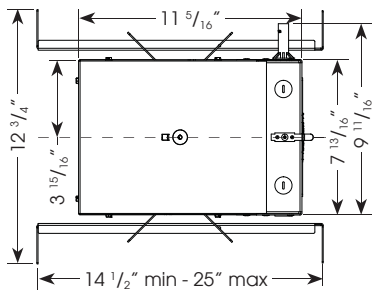


PROJECT:

TYPE:

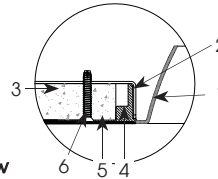


Electrostatic sensitive device,  
observe precautions for  
handling



Ceiling Cut Out Dimension:  $4 \frac{1}{16}$ "

1. Reflector Trim
2. Fixture Housing Aperture Plate
3. Ceiling  $\frac{5}{8}$ " (1" max)
4. Cast Aluminum Plaster Frame
5. Plaster Skim Coat (by others)
6. 6-32 Type F Thread Cutting Screw



### ELECTRICAL

Electronic driver

	11w		18w*		20w*	
	System Watts	Amps	System Watts	Amps	System Watts	Amps
120v	11	0.09	18	0.15	20	0.17
277v	11	0.04	18	0.06	20	0.07

\* 2w thermal protector included on 18w & 20w

### ORDERING INFORMATION:

Housing Model	Wattage	Lamp Type	Voltage	Beam Spread	Color Temp (CCT(K)-CRI)	Options	Reflector Model	Aperture Finish
E2.9RA-HP-A15-TL	11 18 20	LED	120 277	SP - spot, 15° NF - narrow flood, 20° MFL - medium flood, 24° FL - flood, 28° WF - wide flood, 45° VWF - very wide flood, 60° LS - linear spread, 60° x 10°	27 - 2700-83 30 - 3000-83 35 - 3500-83 40 - 4000-83  229 - 2200-90+ 279 - 2700-90+ 309 - 3000-90+  CRISP - CrispWhite (18w max)	HILUME - Lutron Hi-lume® A-series dimming (Ecosystem or 3 wire) 0-10V - 0-10v dimming DALI - DALI driver CP - Chicago Plenum (CCEA) IC/AT - insulated ceiling/air tight (11w only)	E2.9RA-HP-A15-TL	SDC - semi-diffuse clear CLC - specular clear

Complete Unit Specification: E2.9RA-HP-A15-TL-20-LED-120-SP-30/E2.9RA-HP-A15-TL-SDC

Housing Only: E2.9RA-G2-HP-TL-20-LED-120-SP-30

Reflector Only: E2.9RA-G2-HP-TL-SDC

Cat #:

Amerlux® reserves the right to change details that do not affect overall function and performance.

# EVOKE® 2.9" HP

2.9" ROUND ADJUSTABLE TRIMLESS LED

E2.9RA-HP-A15-TL  
LED



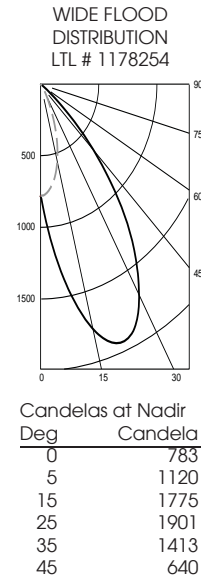
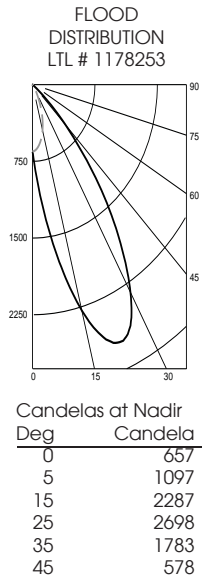
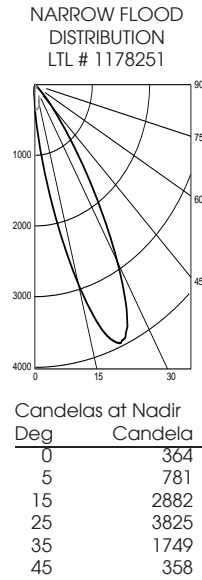
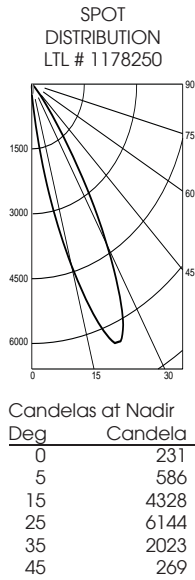
TYPE:



**FIXTURE DATA:** For 11w data, multiply by 0.55; For 18w data, multiply by 0.9

Complete photometric data (ies format) available upon request.

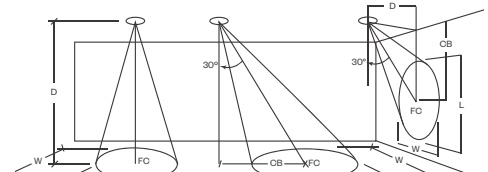
## 20W LED



## APPLICATION DATA:

### Notes and Definitions:

Beam spread is to 50% center beam candlepower (CBCP).  
 D=Distance to floor or wall.  
 FC=Footcandles on floor or wall at center beam aiming location.  
 L=Effective Visual Beam length in feet (50% of maximum footcandle level).  
 W=Effective Visual Beam width in feet (50% of maximum footcandle level).  
 CB=Distance across or down to center beam location.



	20° Aiming Angle Horizontal Footcandles					20° Aiming Angle Vertical Footcandles				
	D	FC	L	W	CB	D	FC	L	W	CB
SPOT	5.0'	228	1.9	2.2	2.0	3.0'	52	4.4	3.0	5.5
	7.5'	98	2.8	3.3	3.0	4.0'	30	5.9	3.8	7.5
	10.0'	54	3.8	4.5	4.0	5.0'	20	7.4	4.7	9.5
	12.5'	35	4.8	5.6	5.0	6.0'	14	8.8	5.5	10.5
NARROW FLOOD	5.0'	126	2.3	3.0	2.0	3.0'	37	4.6	3.4	5.5
	7.5'	56	3.4	4.3	3.0	4.0'	21	6.1	4.6	6.5
	10.0'	32	4.5	5.7	4.0	5.0'	14	7.6	5.6	8.5
	12.5'	20	5.6	7.2	5.0	6.0'	10	9.2	6.7	10.5
FLOOD	5.0'	87	3.0	3.1	2.0	3.0'	33	3.3	4.4	4.5
	7.5'	39	4.5	4.7	3.0	4.0'	20	5.6	4.3	5.5
	10.0'	22	5.9	6.2	4.0	5.0'	13	7.1	5.3	7.5
	12.5'	14	7.4	7.7	4.0	6.0'	9	8.5	6.3	8.5
WIDE FLOOD	5.0'	62	3.6	3.6	2.0	3.0'	26	4.3	3.5	4.5
	7.5'	29	5.2	5.2	2.0	4.0'	16	5.5	4.5	5.5
	10.0'	16	6.8	7.0	3.0	5.0'	11	6.8	5.5	6.5
	12.5'	11	8.6	8.9	4.0	6.0'	8	8.2	6.6	7.5

# EVOKE® 2.9" HP

2.9" ROUND ADJUSTABLE TRIMLESS LED

E2.9RA-HP-A15-TL  
LED



TYPE:



## DIMMING COMPATIBILITY:

Amerlux® fixtures are compatible with all major dimming protocols prevalent in the United States. Please see below for general compatibilities and wiring diagrams. Amerlux® recommends testing your unique dimming configuration as the exact full configuration (Dimmer, Fixture Quantity, Voltage, etc) may affect dimming performance.

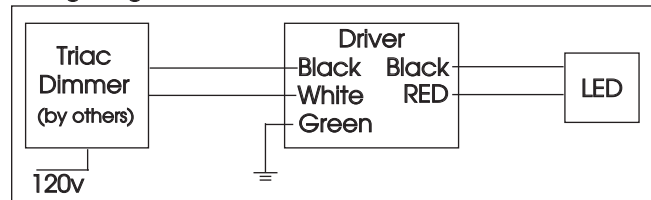
### TRIAC (Forward Phase) DIMMING (standard)

Utilizes "Standard" incandescent dimmers that are in wide use in installations across the US. Best for retrofit applications where Triac dimmers are installed.

#### Notes:

- 120v or 277v
- Dims down to less than 5% light output (most cases)
- Consult Dimming manufacturer for installation instructions - DO NOT SHARE NEUTRALS!
- Must meet dimmer Minimum Load Requirements per dimming manufacturer

#### Wiring Diagram



#### Compatible Dimmers

##### Wall Box (Incandescent Style, Wattage as required)

Lutron "Diva"	Lutron "Vareo"
Lutron "Nova-T"	Lutron "Skylark"
Lutron "Maestro"	

##### Central System

ETC "SR" Rack w/D20 Module	ETC "DRD" Rack w/D20 Module
Lutron "GP" Panel	Lutron Grafix Eye QS

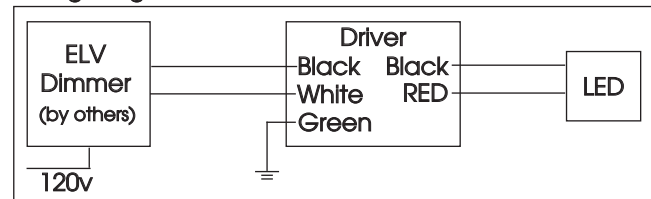
### ELV - Electronic Low Voltage (Reverse Phase) DIMMING (standard)

Utilizes specialized "ELV" dimmers. Best for New Construction applications

#### Notes:

- 120v or 277v
- Dims down to less than 5% light output (most cases)
- Consult Dimming manufacturer for installation instructions - DO NOT SHARE NEUTRALS!
- Must meet dimmer Minimum Load Requirements

#### Wiring Diagram



#### Compatible Dimmers

##### Wall Box (ELV Style)

Lutron "Diva"	Lutron "Vareo"
Lutron "Nova-T"	Lutron "Skylark"
Lutron "Maestro"	
Leviton "Surslide"	Leviton "Vizio"

##### Central System

ETC "SR" Rack w/ELV10 Module	ETC "DRD" Rack w/ELV10 Module
Lutron "GP" Panel with PHPM-PA Interface	Lutron Grafix Eye QS with PHPM-PA Interface

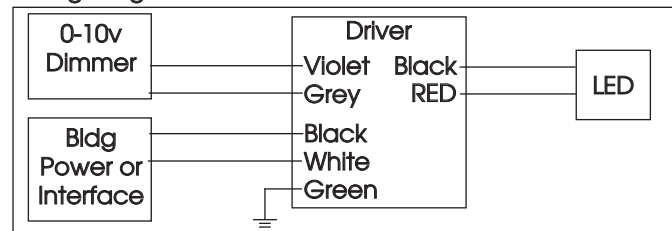
### 0-10V - DIMMING (-0-10V Option)

Integrates into a variety of building management and daylighting controls

#### Notes:

- 120v - 277v
- Dims down to 1% light output
- Requires interface to turn off power to driver
- Consult Dimming manufacturer for installation instructions - DO NOT SHARE NEUTRALS!

#### Wiring Diagram



#### Compatible Dimmers

##### Wall Box

Lutron "Diva" - DVTV with PP-120H Interface	Leviton Renoir II 0-10v
---	-------------------------

##### Central System

Lutron Grafix Eye with GRX-TVI Interface
--

# EVOKE® 2.9" HP

2.9" ROUND ADJUSTABLE TRIMLESS LED

E2.9RA-HP-A15-TL  
LED



TYPE:



## LUTRON HI-LUME / ECO-SYSTEM (-HILUME Option)

Integrates into a variety of building management and daylighting controls

### Notes:

- 120v or 277v
- Dims down to 1% light output
- May use 3-Wire or Ecosystem Control
- Consult Dimming manufacturer for installation instructions - DO NOT SHARE NEUTRALS!

### Compatible Dimmers

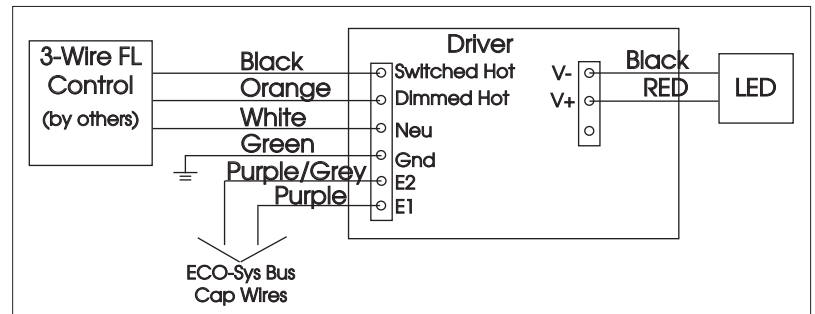
#### Wall Box (3-Wire Fluorescent)

DIVA  
Maestro  
Nova T  
Vareo

#### Central System

Lutron ECO-System compatible controls  
ETC "SR" Rack w/D20F Module  
ETC "DRD" Rack w/D20F Module

### 3-Wire Wiring Diagram



### ECO System Digital Control Wiring

