

# EVOKE® 2.9" HP

## 2.9" ROUND ADJUSTABLE WET LOCATION LED

### APPLICATION:

Commercial and retail ambient and task lighting

### HOUSING CONSTRUCTION:

20 ga. steel painted matte black  
Formed aperture plate with  $\frac{5}{8}$ " lip (GB-standard)  
Integral adjustable locking mounting bars  
Thermally protected

### REFLECTOR TRIM CONSTRUCTION:

Spun aluminum self flanged reflector  
Variety of anodized aperture finishes in both white and clear flange  
Clear glass lens  
Silicone flange gasket

### MOUNTING:

Specify ceiling mounting:  
GRID: 1" deep aperture collar  
GB (Gyp. Board):  $\frac{5}{8}$ " deep aperture collar  
Extra thick ceiling ring available for ceilings over 1" thick, consult factory  
Note: Tilt adjustment reduced to 30° in ceilings  $1\frac{1}{4}$ " thick

### LABELING:



Wet location  
IC/AT rated (11w only)

### OPTICS:

Cam adjustment mechanism provides lockable 0-40° tilt; 360°+ rotation  
Available in a variety of beam spreads  
LED:

Color Temp Options: 2200K, 2700K, 3000K, 3500K, 4000K  
CRI: 83 typ. (2700K, 3000K, 3500K, 4000K)  
90+ typ. (2200K, 2700K, 3000K)  
Amerlux Crisp White technology available (18w max)  
R9 Value: 11 (83CRI), 55 (90+CRI)  
Binning: 3 MacAdam (SDCM)  
Life: 50,000 hrs  
Lumen Maintenance: >70% of initial lumens @ 50,000 hrs

### ELECTRICAL:

Electronic constant current LED driver, 120v or 277v input (voltage specific TP on 18w & 20w)  
ELV and Triac dimming standard, 120v or 277v.  
0-10v, Lutron & DALI systems available. See following pages for more information.

**This product complies with IEEE C62.41 for surge endurance up to 2.5KV. Amerlux® recommends using additional surge protection with this unit (supplied by others), surge damage is not covered by warranty.**

E2.9RASHW-HP-A15  
LED



PROJECT:

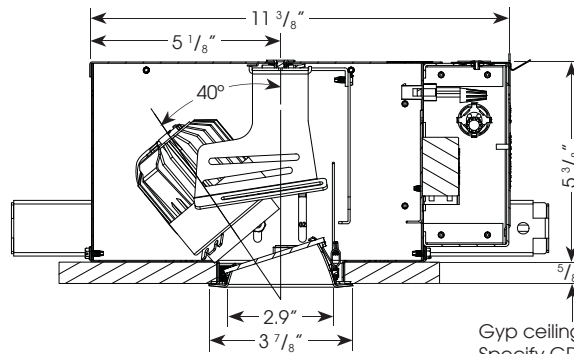
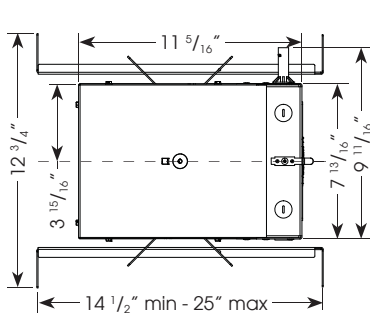
TYPE:



Electrostatic sensitive device,  
observe precautions for  
handling

**5** year limited  
warranty  
AMERLUX LED

(see website for details)



Ceiling Cut Out Dimension:  $3\frac{7}{16}$ "

Gyp ceiling shown.  
Specify GRID for 1" deep aperture collar.

### ELECTRICAL

Electronic driver

	11w		18w*		20w*	
	System Watts	Amps	System Watts	Amps	System Watts	Amps
120v	11	0.09	18	0.15	20	0.17
277v	11	0.04	18	0.06	20	0.07

\* 2w thermal protector included on 18w & 20w

### ORDERING INFORMATION:

Housing Model	Wattage	Lamp Type	Voltage	Beam Spread	Ceiling Mounting	Color Temp (CCT(K)-CRI)	Options	Reflector Model	Aperture Finish
E2.9RA-HP-A15	11	LED	120	SP - spot, 15°	GB - 5/8"	27 - 2700-83	HILUME - Lutron Hi-lume® A-series dimming (Ecosystem or 3 wire) 0-10V - 0-10v dimming DALI - DALI driver CP - Chicago Plenum (CCEA) IC/AT - insulated ceiling/air tight (11w only)	E2.9RASHW-HP-A15	<u>Reflector with White Painted Flange</u> SDW - semi-diffuse CLW - specular clear MWW - matte white
	18			NF - narrow flood, 20°	GRID - 1"	30 - 3000-83			
	20			MFL - medium flood, 24° FL - flood, 28° WF - wide flood, 45°	deep collar deep collar (other, consult factory)	35 - 3500-83 40 - 4000-83			
						229 - 2200-90+ 279 - 2700-90+ 309 - 3000-90+			<u>Reflector with Clear Flange</u> (flange finish matches cone finish) SDC - semi-diffuse CLC - specular clear
						CRISP - CrispWhite (18w max)			

Complete Unit Specification: E2.9RA-HP-A15-18-LED-120-SP-GB-30/E2.9RASHW-HP-A15-SDW

Housing Only: E2.9RA-HP-A15-18-LED-120-SP-GB-30

Reflector Only: E2.9RASHW-HP-A15-SDW

Cat #:

Amerlux® reserves the right to change details that do not affect overall function and performance.

Amerlux®, LLC • 178 Bauer Drive, Oakland, NJ 07436 • P: 973.882.5010 F: 973-882.2605 • www.amerlux.com



# EVOKE® 2.9" HP

2.9" ROUND ADJUSTABLE WET LOCATION LED

E2.9RASHW-HP-A15  
LED



TYPE:



## DIMMING COMPATIBILITY:

Amerlux® fixtures are compatible with all major dimming protocols prevalent in the United States. Please see below for general compatibilities and wiring diagrams. Amerlux® recommends testing your unique dimming configuration as the exact full configuration (Dimmer, Fixture Quantity, Voltage, etc) may affect dimming performance.

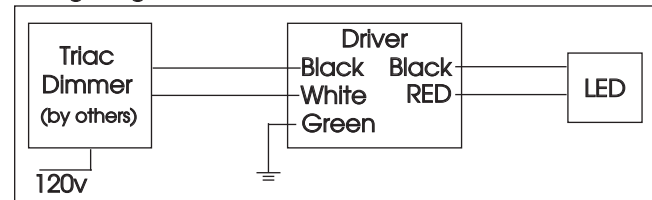
### TRIAC (Forward Phase) DIMMING (standard)

Utilizes "Standard" incandescent dimmers that are in wide use in installations across the US. Best for retrofit applications where Triac dimmers are installed.

#### Notes:

- 120v or 277v
- Dims down to less than 5% light output (most cases)
- Consult Dimming manufacturer for installation instructions - DO NOT SHARE NEUTRALS!
- Must meet dimmer Minimum Load Requirements per dimming manufacturer

#### Wiring Diagram



#### Compatible Dimmers

Wall Box (Incandescent Style, Wattage as required)

Lutron "Diva"  
Lutron "Nova-T"  
Lutron "Maestro"

Lutron "Vareo"  
Lutron "Skylark"

#### Central System

ETC "SR" Rack w/D20 Module  
Lutron "GP" Panel

ETC "DRD" Rack w/D20 Module  
Lutron Grafix Eye QS

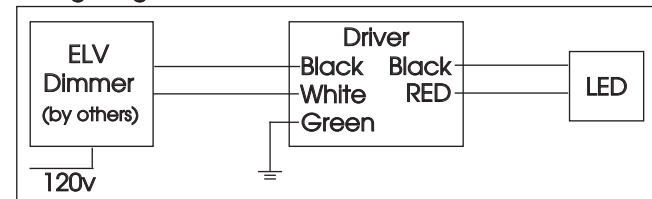
### ELV - Electronic Low Voltage (Reverse Phase) DIMMING (standard)

Utilizes specialized "ELV" dimmers. Best for New Construction applications

#### Notes:

- 120v or 277v
- Dims down to less than 5% light output (most cases)
- Consult Dimming manufacturer for installation instructions - DO NOT SHARE NEUTRALS!
- Must meet dimmer Minimum Load Requirements

#### Wiring Diagram



#### Compatible Dimmers

Wall Box (ELV Style)

Lutron "Diva"  
Lutron "Nova-T"  
Lutron "Maestro"  
Leviton "Surslide"

Lutron "Vareo"  
Lutron "Skylark"  
Leviton "Vizio"

#### Central System

ETC "SR" Rack w/ELV10 Module  
Lutron "GP" Panel with PPHM-PA Interface

ETC "DRD" Rack w/ELV10 Module  
Lutron Grafix Eye QS with PPHM-PA Interface

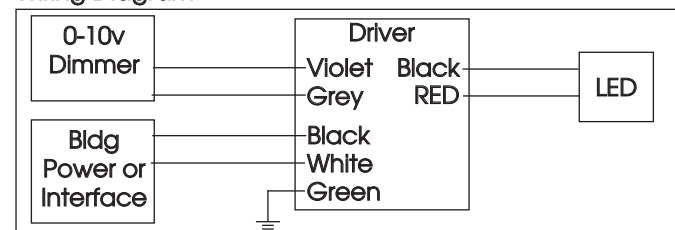
### 0-10V - DIMMING (-0-10V Option)

Integrates into a variety of building management and daylighting controls

#### Notes:

- 120v - 277v
- Dims down to 1% light output
- Requires interface to turn off power to driver
- Consult Dimming manufacturer for installation instructions - DO NOT SHARE NEUTRALS!

#### Wiring Diagram



#### Compatible Dimmers

Wall Box

Lutron "Diva" - DVTV with PP-120H Interface

Leviton Renoir II 0-10v

#### Central System

Lutron Grafix Eye with GRX-TVI Interface

# EVOKE® 2.9" HP

2.9" ROUND ADJUSTABLE WET LOCATION LED

E2.9RASHW-HP-A15  
LED



TYPE:



## LUTRON HI-LUME / ECO-SYSTEM (-HILUME Option)

Integrates into a variety of building management and daylighting controls

### Notes:

- 120v or 277v
- Dims down to 1% light output
- May use 3-Wire or Ecosystem Control
- Consult Dimming manufacturer for installation instructions - DO NOT SHARE NEUTRALS!

### Compatible Dimmers

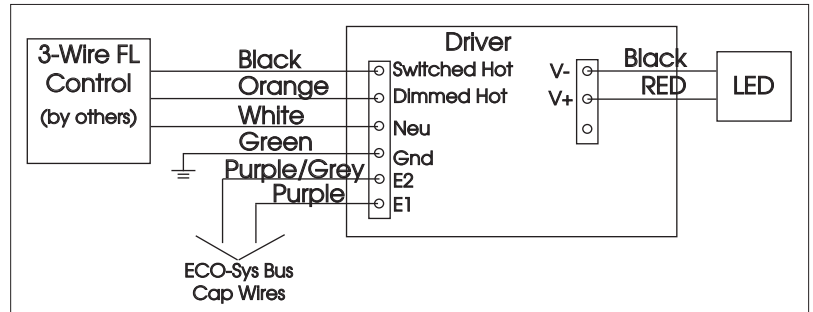
#### Wall Box (3-Wire Fluorescent)

DIVA  
Maestro  
Nova T  
Vareo

#### Central System

Lutron ECO-System compatible controls  
ETC "SR" Rack w/D20F Module  
ETC "DRD" Rack w/D20F Module

### 3-Wire Wiring Diagram



### ECO System Digital Control Wiring

