

EVOKE® SPOT GLOW 12"

LED

APPLICATION:

Commercial ambient/accent lighting
Excellent for video conference room applications

HOUSING CONSTRUCTION:

Steel frame and housing
Internal components are die-formed cold-rolled steel
Laser cut steel ceiling trim

SHIELDING:

Nominal 1/4" white acrylic lens

ELECTRICAL:

Wiring: 2 circuit standard

Ambient: 40w LED array. Electronic, dedicated voltage driver. 120v or 277v, non-dimming standard.

Spot: 13w or 18w LED module. Constant current LED driver, dedicated voltage. 120v or 277v

ELV & Triac dimming standard

This product complies with IEEE C62.41 for surge endurance up to 1KV. Amerlux recommends using additional surge protection with this unit (supplied by others), surge damage is not covered by warranty.

OPTICS:

Ambient: 40w LED

Color Temp Options: 2700K, 3000K, 3500K, 4000K
Life: 50,000 hrs

Lumen Maintenance: >70% of initial lumens @ 50,000 hrs

Spot: 13w or 18w LED

Color Temp Options: 2200K, 2700K, 3000K, 3500K, 4000K
CRI: 83 typ. (2700K, 3000K, 3500K, 4000K)

97 typ. (2200K, 2700K, 3000K)

Optional Amerlux Crisp White technology available

R9 Value: 11 (83CRI), 92 (97CRI)

Binning: 3 MacAdam (SDCM)

Lumen Maintenance: >70% of initial lumens @ 50,000 hrs

Lumen Output (18w, 3000K): Spot = 1191 typ.

MOUNTING:

For use in grid or hard (gyp) ceiling types

Ceiling thickness: 5/8" min - 1 1/4" max

For anything greater consult factory

Frame by Amerlux, ceiling interface by others

LABELING:



pending

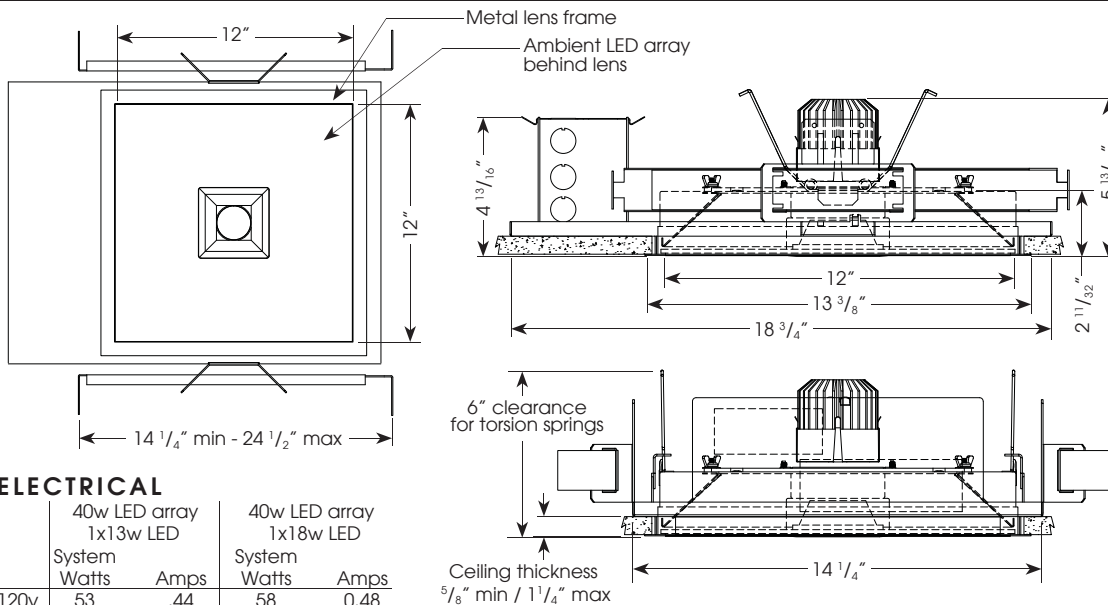
For indoor use only

ESG-A15-12
LED



PROJECT:

TYPE:



ELECTRICAL

	40w LED array 1x13w LED		40w LED array 1x18w LED	
	System Watts	Amps	System Watts	Amps
120v	53	.44	58	0.48
277v	53	.19	58	0.21

ORDERING INFORMATION:

Model	Lens	Ambient Wattage	Lamp Type	Color Temp	Accent Wattage	Lamp Type	Beam Spread	Color Temp	Finish	Voltage	Options/Accessories
ESG-A15	12	40	LED	2700 3000 3500 4000	13 18	LED	SP - spot, 15° NF - narrow flood, 20° MFL - medium flood, 24° FL - flood, 28° WF - wide flood, 45° VWF - very wide flood, 60° LS - linear spread, 60° x 10°	83 CRI 2700 3000 3500 4000 97 CRI 2200-97 2700-97 3000-97	MW - matte white	120 277	Ambient Only HILUME - Lutron Hi-Lume® dimming 0-10v - 0-10v dimming EM - emergency battery pack (consult factory)
								CRISP - Crisp White			

Example: ESG-A15-12-40-LED-3000-13-LED-SP-3000-MW-120

Cat #:

Amerlux reserves the right to change details that do not affect overall function and performance.



(see website for details)

EVOKE® SPOT GLOW 12"

LED

ESG-A15-12
LED



TYPE:

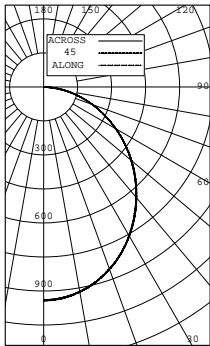


FIXTURE DATA:

Complete photometric data (ies format) available upon request.

GLOW 40W LED ARRAY

LTL# 192243



CANDELA DISTRIBUTION

Deg	Along	22.5	45.0	67.5	Across
0	942	942	942	942	942
5	935	935	937	937	935
15	889	891	892	893	890
25	809	808	811	811	809
35	696	698	700	700	698
45	572	572	573	573	571
55	436	437	438	439	436
65	299	300	299	300	299
75	166	166	166	167	166
85	46	47	46	46	46
90	0	0	0	0	0

COEFFICIENTS OF UTILIZATION

RC	80			
RW	70	50	30	10
RCR				
0	1.19	1.19	1.19	1.19
1	1.10	1.05	1.01	0.97
2	1.00	0.93	0.87	0.81
3	0.92	0.82	0.75	0.69
4	0.85	0.74	0.66	0.59
5	0.78	0.66	0.58	0.51
6	0.72	0.59	0.51	0.45
7	0.66	0.53	0.45	0.39
8	0.62	0.48	0.40	0.35
9	0.57	0.44	0.36	0.30
10	0.53	0.40	0.32	0.27

ZONAL LUMEN SUMMARY

Zone	Lumens	%Luminaire
0-30	713	28.47
0-40	1149	45.89
0-60	1980	79.08
0-90	2504	100.00
40-90	1355	54.11
60-90	524	20.92
90-180	0	0.00
0-180	2504	100.00

Efficacy (lumens/watt) : 76.6

APPLICATION DATA:

GLOW 40W LED ARRAY

12' x 15' space
3 fixtures, 9' mounting height, 4' o.c.
Footcandles at 2.5' AFF

15	18	21	25	28	30	30	28	25	21	18	15
17	20	25	29	33	35	35	33	29	25	20	17
19	23	27	33	37	40	40	37	33	27	23	19
20	24	30	36	41	44	44	41	36	30	24	20
21	26	31	38	43	47	47	43	38	31	26	21
22	27	33	39	45	48	48	45	39	33	27	22
22	27	33	40	46	49	49	46	40	33	27	22
22	27	33	40	46	49	49	46	40	33	27	22
22	27	32	39	45	48	48	45	39	32	27	22
21	26	31	37	43	46	46	43	37	31	26	21
20	24	29	35	40	44	44	40	35	29	24	20
19	22	27	32	37	39	39	37	32	27	22	19
17	20	24	28	32	34	34	32	28	24	20	17
15	18	21	24	27	29	29	27	24	21	18	15
13	15	18	20	23	24	24	23	20	18	15	13