

EVOKE® GLOW 12"

LED

EG-A15-12
LED

APPLICATION:

Commercial ambient/accent lighting
Excellent for video conf. room applications

HOUSING CONSTRUCTION:

Steel frame and housing
Internal components are die-formed cold-rolled steel
Laser cut steel ceiling trim

SHIELDING:

Nominal 1/4" #2067-P95 white acrylic lens

MOUNTING:

For use in grid or hard (gyp) ceiling types
Ceiling thickness: 5/8" min - 1 1/4" max
For anything greater consult factory
Frame by Amerlux, ceiling interface by others

ELECTRICAL:


40w LED array. Electronic, dedicated voltage
120v or 277v, 0-10v standard

This product complies with IEEE C62.41 for surge endurance up to 1KV. Amerlux recommends using additional surge protection with this unit (supplied by others), surge damage is not covered by warranty.

OPTICS:

40w LED array:
Color Temp Options: 2700K, 3000K, 3500K, 4000K
Life: 50,000 hrs
Lumen Maintenance: >70% of initial lumens @ 50,000 hrs

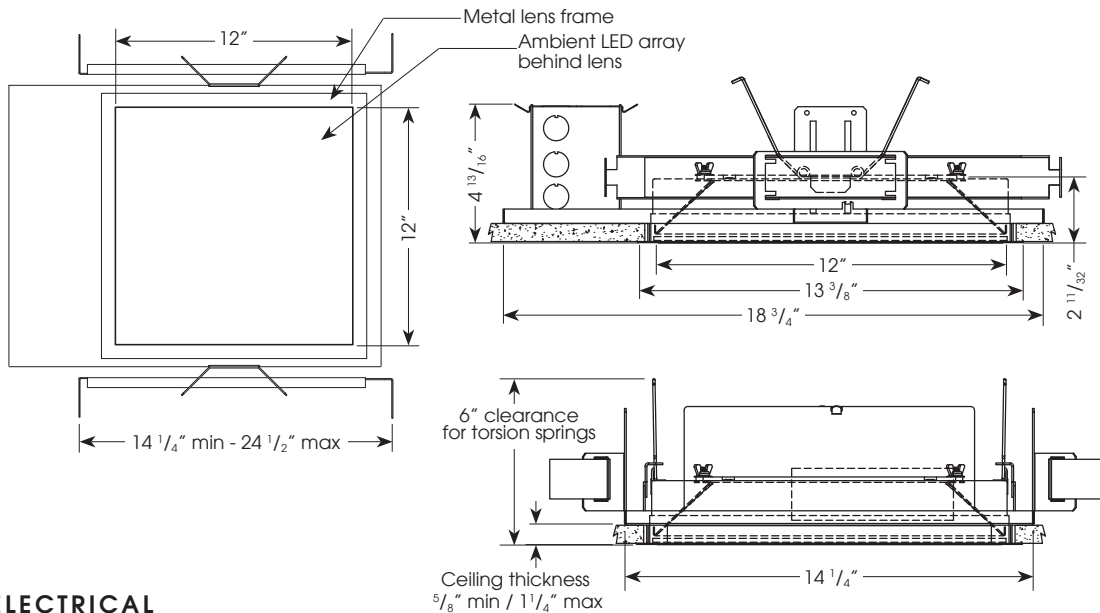
LABELING:

 pending
For indoor use only



PROJECT:

TYPE:



ELECTRICAL

Driver	System	40w LED array	
		Watts	Amps
Electronic	120v	40	.52
	277v	40	.14

ORDERING INFORMATION:

Model	Lens	Wattage	Lamp Type	Finish	Voltage	Color Temp	Options/Accessories
EG-A15	12	40	LED	MW - matte white	120 277	2700 3000 3500 4000	HILUME - Lutron HI-lume® dimming EM - emergency battery pack (consult factory)

10 year limited warranty
AMERLUX LED
(see website for details)

Example: EG-A15-12-40-LED-MW-120-3000

Cat #:

Amerlux reserves the right to change details that do not affect overall function and performance.



EVOKE® GLOW 12"

LED

EG-A15-12
LED



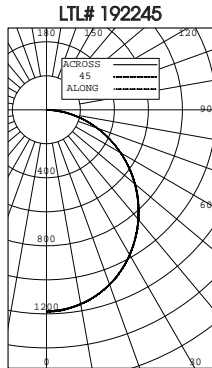
TYPE:



FIXTURE DATA:

Complete photometric data (ies format) available upon request.

40W LED ARRAY 35000K



CANDELA DISTRIBUTION

Deg	Along	22.5	45.0	67.5	Across
0	1187	1187	1187	1187	1187
5	1180	1180	1182	1182	1180
15	1132	1132	1134	1134	1131
25	1043	1041	1044	1043	1041
35	913	915	916	916	914
45	763	763	764	764	762
55	592	594	594	594	592
65	413	412	413	414	411
75	233	232	233	234	232
85	66	66	65	66	65
90	0	0	0	0	0

COEFFICIENTS OF UTILIZATION

RC	80			
RW	70	50	30	10
RCR				
0	1.19	1.19	1.19	1.19
1	1.09	1.05	1.01	0.97
2	1.00	0.93	0.86	0.81
3	0.92	0.82	0.74	0.68
4	0.85	0.73	0.65	0.58
5	0.78	0.65	0.57	0.50
6	0.72	0.59	0.50	0.44
7	0.66	0.53	0.44	0.38
8	0.61	0.48	0.39	0.34
9	0.57	0.44	0.35	0.30
10	0.53	0.40	0.31	0.26

ZONAL LUMEN SUMMARY

Zone	Lumens	%Luminaire
0-30	912	27.39
0-40	1483	44.56
0-60	2601	78.13
0-90	3329	100.00
40-90	1846	55.44
60-90	728	21.87
90-180	0	0.00
0-180	3329	100.00

Efficacy (lumens/watt) : 82.2

APPLICATION DATA:

40W LED ARRAY 3500K

12' x 15' space
3 fixtures, 9' mounting height, 4' o.c.
Footcandles at 2.5' AFF

20	24	28	33	27	29	29	27	23	28	24	20
23	27	32	38	43	46	46	43	38	33	27	23
25	30	36	43	49	52	52	49	43	36	30	25
27	33	39	46	53	57	57	53	46	39	33	27
29	34	41	49	56	60	60	56	49	41	34	29
29	36	43	51	58	63	63	58	51	43	35	29
30	36	44	52	59	64	64	59	52	44	36	30
30	36	43	52	59	64	64	59	52	43	36	30
29	35	43	51	58	62	62	58	51	43	35	29
28	34	41	49	56	60	60	56	49	41	34	28
27	32	39	46	52	56	56	52	46	39	32	27
25	30	35	42	48	51	51	48	42	35	30	25
23	27	32	37	42	45	45	42	37	32	27	23
20	24	28	32	36	38	38	36	32	28	24	20
18	21	24	27	30	32	31	30	27	24	21	18