

MURRO HIGH POWER WALL WASH

VERTICAL TRACK WALL WASH LED

APPLICATION

Wall wash lighting for retail, commercial & hospitality environments

CONSTRUCTION:

Die-cast heatsink
Extruded driver enclosure
No exposed wiring
Powder coat paint

ELECTRICAL:

Electronic constant current LED driver, 120v - 277v input
ELV and Triac dimming standard, 120v or 277v.
See following pages for more information.

This product complies with IEEE C62.41 for surge endurance up to 2.5KV. Amerlux® recommends using additional surge protection with this unit (supplied by others), surge damage is not covered by warranty.

OPTICS:

0-180° tilt, 360° rotation
Wall wash beam spread
LED:

Color Temp Options: 2700K, 3000K, 3500K
CRI: 83 typ. (2700K, 3000K, 3500K, 4000K)
90+ typ. (3000K, 3500K)
Class A 3000K LED available
R9 Values: 11 (83 CRI), 55 (90+ CRI)
Binning: 3 MacAdam
Lumen Maintenance: >70% of initial lumens @ 50,000 hrs
Lumen Output: 4292 lm, 92 lpw

MOUNTING:

Track, canopy, c-clamp and busway
Note: Ceiling mounted track only

LABELING:

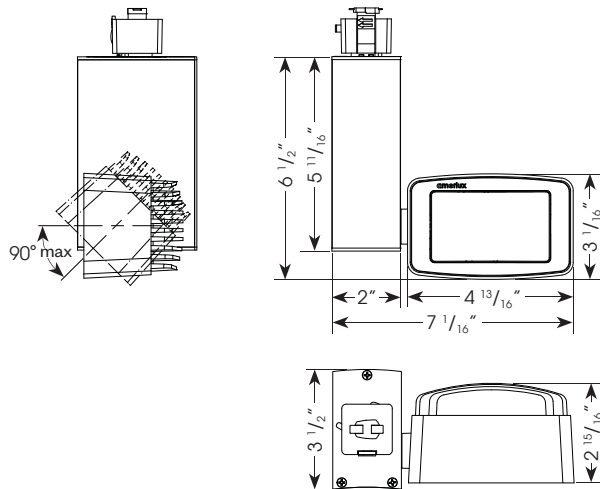


MURV-HP
LED



PROJECT:

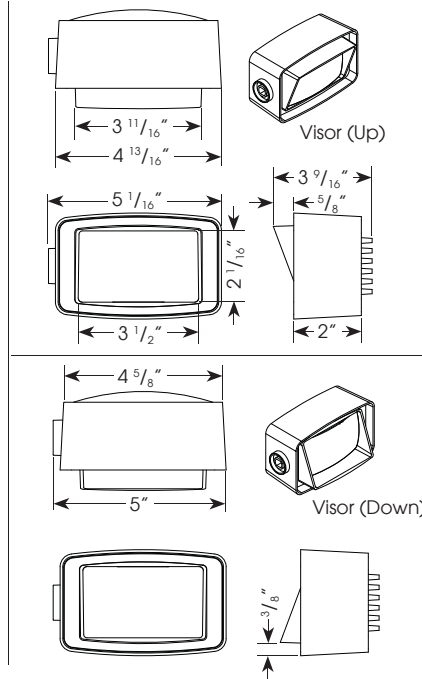
TYPE:



ELECTRICAL

Electronic driver

	47w	
	System Watts	Amps
120v	47	0.39
277v	47	0.17



5 year limited
warranty
AMERLUX LED

(see website for details)

ORDERING INFORMATION:

Model	Wattage	Lamp Type	Finish	Mounting	Voltage	Beam Spread	Color Temp (CCT-CRI)	Options
MURV-HP	47	LED	WT - white texture BT - black texture ST - silver texture — - (other RAL)	TN1 - Global GES 1cir/H-Style, 120v TEK - Global TEK 2cir/2neut, 120v TN3 - Global XTS 3cir, 120v TN2 - Global HTEK 2cir/2neut, 277v CT - J-Style LOL - L-Style CPR - Capri adapter LLAB - Litelab Bus Run, 120V B - busway (compact series B40,B60c only, consult factory for other busway adapters) C - canopy CCL2 - C-clamp with SCP - straight cord, 6' CCP - coil cord, 5'	120 277	WW - wall wash	27 - 2700-83 30 - 3000-83 35 - 3500-83 40 - 4000-83 309 - 3000-90+ 359 - 3500-90+ 3CLA - 3K Class A	VISU - visor up VISD - visor down

Example: MURV-HP-47-LED-WT-TN1-120-WW-30

Cat #:

Amerlux reserves the right to change details that do not affect overall function and performance.

MURRO HIGH POWER WALL WASH

VERTICAL TRACK WALL WASH LED

MURV-HP
LED



TYPE:



FIXTURE DATA:

CCT Correction Factors: 2700-83 = 0.96; 3500-83 = 1.02; 4000-83 = 1.04
3000-90+ = 0.83; 3500-90+ = 0.87

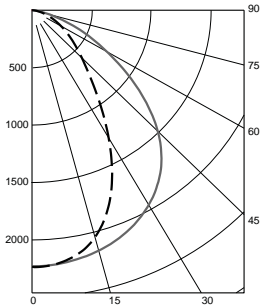
Complete photometric data (.ies format) available upon request.

MURRO LED WALL WASH 47W 3000K

Source: 1 white LED array Lumens: 4292

Track Mounting

LTL# 11226676



ZONAL LUMEN SUMMARY

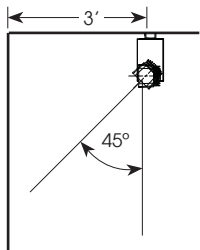
Zone	Lumens	%Fixt
0-40	2509	58.5
0-60	3787	88.2
0-90	4292	100.0
90-180	0	0.00

Efficacy (lm/w = 91.6)

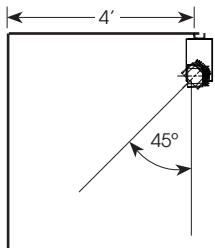
APPLICATION DATA:

Footcandles on Wall

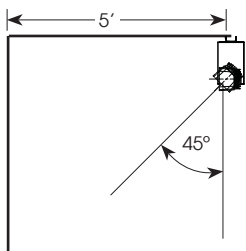
Footcandles are average and rounded off.
Data for multiple units are based on a minimum of five units.



Distance from ceiling	0.5'	1.5'	2.5'	3.5'	4.5'	5.5'	6.5'	7.5'	8.5'
0.5'	114	116	90	67	66	87	114	117	
1.5'	165	167	131	100	98	127	166	168	
2.5'	131	132	115	98	97	113	131	132	
3.5'	89	90	83	78	78	83	90	90	
4.5'	60	60	59	57	57	59	61	61	
5.5'	42	42	42	41	41	42	43	43	
6.5'	30	31	31	30	30	31	32	32	
7.5'	23	23	23	23	23	24	24	24	
8.5'	18	18	18	19	19	19	19	19	



Distance from ceiling	0.5'	1.5'	2.5'	3.5'	4.5'	5.5'	6.5'	7.5'	8.5'
0.5'	62	62	53	42	36	36	42	53	62
1.5'	93	93	79	61	51	51	61	79	93
2.5'	91	91	80	67	58	58	67	80	91
3.5'	72	72	67	60	55	55	60	67	72
4.5'	54	54	52	48	47	47	48	52	54
5.5'	40	40	39	38	37	37	38	39	41
6.5'	31	31	31	30	30	30	30	31	31
7.5'	24	24	24	24	24	24	24	24	25
8.5'	20	20	20	20	19	19	20	20	20



Distance from ceiling	0.5'	1.5'	2.5'	3.5'	4.5'	5.5'	6.5'	7.5'	8.5'
0.5'	42	42	39	35	32	32	35	39	42
1.5'	61	62	56	49	45	45	49	56	62
2.5'	69	69	64	57	53	53	57	64	69
3.5'	62	62	59	55	53	53	55	59	62
4.5'	52	52	51	49	48	48	49	51	52
5.5'	42	42	42	41	41	41	41	42	43
6.5'	34	35	34	34	34	34	34	34	35
7.5'	28	28	28	28	28	28	28	28	28
8.5'	23	23	23	23	23	23	23	24	24

MURRO HIGH POWER WALL WASH

VERTICAL TRACK WALL WASH LED

MURV-HP
LED



TYPE:



DIMMING COMPATIBILITY:

Amerlux® “Murro LED” track head is compatible with TRIAC and ELV dimming protocols prevalent in the United States. Please see below for general compatibilities and wiring diagrams. Amerlux recommends testing your unique dimming configuration as the exact full configuration (Dimmer, Fixture Quantity, Voltage, etc) may affect dimming performance.

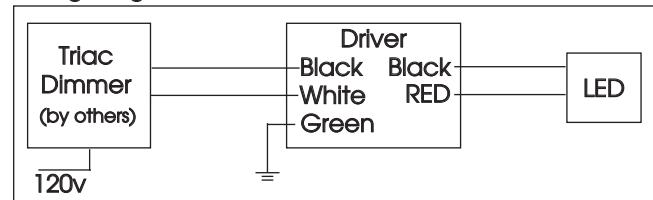
TRIAC (Forward Phase) DIMMING (standard)

Utilizes “Standard” incandescent dimmers that are in wide use in installations across the US. Best for retrofit applications where Triac dimmers are installed.

Notes:

- 120v or 277v
- Dims down to less than 5% light output (most cases)
- Consult Dimming manufacturer for installation instructions - DO NOT SHARE NEUTRALS!
- Must meet dimmer Minimum Load Requirements per dimming manufacturer

Wiring Diagram



Compatible Dimmers

Wall Box (Incandescent Style, Wattage as required)

Lutron “Diva”
Lutron “Nova-T”
Lutron “Maestro”

Lutron “Vareo”
Lutron “Skylark”

Central System

ETC “SR” Rack w/D20 Module
Lutron “GP” Panel

ETC “DRD” Rack w/D20 Module
Lutron Grafix Eye QS

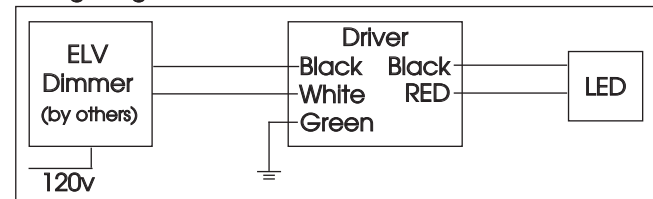
ELV - Electronic Low Voltage (Reverse Phase) DIMMING (standard)

Utilizes specialized “ELV” dimmers. Best for New Construction applications

Notes:

- 120v or 277v
- Dims down to less than 5% light output (most cases)
- Consult Dimming manufacturer for installation instructions - DO NOT SHARE NEUTRALS!
- Must meet dimmer Minimum Load Requirements

Wiring Diagram



Compatible Dimmers

Wall Box (ELV Style)

Lutron “Diva”
Lutron “Nova-T”
Lutron “Maestro”
Leviton “Surslide”

Lutron “Vareo”
Lutron “Skylark”
Leviton “Vizio”

Central System

ETC “SR” Rack w/ELV10 Module
Lutron “GP” Panel with PHPM-PA Interface

ETC “DRD” Rack w/ELV10 Module
Lutron Grafix Eye QS with PHPM-PA Interface