

CLASSIX 6" ROUND LENSED WW

6" ROUND LENSED WALL WASH RECESSED LED

CLX-HP-RLW6
LED

APPLICATION:

Commercial & hospitality wall wash lighting

CONSTRUCTION:

20 ga. galvanized steel frame
18 ga. galvanized steel splice housing and hanger brackets
Passive cooling
Extruded aluminum heat sink

ELECTRICAL:

Electronic constant current LED driver, 120v or 277v input
0-10v dimming standard, 120v or 277v

This product complies with IEEE C62.41 for surge endurance up to 2.5KV. Amerlux® recommends using additional surge protection with this unit (supplied by others), surge damage is not covered by warranty.

MOUNTING:

For use in T-grid or sheet rock ceilings
Hanger bars included. Consult factory for hanger bars greater than 26"

OPTICS:

Engineered nano technology lens provides transmission while concealing LED image
Spun aluminum semi-diffuse aperture cone
Wall wash beam distribution
LED:

Color Temp Options: 2700K, 3000K, 3500K

CRI: 83 typ. (2700K, 3000K, 3500K)

90+ typ. (2700K, 3000K, 3500K)

Class A 3000K available

R9 Values: 11 (83CRI), 55 (90+CRI)

Binning: 3 macAdam

Life: 50,000 hrs

Lumen Maintenance: >70% of initial lumens @ 50,000 hrs

Lumen Output (3000K): up to 4131 lm, up to 55.4 lpw

LABELING:



approved to UL standards as tested by CSA

Damp location

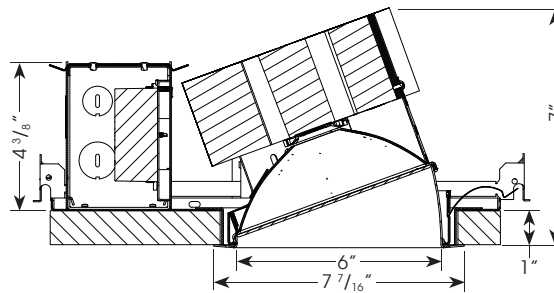
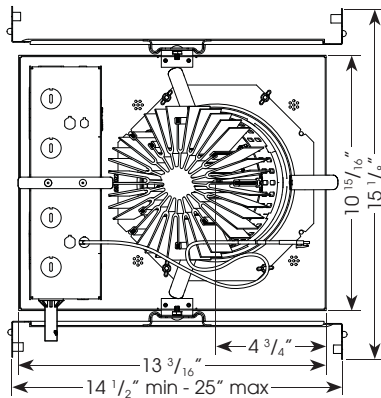


PROJECT:

TYPE:



Electrostatic sensitive device,
observe precautions for
handling



ceiling Cut Out Dimension: 7" dia.

ELECTRICAL

Electronic driver

	73w	
	Watts	Amps
120v	73	0.61
277v	73	0.26

ORDERING INFORMATION:

HOUSING:					REFLECTOR/LED OPTIC:		Color Temp (CCT(K)-CRI)
Model	Wattage	Lamp Type	Voltage	Options	Model	Aperture Finish	
CLX-HP-R6	73	LED	120 277	0-10V - 0-10v dimming standard	CLX-HP-RLW6	<u>Reflector with white painted flange</u> SDW - semi-diffuse white <u>Reflector with clear flange</u> (flange finish matches cone finish) SDC - semi-diffuse clear	27 - 2700-83 30 - 3000-83 35 - 3500-83 279 - 2700-90+ 309 - 3000-90+ 359 - 3500-90+ 3CLA - 3K Class A

Complete Unit Example: CLX-HP-R6-73-LED-120/CLX-HP-RLW6-SDW-30

Housing Example: CLX-HP-R6-73-LED-120

Reflector Example: CLX-HP-RLW6-SDW-30

Cat #:

Amerlux® reserves the right to change details that do not affect overall function and performance.



5 year limited
warranty
AMERLUX LED

(see website for details)

CLASSIX 6" ROUND LENSED WW

6" ROUND LENSED WALL WASH RECESSED LED

CLX-HP-RLW6
LED



TYPE:



FIXTURE DATA:

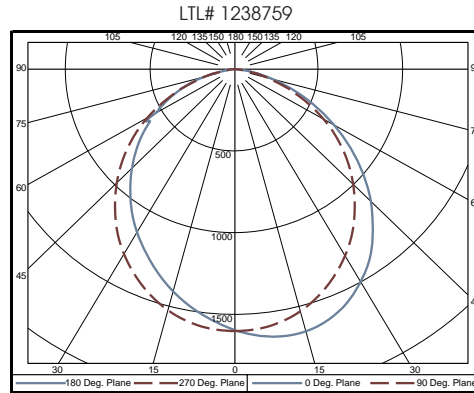
Complete photometric data (.ies format) available upon request.

Classix 6" Round Lens Wall Washer 73w LED
Source: 1 white LED Source Lumens: 4131
Recessed

ZONAL LUMEN SUMMARY

Zone	Lumens	%Fixt
0-40	1990	48.2
0-60	3417	82.7
0-90	4131	100.0
90-180	0	0.0

Efficacy: 55.4 lm/w



APPLICATION DATA:

73W LED

Footcandles on Wall

Footcandles are average and rounded off.
Data for multiple units are based on a minimum of five units.

3 Feet From Wall

Distance from ceiling	← 4' →				← 4' →				
	20	17	16	17	20	17	16	17	20
0.5'	62	56	52	56	62	56	52	56	62
1.5'	75	72	69	72	76	72	69	72	75
2.5'	68	66	65	66	69	66	65	66	68
3.5'	55	55	55	56	57	56	55	55	56
4.5'	44	45	46	46	46	46	46	45	44
5.5'	36	37	37	38	38	38	37	37	37
6.5'	30	31	31	31	32	31	31	31	30
7.5'	26	26	27	27	27	27	27	26	26
8.5'									

CLASSIX 6" ROUND LENSED WW

6" ROUND LENSED WALL WASH RECESSED LED

CLX-HP-RLW6
LED



TYPE:



DIMMING COMPATIBILITY:

Amerlux® fixtures are compatible with all major dimming protocols prevalent in the United States. Please see below for general compatibilities and wiring diagrams. Amerlux recommends testing your unique dimming configuration as the exact full configuration (Dimmer, Fixture Quantity, Voltage, etc) may affect dimming performance.

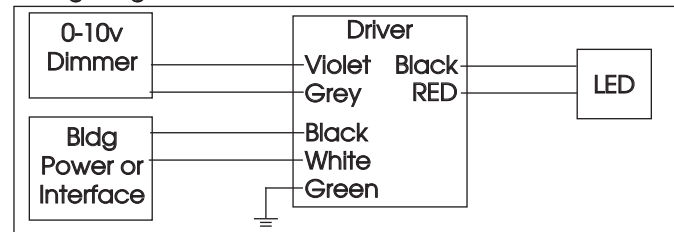
0-10V - DIMMING (-0-10V Option)

Integrates into a variety of building management and daylighting controls

Notes:

- 120v - 277v
- Dims down to 1% light output
- Requires interface to turn off power to driver
- Consult Dimming manufacturer for installation instructions - DO NOT SHARE NEUTRALS!

Wiring Diagram



Compatible Dimmers

Wall Box

Lutron "Diva" - DTV with PP-120H Interface

Leviton Renoir II 0-10v

Central System

Lutron Grafix Eye with GRX-TVI Interface