

CLASSIX 6" DOWNLIGHT

6" ROUND DOWNLIGHT, HIGH POWER LED

CLX-HP-RD6
LED



APPLICATION:

Retail, commercial & hospitality ambient lighting

CONSTRUCTION:

20 ga. galvanized steel frame
18 ga. galvanized steel splice housing and hanger brackets
Passive cooling
Extruded aluminum heat sink

ELECTRICAL:

Electronic constant current LED driver, 120v or 277v input
0-10v dimming standard, 120v or 277v

This product complies with IEEE C62.41 for surge endurance up to 2.5KV. Amerlux® recommends using additional surge protection with this unit (supplied by others), surge damage is not covered by warranty.

MOUNTING:

For use in T-grid or sheet rock ceilings
Hanger bars included. Consult factory for hanger bars greater than 26"

OPTICS:

Spun aluminum semi-diffuse aperture cone
Spun aluminum upper reflector
LED:

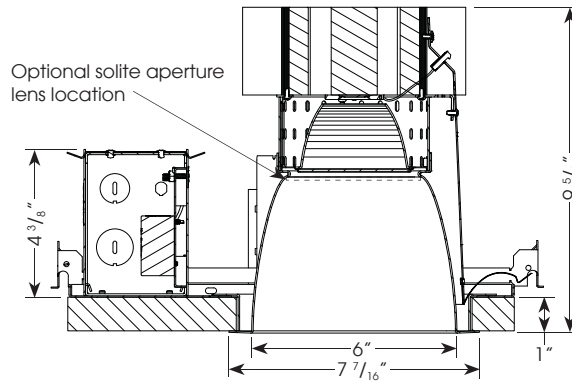
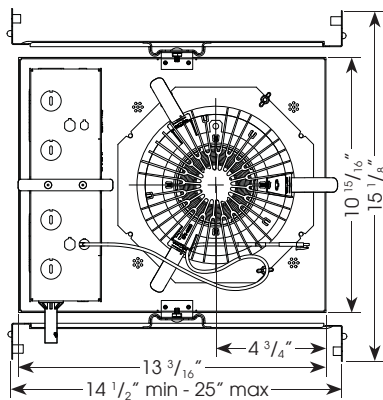
Color Temp Options: 2700K, 3000K, 3500K
CRI: 83 typ. (2700K, 3000K, 3500K)
90+ typ. (2700K, 3000K, 3500K)
Class A 3000K available
R9 Values: 11 (83CRI), 55 (90+CRI)
Binning: 3 MacAdam
Life: 50,000 hrs
Lumen Maintenance: >70% of initial lumens @ 50,000 hrs
Lumen Output (3000K): up to 5412 lm; up to 74.2 lpw
CBCP (3000K): up to 21,245 (NF)
Beam Options: Spot 22°, Flood 32°, Wide Flood 44°, Very Wide Flood, 47°

LABELING:

approved to UL standards as tested by CSA
c US
Damp location

PROJECT:

TYPE:



Ceiling Cut Out Dimension: 7" dia.



(see website for details)

ELECTRICAL

Electronic driver		
73w		
System		
	Watts	Amps
120v	73	0.61
277v	73	0.26

ORDERING INFORMATION:

HOUSING:					REFLECTOR/LED OPTIC:				
Model	Wattage	Lamp Type	Voltage	Options	Model	Aperture Finish	Beam Spread	Color Temp (CCT-CRI)	Options
CLX-HP-R6	73	LED	120 277	0-10V - 0-10v 1% dimming standard EM - emergency battery pack with remote test switch (350lm)	CLX-HP-RD6	Reflector with white painted flange SDW - semi-diffuse white Reflector with clear flange (flange finish matches cone finish) SDC - semi-diffuse clear	SP - spot, 22° FL - flood, 32° WF - wide flood, 44° VWF - very wide flood, 47°	27 - 2700-83 30 - 3000-83 35 - 3500-83 279 - 2700-90+ 309 - 3000-90+ 359 - 3500-90+ 3CLA - 3K Class A	SOL - solite aperture lens

Complete Unit Example: CLX-HP-R6-73-LED-120/CLX-HP-RD6-SDW-WF-30
Housing Example: CLX-HP-R6-73-LED-120
Reflector Example: CLX-HP-RD6-SDW-WF-30

Cat #:

Amerlux reserves the right to change details that do not affect overall function and performance.



CLASSIX 6" DOWNLIGHT

6" ROUND DOWNLIGHT, HIGH POWER LED

CLX-HP-RD6
LED



TYPE:



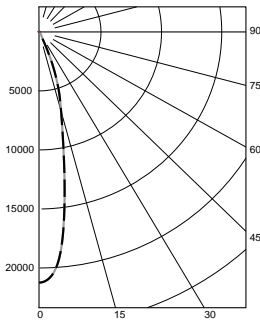
FIXTURE DATA:

Complete photometric data (ies format) available upon request.

73W LED

SPOT
DISTRIBUTION
LTL # 1237691

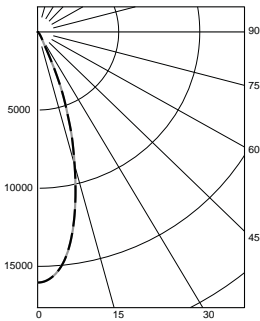
Lumen Output
4751 lm; 65.2 lm/w



Candelas at Nadir	
Deg	Candela
0	21240
5	19280
15	7193
25	1297
35	316
45	120

FLOOD
DISTRIBUTION
LTL # 1237693

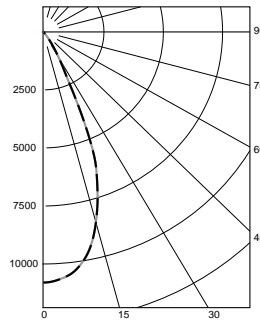
Lumen Output
5095 lm; 69.9 lm/w



Candelas at Nadir	
Deg	Candela
0	16030
5	15260
15	8858
25	1670
35	321
45	114

WIDE FLOOD
DISTRIBUTION
LTL # 1237695

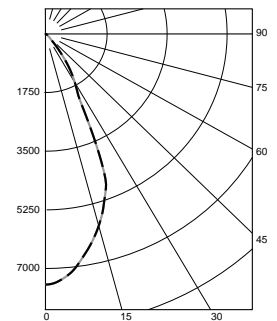
Lumen Output
5412 lm; 74.2 lm/w



Candelas at Nadir	
Deg	Candela
0	10800
5	10600
15	8433
25	3163
35	595
45	115

VERY WIDE FLOOD
DISTRIBUTION
LTL # 1237697

Lumen Output
4599 lm; 62.9 lm/w

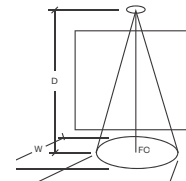


Candelas at Nadir	
Deg	Candela
0	7480
5	7232
15	5891
25	2817
35	1040
45	188

APPLICATION DATA:

Notes and Definitions:

Beam spread is to 50% center beam candlepower (CBCP).
 D=Distance to floor or wall.
 FC=Footcandles on floor or wall at center beam aiming location.
 L=Effective Visual Beam length in feet (50% of maximum footcandle level).
 W=Effective Visual Beam width in feet (50% of maximum footcandle level).
 CB=Distance across or down to center beam location.



	D	FC	L	W
SPOT	5.0'	852	1.9	1.9
	7.5'	379	3.1	3.1
	10.0'	213	3.8	3.8
	12.5'	137	4.9	4.9
FLOOD	5.0'	643	2.8	2.8
	7.5'	286	4.0	4.0
	10.0'	161	5.4	5.4
	12.5'	104	6.7	6.7
WIDE FLOOD	5.0'	434	3.6	3.6
	7.5'	193	5.4	5.4
	10.0'	109	7.2	7.2
	12.5'	70	9.0	9.0
VERY WIDE FLOOD	5.0'	300	3.9	3.9
	7.5'	134	5.8	5.8
	10.0'	76	7.9	7.9
	12.5'	49	9.8	9.8

CLASSIX 6" DOWNLIGHT

6" ROUND DOWNLIGHT, HIGH POWER LED

CLX-HP-RD6
LED



TYPE:



DIMMING COMPATIBILITY:

Amerlux® fixtures are compatible with all major dimming protocols prevalent in the United States. Please see below for general compatibilities and wiring diagrams. Amerlux recommends testing your unique dimming configuration as the exact full configuration (Dimmer, Fixture Quantity, Voltage, etc) may affect dimming performance.

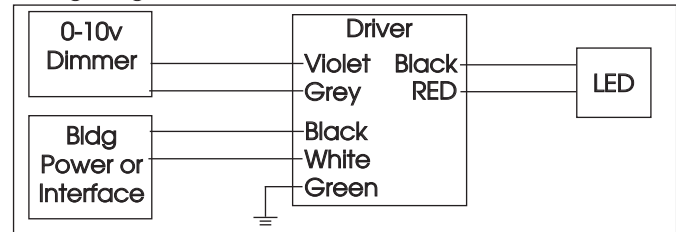
0-10V - DIMMING (-0-10V (Standard))

Integrates into a variety of building management and daylighting controls

Notes:

- 120v - 277v
- Dims down to 1% light output
- Requires interface to turn off power to driver
- Consult Dimming manufacturer for installation instructions - DO NOT SHARE NEUTRALS!

Wiring Diagram



Compatible Dimmers

Wall Box

Lutron "Diva" - DDTV with PP-120H Interface

Leviton Renoir II 0-10v

Central System

Lutron Grafix Eye with GRX-TVI Interface