

Cynch

Accent/Pendant Round



Accent

Features

Cynch creates visual ambience in hotels, restaurants, and retail environments. Clean, compact styling ensures it looks good in any environment. Cynch's magnetic connection gives it the ability to switch from accent to pendant in the field; a simple pull disconnects the mechanical and electrical connection. Cynch is easy to maintain and available in many styles. It's accent lighting in a Cynch.

Product Overview

Type:	Recessed Round, Accent, Pendant & Task
Wattage:	7
Lumen Output:	451 max; 63.3 lm/W (Spot optic)
CBCP:	4861 max (Spot optic)
Color Temp:	2700K, 3000K, 3500K, 4000K
CRI:	83 typ. (2700K, 3000K, 3500K, 4000K) 90+ typ. (2700K, 3000K)
Drivers:	ELV dimming, 120V only 0-10V dimming; 1% dim DALI - EdoLED; 1% dim

PROJECT:



Pendant

TYPE:

Fixture Type

Round	New Construction
Yes	Yes

Performance Chart

Watts	Delivered Lumens	LPW	CBCP	Color Temp
7	451	63.3	4861	3000K-83

Data is "per head" and is based on Spot optic
See page 7 for other beam spreads

Electrical Data

	7w	
	System Watts	Amps
120V	7	0.06
277V	7	0.03

PROJECT:

TYPE:

Frame Ordering Information

CNH-R-FRAME . 7 . _____
1 **2** **3** **4**

Frame

- 1** Model
CNH-R-FRAME
- 2** Wattage
7
- 3** Voltage
120
277
- 4** Drivers
ELV - ELV dimming, 120V only
0-10V - 0-10V dimming, 1% dim
DALI - EldoLED, 1% dim

Trim Ordering Information

CNH-FMR-TRIM . _____
1 **2**

Trim

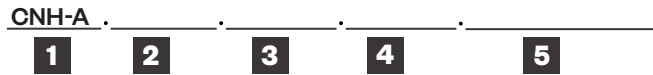
- 1** Model
CNH-FMR-TRIM
- 2** Finish (for housing, head & trim)
MW - matte white
MB - matte black
SLV - matte silver

Note: See next page to order Accent Heads or Pendant Heads

PROJECT:

TYPE:

Accent Head Ordering Information



Accent Head

- | | |
|--|---|
| <p>1 <u>Model</u>
CNH-A (Accent)</p> <p>2 <u>Finish</u>
MW - matte white
MB - matte black
SLV - matte silver</p> <p>3 <u>Beam Spreads</u>
SP - spot, 13°
NF - narrow flood, 18°
FL - flood, 28°</p> | <p>4 <u>Color Temp</u>
83 CRI 90+CRI
27 - 2700K 279 - 2700K-90+
30 - 3000K 309 - 3000K-90+
35 - 3500K
40 - 4000K</p> <p>5 <u>Options/Accessories</u>
AH - accessory holder
HEX - hexocell louver (requires AH)</p> |
|--|---|

Pendant Head Ordering Information



Pendant Head

- | | |
|---|---|
| <p>1 <u>Model</u>
CNH-P (Pendant)</p> <p>2 <u>Finish</u>
MW - matte white
MB - matte black
SLV - matte silver</p> <p>3 <u>Length</u> (field outtable; consult factory for other lengths)
5 - 5'
10 - 10'</p> <p>4 <u>Beam Spreads</u>
SP - spot, 13°
NF - narrow flood, 18°
FL - flood, 28°</p> | <p>5 <u>Color Temp</u>
83 CRI 90+CRI
27 - 2700K 279 - 2700K-90+
30 - 3000K 309 - 3000K-90+
35 - 3500K
40 - 4000K</p> <p>6 <u>Options/Accessories</u>
AH - accessory holder
HEX - hexocell louver (requires AH)</p> |
|---|---|

Note: See previous page to order Frame and Trim

PROJECT:

TYPE:

Specifications

Application

Hospitality and retail task lighting

Construction

Stamped steel mounting frame with integral mounting bars
Steel driver housing
Steel laser cut trim ring
Complete die-cast optical head construction
No exposed wiring

Optical

Tilt: 0-90° (for accent head)
Rotation: 360°+ (for accent head)
Beam Spreads:
Spot, 13°
Narrow Flood, 18°
Flood, 28°

LED

Color Temp Options:
2700K, 3000K, 3500K, 4000K
CRI: 83 typ. (2700K, 3000K, 3500K, 4000K)
90+ typ. (2700K, 3000K)
R9 Values: 7 (83 CRI), 77 (90+ CRI)
Binning: 3 MacAdam (SDCM)
Life: 50,000+ hrs, > 70% of initial lumens at 50,000 hrs

Electrical

Wattage: 7
Electronic constant current LED driver, 120V/277V input
This product complies with IEEE C62.41 for surge endurance up to 2.5KV. Amerlux® recommends using additional surge protection with this unit (supplied by others), surge and over voltage damage is not covered under warranty.

Drivers

ELV - ELV dimming, 120V only
0-10V and DALI systems also available
See pages 7-8 for more driver information

Finish

Powder coat paint, matte white, matte black or matte silver

Mounting

For use in T-Grid or GB ceilings; max ceiling thickness 1"
Consult Factory for thicker ceilings
Adjustable hanger bars included (14 1/2" - 26" std.)
(32"-48" Adjustable hanger bars available, consult factory)

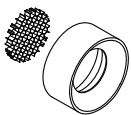
Certifications

CSA listed to UL standards. Suitable for damp locations
Indoor use only

Warranty

5 year limited warranty

Accessories (diagrams show installation order)

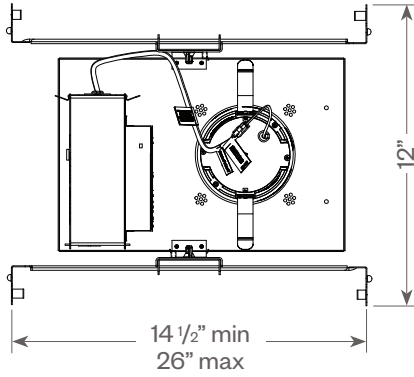


Accessory holder, hexcell louver

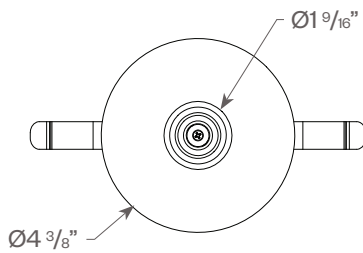
PROJECT:

TYPE:

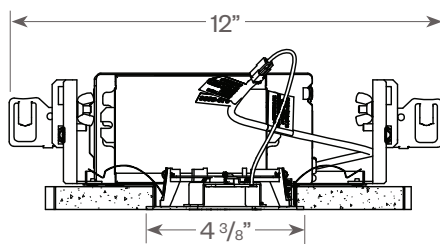
Cynch: Round Flush Mount



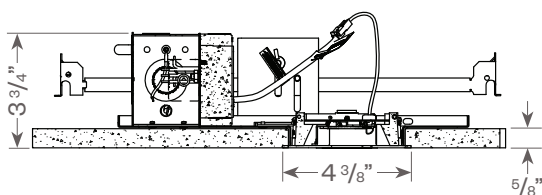
Ceiling cut out: 4" dia.



End View



Side View

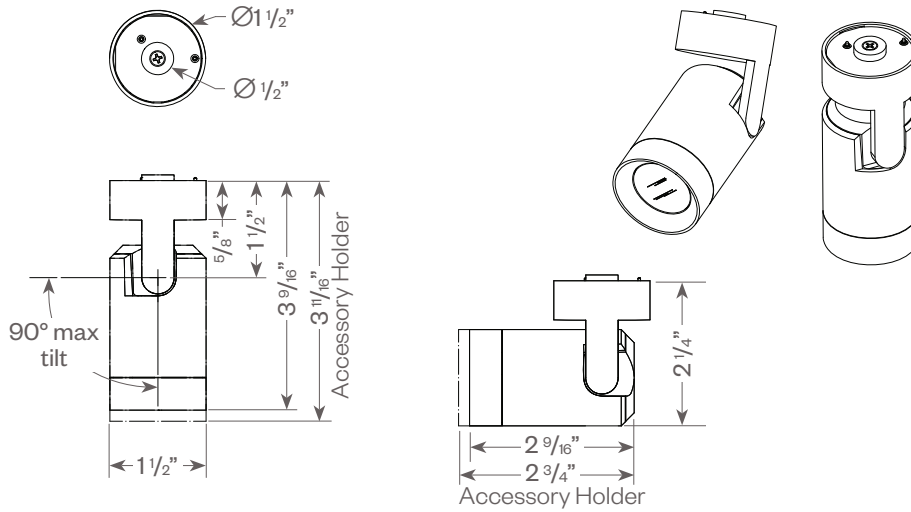


PROJECT:

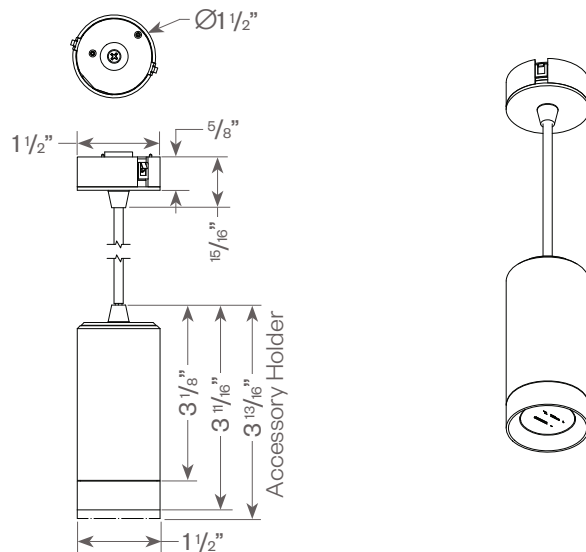
TYPE:

Cynch Fixture Types: Accent or Pendant

Accent



Pendant



PROJECT:

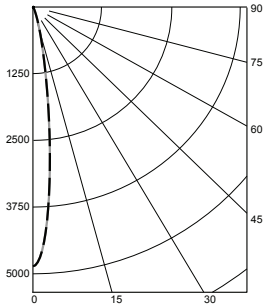
TYPE:

FIXTURE DATA: (Complete photometric data (.ies format) available upon request)

MULTIPLYING FACTORS: (Multiplying Factor is based on 3000K-83 120V IES file on website)

CCT:	2700K-83	3000K-83	3500K-83	4000K-83	2700K-90+	3000K-90+	CRISP
Factor:	0.96	1.0	1.02	1.04	0.80	0.83	0.65

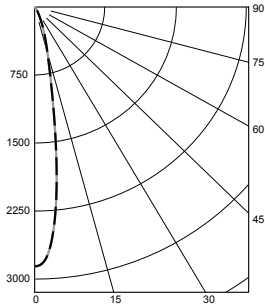
Spot (SP) Distribution, 13°
LTL #1274675
Lumens: 451



Candelas at Nadir

Deg	Candela
0	4861
5	3303
15	444
25	63
35	22
45	14

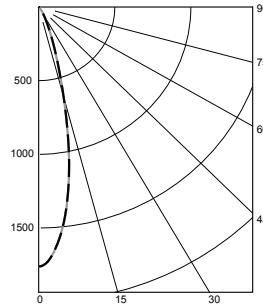
Narrow Flood (NF) Distribution, 18°
LTL#1274676
Lumens: 429



Candelas at Nadir

Deg	Candela
0	2860
5	2357
15	490
25	126
35	40
45	14

Flood (FL) Distribution, 28°
LTL # 1274677
Lumens: 440



Candelas at Nadir

Deg	Candela
0	1760
5	1578
15	652
25	160
35	42
45	13

APPLICATION DATA:

Notes and Definitions:

Beam spread is to 50% center beam candlepower (CBCP).

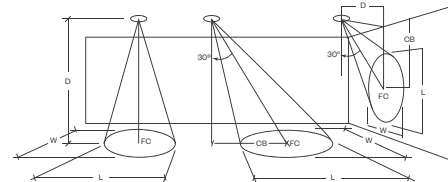
D=Distance to floor or wall.

FC=Footcandles on floor or wall at center beam aiming location.

L=Effective Visual Beam length in feet (50% of maximum footcandle level).

W=Effective Visual Beam width in feet (50% of maximum footcandle level).

CB=Distance across or down to center beam location.



0° Aiming Angle Horizontal Footcandles



30° Aiming Angle Horizontal Footcandles



30° Aiming Angle Vertical Footcandles



60° Aiming Angle Vertical Footcandles

	0° Aiming Angle Horizontal Footcandles				30° Aiming Angle Horizontal Footcandles					30° Aiming Angle Vertical Footcandles					60° Aiming Angle Vertical Footcandles				
	D	FC	L	W	D	FC	L	W	CB	D	FC	L	W	CB	D	FC	L	W	CB
Spot	5.0'	194	1.2	1.2	5.0'	125	1.5	1.3	3.0	3.0'	73	2.9	1.3	5.0	3.0'	253	1.3	1.1	2.0
	7.5'	86	1.7	1.7	7.5'	55	2.4	2.0	4.0	4.0'	42	3.5	1.7	6.0	4.0'	181	1.5	1.1	2.0
	10.0'	49	2.5	2.5	10.0'	31	3.3	2.9	6.0	5.0'	27	4.2	2.4	8.0	5.0'	121	1.7	1.4	3.0
	12.5'	31	3.0	3.0	12.5'	21	3.9	3.4	7.0	6.0'	19	5.2	2.8	9.0	6.0'	80	2.2	1.6	3.0
Narrow Flood	5.0'	115	1.4	1.4	5.0'	74	2.0	1.6	3.0	3.0'	45	3.2	1.5	4.0	3.0'	168	1.5	1.2	2.0
	7.5'	51	2.3	2.3	7.5'	34	2.9	2.7	4.0	4.0'	28	3.9	2.1	6.0	4.0'	119	1.7	1.3	2.0
	10.0'	29	3.1	3.1	10.0'	19	3.9	3.4	5.0	5.0'	18	4.9	2.8	7.0	5.0'	72	2.1	1.6	3.0
	12.5'	18	3.7	3.7	12.5'	12	4.8	1.2	7.0	6.0'	13	5.9	3.2	9.0	6.0'	53	2.4	1.9	3.0
Flood	5.0'	71	2.2	2.2	5.0'	46	2.9	2.6	3.0	3.0'	35	3.4	2.2	4.0	3.0'	107	2.1	1.5	2.0
	7.5'	31	3.2	3.2	7.5'	21	4.0	3.6	4.0	4.0'	20	4.5	2.9	5.0	4.0'	75	2.2	1.9	2.0
	10.0'	18	4.4	4.4	10.0'	12	5.4	4.9	5.0	5.0'	13	5.7	3.6	6.0	5.0'	45	2.9	2.7	3.0
	12.5'	11	5.4	5.4	12.5'	8	6.9	6.2	6.0	6.0'	9	7.0	4.4	8.0	6.0'	33	3.3	2.9	3.0

PROJECT:

TYPE:

DIMMING COMPATIBILITY:

Amerlux® “Cynch” fixtures are compatible with all major dimming protocols prevalent in the United States. Please see below for general compatibilities and wiring diagrams. Amerlux recommends testing your unique dimming configuration as the exact full configuration (Dimmer, Fixture Quantity, Voltage, etc) may affect dimming performance.

--- NOTE: INFORMATION BELOW IS FOR WIRED DIMMERS ONLY. FOR WIRELESS DIMMERS, CONSULT FACTORY ---

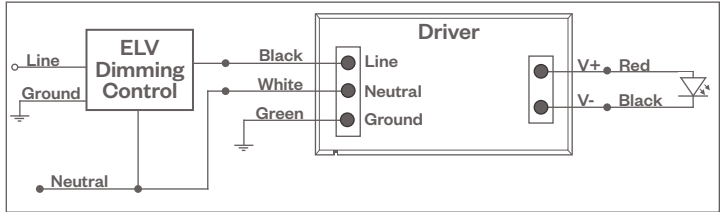
ELV - Electronic Low Voltage (Reverse Phase) DIMMING (Standard)

Utilizes specialized “ELV” dimmers.

Notes:

- 120V or 277V*
- Dims down to less than 5% light output (most cases)
- Consult Dimming manufacturer for installation instructions - DO NOT SHARE NEUTRALS!
- Must meet dimmer Minimum Load Requirements

ELV Wiring Diagram



Compatible Dimmers†:

Wall Box (ELV Style)

Lutron “Diva”
Lutron “Nova-T”
Lutron “Maestro”
Lutron “Vareo”
Lutron “Skylark”

Leviton “Surslide”
Leviton “Vizio”

Central System

Lutron “GP” Panel with PHPM-PA Interface
Lutron Grafik Eye QS with PHPM-PA Interface

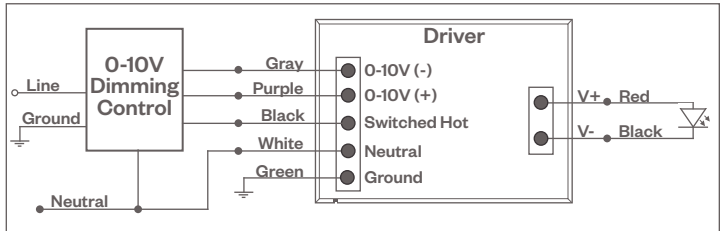
0-10V - DIMMING (-0-10V Option)

Integrates into a variety of building management and daylighting controls

Notes:

- 120V or 277V*
- Dims down to 1% light output
- Requires interface to turn off power to driver
- Consult Dimming manufacturer for installation instructions - DO NOT SHARE NEUTRALS!

0-10V Wiring Diagram



Compatible Dimmers†:

Wall Box

Lutron “Diva” - DVTV with PP-120H Interface

Leviton Renoir II 0-10V

Central System

Lutron Grafik Eye with GRX-TVI Interface

Notes:

- * Driver is 277V dimmable with appropriate dimmer (by others). All provided wiring diagrams show 120V wiring colors and method. Please refer to 277V dimmer installation instructions for 277V wiring diagrams.
- † The absence of a dimmer from the lists above does not imply incompatibility. Please consult factory for compatibility inquiries.