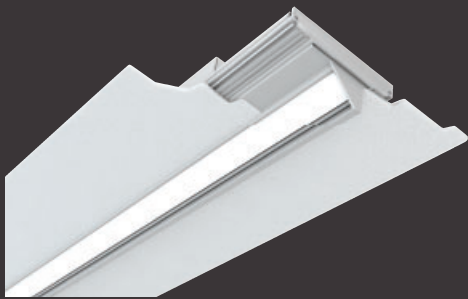


# Fino®

## Ceiling Mount Wall Wash LED



### Features

Our ceiling-mounted Fino has won recognition for discreet light directed from above. It leaves a clean ceiling and installs easily into typical existing structure. Ideal for high wall washing over counter areas and reception desks.

### Product Overview

Type:	Ceiling Mount, High Angle Wall Wash
Wattage:	6W/ft, 12W/ft (other wattages consult factory)
Lumen Output:	2,528 max; 51.2 Lm/W (12W, 4ft fixture)
Color Temp:	2700K, 3000K, 3500K, 4000K
CRI:	83 typ. (2700K, 3000K, 3500K, 4000K)
Dimming:	0-10V, 1% dimming (standard) Lutron Hi-lume® 2 wire, (120V only) Lutron Hi-lume® EcoSystem, 1% dim, fade to off Lutron Hi-lume® 5 Series DALI dimming, 0.1% dim

PROJECT:

TYPE:

### Fixture Summary *(see following pages for more information)*

#### Ceiling Types

4" Tech Zone	6" Tech Zone	9/16"	15/16"	Gyp Board
Yes	No	Yes	Yes	Yes

#### Performance Chart

Wattage Per Foot	Delivered Lumens	LPW	Color Temp
6	1388	59.1	3500K-83
12	2528	51.2	3500K-83

*Data is based on 3500K-83 IES files available on website  
Data is based on 4' fixture*

#### Runs

Individual Runs: 2' - 8' *(to nearest 6")*

Continuous Runs: Available *(to nearest 6")*

#### Electrical Data

Wattage Per Foot		4'		8'	
		System Watts	Amps	System Watts	Amps
6	120V	23.8	0.20	47	0.39
	277V	25.6	0.09	47.5	0.17
12	120V	50	0.41	100	0.82
	277V	50.3	0.18	100.6	0.36

*Electronic multi-volt (120V-277V), constant current LED driver*



# Fino<sup>®</sup> Ceiling

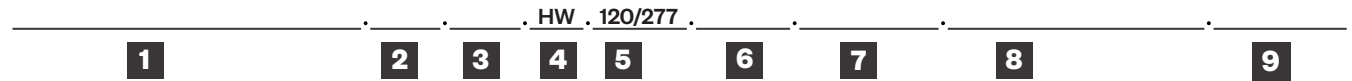
Ceiling Mount Wall Wash



PROJECT:

TYPE:

## Ordering Information



- 1** Model  
**FINO-CLG-GB-A16<sup>†</sup>**  
**FINO-CLG-GB-REMOTE-A16<sup>†</sup>**  
**FINO-CLG-GRID-A16<sup>†</sup>**  
**FINO-CLG-GRID-REMOTE-A16<sup>†</sup>**

- 2** Wattage (per foot)  
**6**  
**12**  
*Consult factory for other wattage options*

- 3** Color Temp  
**83 CRI:**  
**27** - 2700K-83  
**30** - 3000K-83  
**35** - 3500K-83  
**40** - 4000K-83  
*92 CRI optional, consult factory*

- 4** Finish  
**HW** - high reflectance matte white

- 5** Voltage  
**120/277**

- 6** Length  
----- - specify length  
(for individual fixture, 18" to 8' in 6" increments)  
(for continuous run, specify to nearest 6")

- 7** Configuration  
**IND<sup>†</sup>** - individual fixture, 18" to 8' in 6" increments  
**CON** - continuous run > than 8', specify to nearest 6"

- 8** Drivers  
**0-10V** - 0-10v, 1% dimming (standard)  
**Consult Factory for the following options:**  
**HILUME-A-LTE** - Lutron "A" Series, 1% dim, 2-wire, 120V only  
**HILUME-H-ECO** - Lutron "H" Series, 1% dim, fade to off, EcoSystem  
**HILUME-5-ECO** - Lutron "5" Series, EcoSystem  
**DALI** - DALI Dimming 120V-277V, 0.1% dim

- 9** Options/Accessories  
**CP** - Chicago Plenum (CCEA)

1 - Lengths less than 4' may have restrictions based upon wattage, lengths, drivers or other options.

<sup>†</sup> The "A" refers to the sequential revision in a year and "XX" refers to the year of update. Updates coincide with improved performance while not changing the overall fixture aesthetic and are reflected in the published performance data. Please contact your Amerlux representative for explanations of changes.

# Fino<sup>®</sup> Ceiling

Ceiling Mount Wall Wash



## PROJECT:

## TYPE:

### Specifications

#### Application

Effective high angle wall wash, Fino Ceiling is an innovative lighting tool that allows the subtle lighting of vertical surfaces without drawing attention to the fixture.

#### Construction

- Two piece assembly:
- 1) Extruded aluminum mud-in frame and sheet metal die-formed gear tray.
  - 2) Snap-in Reflector extruded aluminum optical assembly.
- Positive latching system for hairline seams.

#### Optical

High performance high angle wall wash optical system.

#### LED

Amerlux's boards and patented connector design with brand name LEDs enables Amerlux fixtures to have excellent thermal management and offer a 5 year warranty. Our LED binning is within 3 MacAdam ellipse. Boards are configured for maximum flexibility resulting in even illumination no matter the fixture layout. LED boards are easily replaced in the field with just a Phillips screw driver.

#### Color Temperature Options:

2700K, 3000K, 3500K, 4000K

**CRI:** 83 typical, 92 optional - consult factory

R9: 16 @ CRI 83

R9: >50 @ CRI 92

**Life:** 50,000+ hr., > 70% of initial lumens (L70)

#### Electrical

**Wattage:** 6W/ft, 12W/ft (consult factory for other wattages).

#### Electronic constant current LED driver:

6 watts - 18" min fixture length, 96" maximum length.

12 watts - 18" min, 48" maximum length

#### Integral Driver: Gypsum Board

Drivers prewired in an Adjustable Enclosure that can be field adjusted to be mounted in-between ceiling studs or other support structure. Adjustable Enclosures are not connected internally to fixture. Live voltage must be brought to from a J-Box or from an adjacent powered Adjustable Enclosure. Prewired low voltage leads in the Adjustable Enclosure are field connected to LED board leads within fixture housing.

#### Integral Driver: Grid

Grid ceiling fixtures have a continuous wireway and can be wired through quick access plate on top of fixture housing.

#### Remote Driver: Gypsum Board or Grid

Drivers are housed in a Remote Enclosure. Fixtures are provided with low voltage plenum rated 18/2 cable for field connection (by others) to Remote Driver. Remote Driver can be mounted anywhere within 15' of fixture.

#### Short Runs: Gypsum Board or Grid

Remote drivers are required. One driver can power multiple short fixtures in multiples of 6" , cumulative minimum lengths are required, see Table 3. Short Runs can be installed in either ceiling type. Each driver must be independently powered with line voltage from J-Box or from an adjacent powered Remote Enclosure.

#### See page 5 for wiring diagram.

Emergency circuit via remote inverter or auxiliary emergency power supply (by others).

**This product complies with IEEE C62.41 for surge endurance up to 2.5KV. Amerlux<sup>®</sup> recommends using additional surge protection with this unit (supplied by others), surge and over voltage damage is not covered under warranty.**

#### Drivers

**0-10V** - 1% electronic dimming , multi-volt (120V-277V) constant current driver (standard). Cap leads for non-dim applications.

#### Optional Drivers:

**HILUME-A-LTE** - Lutron "A" Series, 1% dim, 2-wire, 120V only

**HILUME-H-ECO** - Lutron "H" Series, 1% dim, fade to off, EcoSystem

**HILUME-5-ECO** - Lutron "5" Series, EcoSystem

**DALI** - DALI Dimming 120V-277V, 0.1% dim

**Note: Driver is accessible by removing snap-in reflector assembly.**

#### Finish

**HW** - High reflectance, matte white powder coat paint. Baked on finish for maximum durability and color stability.

#### Configurations/Lengths

Straight lengths only.

**IND** - Individual fixtures are made of single standard lengths of 18" to 8' (in 6" increments). These are stand alone fixtures. Lengths less than 4' may have restrictions based upon wattage, lengths, drivers or other options.

**CON** - Continuous runs > than 8', specified to nearest 6" increments. Each Housing/mud-in frame has factory installed alignment pins. Mating frames are easily aligned and joined with "catch and latch" mechanisms. Wiring is made fast and positive with molded quick connectors.

#### Mounting

**FINO-CLG-GB-A16** - Intended for gypsum board ceiling - "mud in" finish required.

**FINO-CLG-GB-REMOTE-A16** - intended for gypsum board remote driver, "mud-in" finish required

**FINO-CLG-GRID-A16** - Intended for 9/16" slot grid or flat tee, or 15/16" flat tee ceiling grids. 4" Tech Zone compatible.

**FINO-CLG-GRID-REMOTE-A16** - Intended for 9/16" slot grid or flat tee, or 15/16" flat tee ceiling grids. 4" Tech Zone compatible.

#### Recommended Fixture Placement:

Min: 18" from wall

Ideal: 24" from wall

Max: 36" from wall

#### Certifications

Approved to UL standards for damp locations as tested by CSA.

Intended for indoor use only

Chicago Plenum (CCEA) optional.

IC rated

#### Warranty

Amerlux's 5 year limited warranty. Please consult Amerlux website for details.

# Fino<sup>®</sup> Ceiling

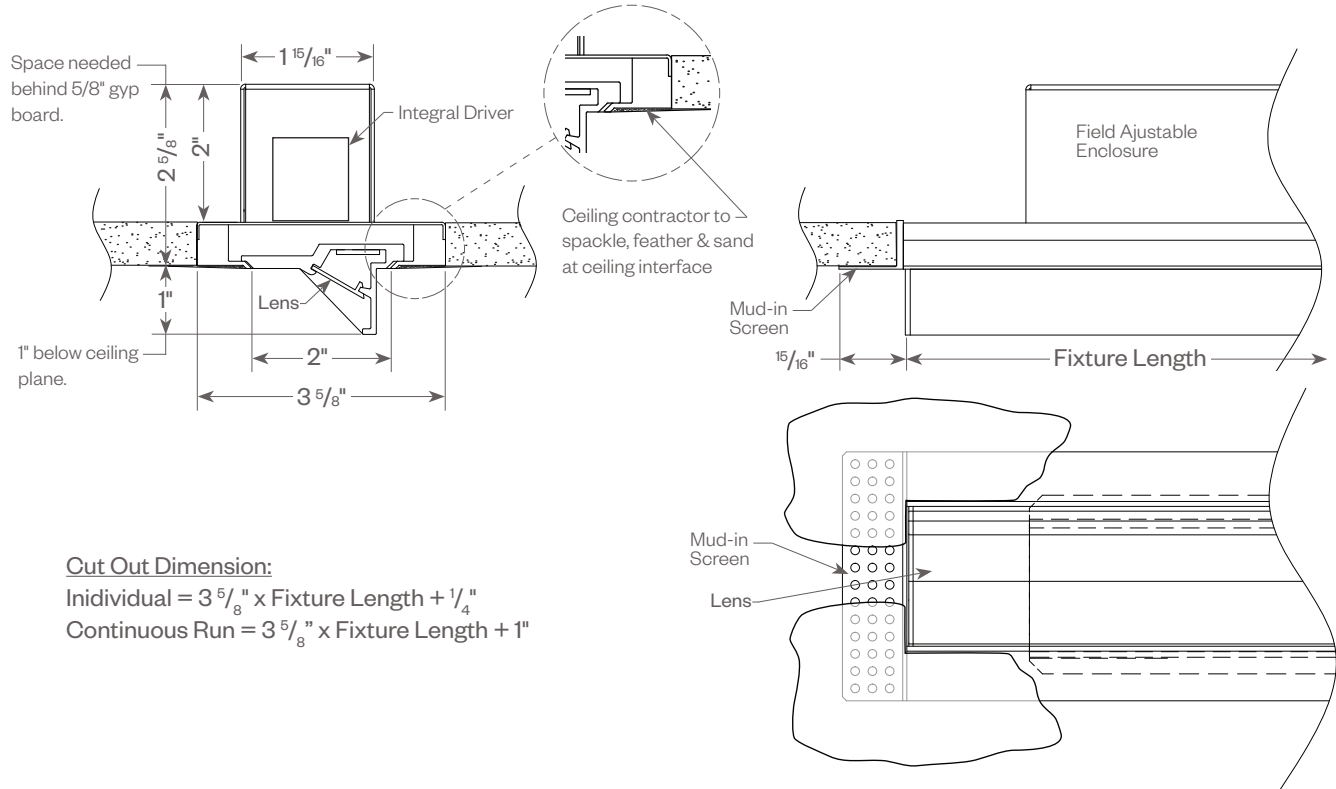
Ceiling Mount Wall Wash



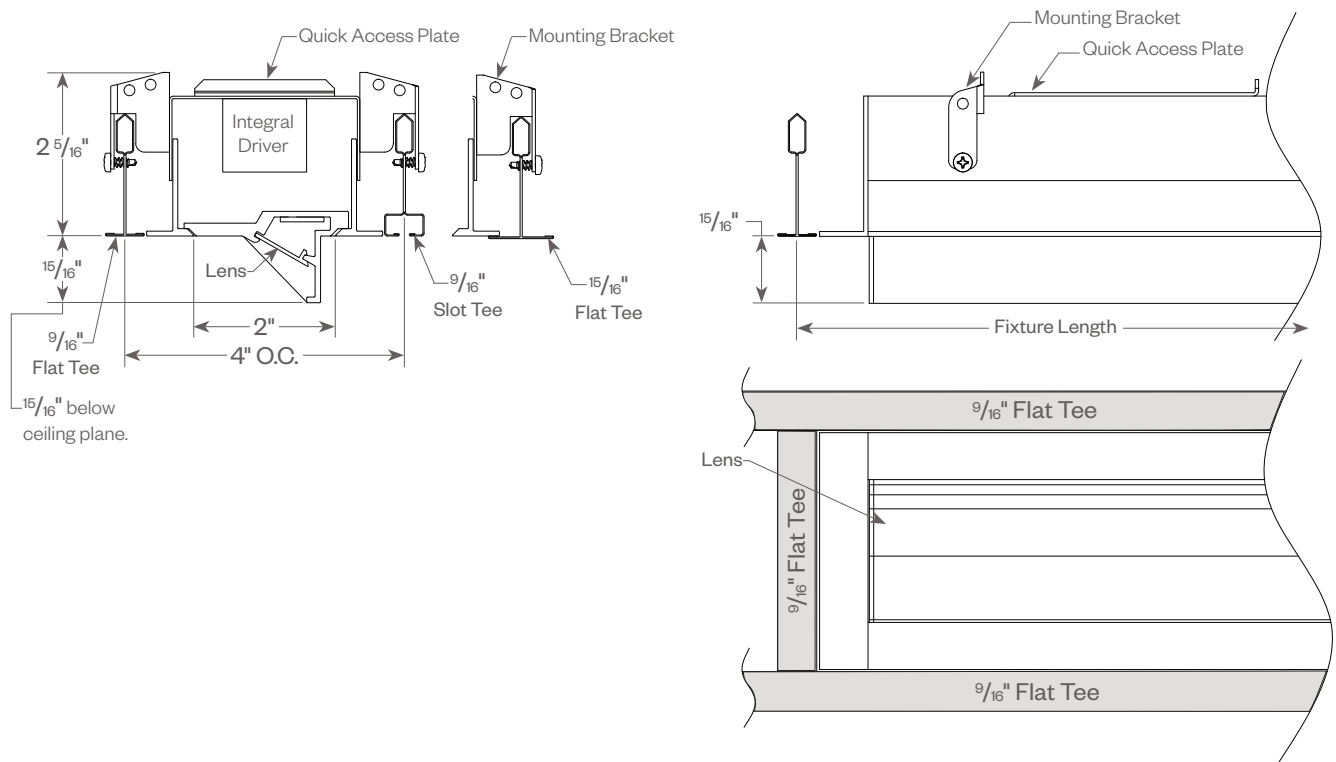
PROJECT:

TYPE:

## FINO-CLG-GB-A16



## FINO-CLG-GRID-A16



# Fino<sup>®</sup> Ceiling

Ceiling Mount Wall Wash

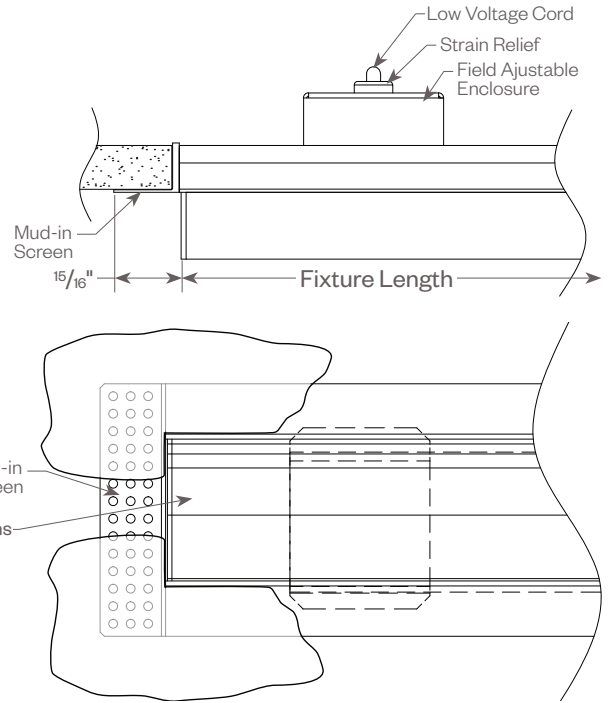
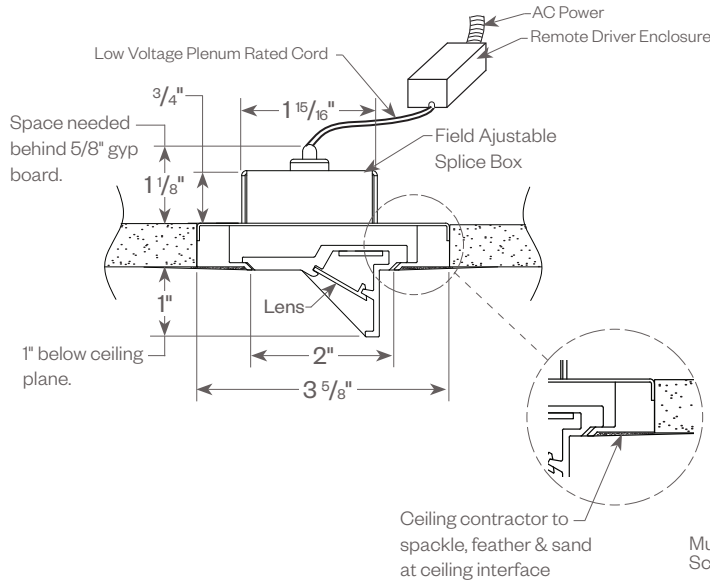


PROJECT:

TYPE:

## FINO-CLG-GB-REMOTE-A16

Note: Remote driver can be installed up to 15' max. from fixture.



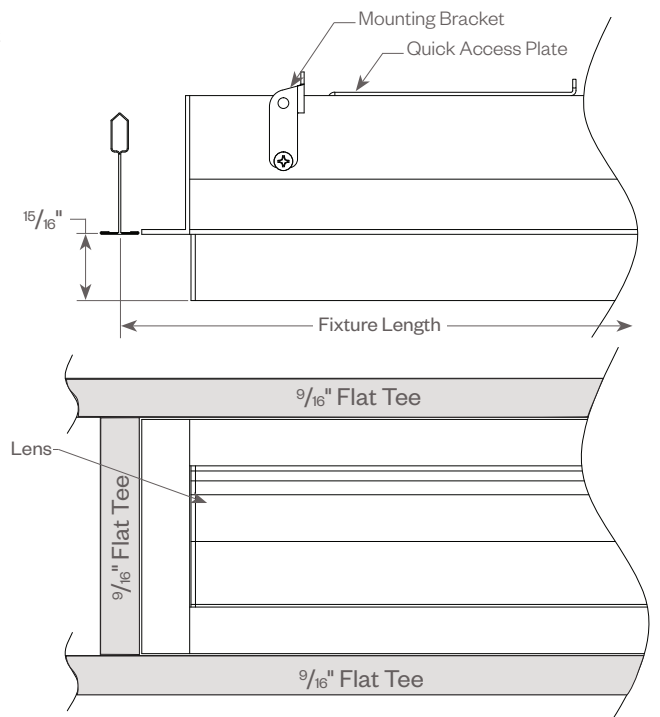
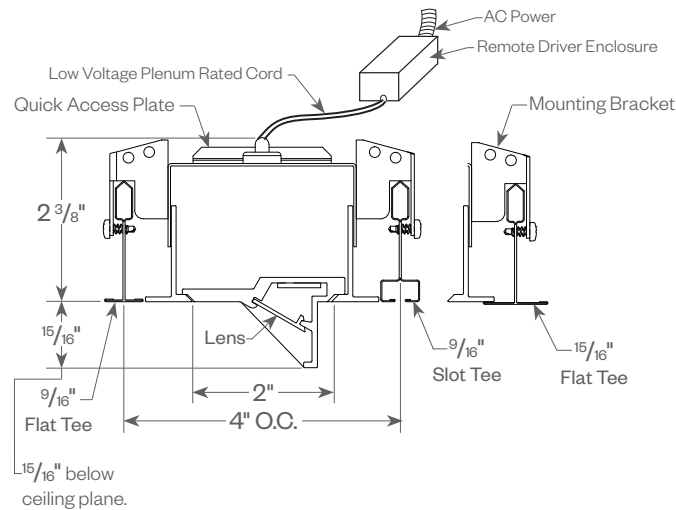
**Cut Out Dimension:**

Individual =  $3 \frac{5}{8}'' \times \text{Fixture Length} + \frac{1}{4}''$

Continuous Run =  $3 \frac{5}{8}'' \times \text{Fixture Length} + 1''$

## FINO-CLG-GRID-REMOTE-A16

Note: Remote driver can be installed up to 15' max. from fixture.



# Fino<sup>®</sup> Ceiling

Ceiling Mount Wall Wash



## PROJECT:

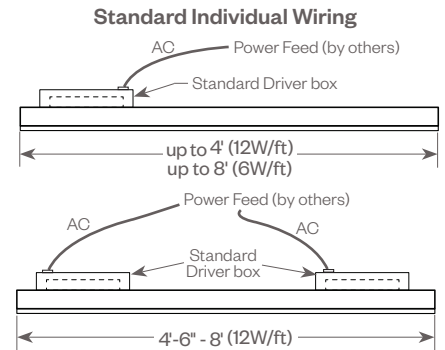
## TYPE:

### DRIVER WIRING OPTIONS:

#### INTEGRAL DRIVER: GYPSUM BOARD

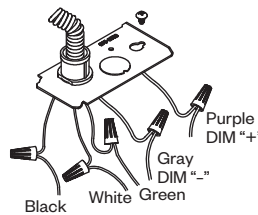
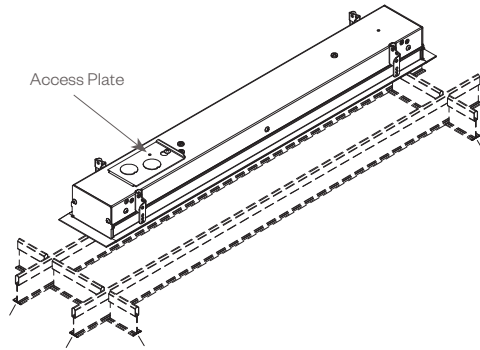
Driver required for every fixture section. Adjustable Driver Enclosure is located on back of fixture housing. It is field adjustable to fit in between ceiling studs or other structure. Line Voltage Power Feed (by others) must be brought to each Driver Enclosure. 1 or 2 drivers per fixture required (see Table 1).

Driver	W/ft	Min. Length	Max. Driver	
			1	2
0-10V	6W	1'-6"	8'	x
	12W	1'-6"	4'	8'
Lutron	6W	2'-6"	8'	x
	12W	1'-6"	4'	8'
DALI	6W	1'-6"	8'	x
	12W	1'-6"	4'	8'



#### INTEGRAL DRIVER: GRID

Grid ceiling fixtures have a continuous wireway and can be wired through quick access plate on top of fixture housing.



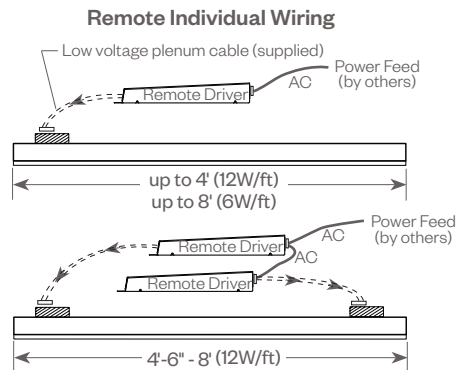
**Note:** Additional connections (not shown) as required for dimming, EM, or other wiring requirements. Cap all unused leads. (wire nuts supplied by others)

#### Remote Driver: Gypsum Board or Grid

Every fixture section requires an enclosure. 2 Drivers per may be required. Note; only 1 driver per Enclosure. Fixtures are provided with low voltage, plenum rates 18/2 cable for field connection (by others). For maximum remoted driver distances see Table 2.

Driver	W/ft	Min. Length	Max. Driver		Max. Remote Driver Distance
			1	2	
0-10V	6W	1'-6"	8'	x	15'
	12W	1'-6"	4'	8'	15'
Lutron	6W	2'-6"	8'	x	15'
	12W	1'-6"	4'	8'	15'
DALI	6W	1'-6"	8'	x	15'
	12W	1'-6"	4'	8'	15'

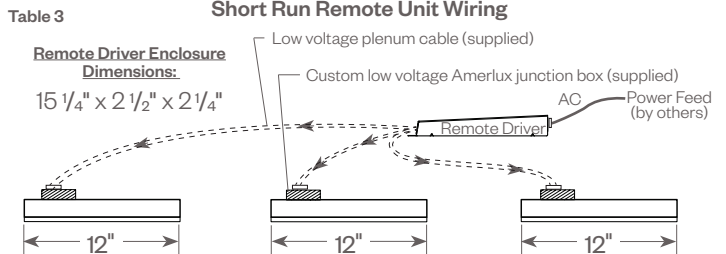
**Remote Driver Enclosure Dimensions:**  
15 1/4" x 2 1/2" x 2 1/4"



#### Short Runs: Gypsum Board or Grid (remote driver enclosures required)

In either gypsum board or grid ceiling installation, multiple short fixture lengths can be wired (daisy chained) from one remote driver. Cumulative fixture lengths must equal Min. Length per driver criteria and be divisible by 6" (see Table 3).

Driver	W/ft	Min. Length	# of Drivers	6" Section	12" Section
0-10V	6W	1'-6"	1	3	0
	12W	1'-6"	1	1	1
Lutron	6W	2'-6"	1	1	2
	12W	1'-6"	1	3	0
DALI	6W	1'-6"	1	1	1
		1'-6"	1	3	0
		1'-6"	1	1	1



**Note: Consult factory for additional remote driver requirements not show.**

# Fino<sup>®</sup> Ceiling

Ceiling Mount Wall Wash



**PROJECT:**

**TYPE:**

**FIXTURE DATA:** (Complete photometric data (.ies format) available upon request)

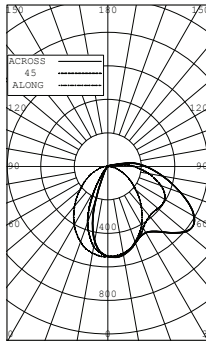
**MULTIPLYING FACTORS:** (Multiplying Factor is based on 3500K-83 120V IES file on website)

CCT:	2700K-83	3000K-83	3500K-83	4000K-83
Factor:	0.87	0.93	1.0	1.08

**FINO CEILING 6W 3500K 4FT**

Total Watts: 24  
Total Lumens: 1,388 (347 Lm/ft)  
Source: 112 White LED's

LTL# 627967



**ZONAL LUMEN SUMMARY**

Zone	Lumens	%Fixt
0-30	347	24.98
0-40	521	37.52
0-60	901	64.92
0-90	1323	95.28
40-90	802	57.76
60-90	421	30.36
90-180	66	4.72
0-180	1388	100.0

Efficacy = 59.1 Lumens /Watt

**COEFFICIENTS OF UTILIZATION**

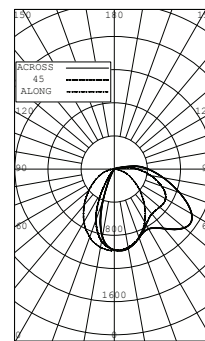
Effective Floor Cavity Reflectance 20%

RC	80			
RW	70	50	30	10
RCR				
0	1.18	1.18	1.18	1.18
1	1.06	1.00	0.95	0.91
2	0.96	0.87	0.80	0.73
3	0.87	0.76	0.68	0.61
4	0.80	0.68	0.59	0.52
5	0.74	0.61	0.52	0.45
6	0.68	0.55	0.46	0.39
7	0.63	0.49	0.41	0.35
8	0.59	0.45	0.37	0.31
9	0.55	0.41	0.33	0.27
10	0.51	0.38	0.30	0.25

**FINO CEILING 12W 3500K 4FT**

Total Watts: 50  
Total Lumens: 2,528 (632 Lm/ft)  
Source: 112 White LED's

LTL# 629434



**ZONAL LUMEN SUMMARY**

Zone	Lumens	%Fixt
0-30	633	25.04
0-40	952	37.65
0-60	1648	65.17
0-90	2412	95.39
40-90	1460	57.73
60-90	764	30.21
90-180	117	4.61
0-180	2528	100.0

Efficacy = 51.2 Lumens /Watt

**COEFFICIENTS OF UTILIZATION**

Effective Floor Cavity Reflectance 20%

RC	80			
RW	70	50	30	10
RCR				
0	1.18	1.18	1.18	1.18
1	1.06	1.00	0.95	0.91
2	0.96	0.87	0.80	0.74
3	0.87	0.76	0.68	0.61
4	0.81	0.68	0.59	0.52
5	0.74	0.61	0.52	0.45
6	0.68	0.55	0.46	0.39
7	0.63	0.49	0.41	0.35
8	0.59	0.45	0.37	0.31
9	0.55	0.41	0.33	0.27
10	0.51	0.38	0.30	0.25

# Fino<sup>®</sup> Ceiling

Ceiling Mount Wall Wash



**PROJECT:**

**TYPE:**

**DIMMING COMPATIBILITY:**

Amerlux<sup>®</sup> Fino fixtures are compatible with all major dimming protocols prevalent in the United States. Please see below for general compatibilities and wiring diagrams. Amerlux recommends testing your unique dimming configuration as the exact full configuration (Dimmer, Fixture Quantity, Voltage, etc) may affect dimming performance.

**--- NOTE: INFORMATION BELOW IS FOR WIRED DIMMERS ONLY. FOR WIRELESS DIMMERS, CONSULT FACTORY ---**

**0-10V - DIMMING (Standard)**

Integrates into a variety of building management and daylighting controls

**Notes:**

- 120V or 277V\*
- Dims down to 1% light output
- Requires interface to turn off power to driver
- Consult Dimming manufacturer for installation instructions - DO NOT SHARE NEUTRALS!

**Compatible Dimmers<sup>†</sup>:**

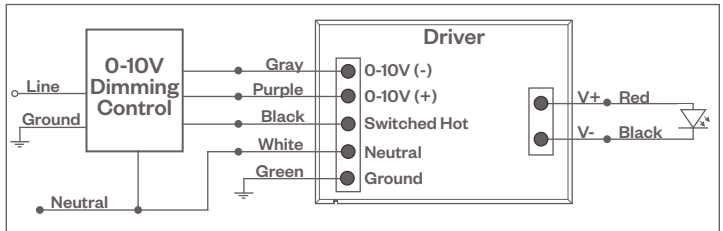
**Wall Box**

Lutron:	Wattstopper:	Leviton:
Diva - DVSTV	ADF-120277	Renoir II
Maestro - MS-Z101		
Nova-T - NTSTV-DV		

**Center System**

Lutron Grafikx Eye with GRX-TV1 Interface

**0-10V Wiring Diagram**



**LUTRON HI-LUME DIMMING**

Integrates into Lutron EcoSystem building management

**Notes:**

- 120V or 277V\*
- Dims down to less than 5% light output
- EcoSystem Control
- Consult Dimming manufacturer for installation instructions - DO NOT SHARE NEUTRALS!

**Compatible Dimmers<sup>†</sup>:**

**Wall Box**

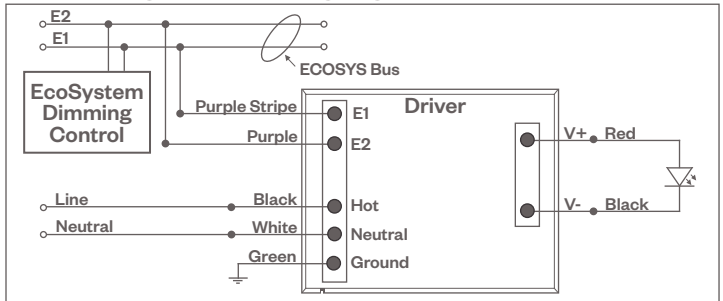
Lutron:
Diva
Maestro
Nova-T
Vareo

**Center System**

Lutron EcoSystem compatible controls

**HILUME-H-ECO, HILUME-5-ECO**

**EcoSystem Digital Control Wiring Diagram**



**Notes:**

\* Driver is 277V dimmable with appropriate dimmer (by others). All provided wiring diagrams show 120V wiring colors and method.

Please refer to 277V dimmer installation instructions for 277V wiring diagrams.

† The absence of a dimmer from the lists above does not imply incompatibility. Please consult factory for compatibility inquiries.



# Fino<sup>®</sup> Ceiling

Ceiling Mount Wall Wash



## PROJECT:

## TYPE:

### DIMMING COMPATIBILITY:

Amerlux<sup>®</sup> Fino fixtures are compatible with all major dimming protocols prevalent in the United States. Please see below for general compatibilities and wiring diagrams. Amerlux recommends testing your unique dimming configuration as the exact full configuration (Dimmer, Fixture Quantity, Voltage, etc) may affect dimming performance.

**--- NOTE: INFORMATION BELOW IS FOR WIRED DIMMERS ONLY. FOR WIRELESS DIMMERS, CONSULT FACTORY ---**

### LUTRON HILUME-A-LTE DIMMING

Utilizes "Standard" incandescent dimmers that are in wide use in installations across the US. Best for retrofit applications where TRIAC dimmers are installed.

#### Notes:

- 120V only
- Dims down to less than 1% light output (most cases)
- Consult Dimming manufacturer for installation instructions - DO NOT SHARE NEUTRALS!
- Must meet dimmer Minimum Load Requirements per dimming manufacturer

#### Compatible Dimmers<sup>†</sup>:

**Wall Box** (Incandescent Style, Wattage as required)

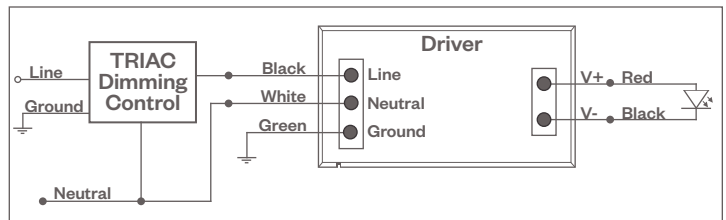
Lutron:

- Diva
- Maestro
- Nova-T
- Vareo
- Skylark

#### Center System

- Lutron "GP" Panel
- Lutron Grafik Eye QS

Lutron HILUME-A-LTE Wiring Diagram



### DALI - DALI DIMMING 120V-277V

Digital control protocol allows individual fixture control

#### Notes:

- 120V - 277V\*
- Dims down to 0.1% light output in most cases

#### Compatible Dimmers<sup>†</sup>:

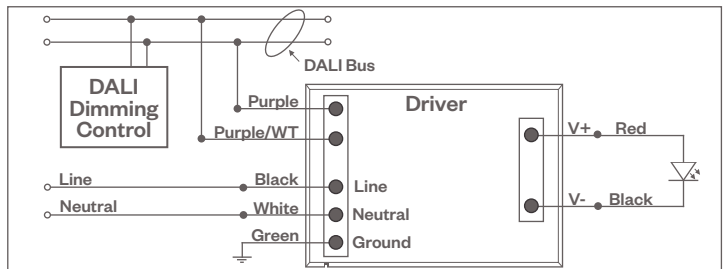
**Wall Box**

Leviton CD250 Controller

#### Center System

- Dynalite
- Fifth Light

DALI Wiring Diagram



#### Notes:

\* Driver is 277V dimmable with appropriate dimmer (by others). All provided wiring diagrams show 120V wiring colors and method. Please refer to 277V dimmer installation instructions for 277V wiring diagrams.

† The absence of a dimmer from the lists above does not imply incompatibility. Please consult factory for compatibility inquiries.