

# Evoke<sup>®</sup> 2.9" HP

## 2.9" Round Lens Wall Wash



Lens Wall Wash

### Features

Evoke 2.9 LED fixtures are now available with a higher performance LED module providing 11W, 18W or 20W of lighting power. Featuring the fit, finish and attention to detail of the existing Evoke<sup>®</sup> line, bringing true performance and control in a fixed downlight, adjustable, wall washer and pinhole. Everything you desire from a small aperture recessed downlight with lumen delivery, energy efficiency, dimming control and color consistency is now a reality in Evoke.

### Product Overview

Type:	Recessed Round Wall Wash
Wattage:	11, 18, 20
Lumen Output:	1,033 max; 52.8 Lm/W
CBCP:	1,206 max
Color Temp:	2200K, 2700K, 3000K, 3500K, 4000K
CRI:	83 typ. (2700K, 3000K, 3500K, 4000K) 90+ typ. (2200K, 2700K, 3000K, 3500K, 4000K) CrispWhite (18W max) & 3K Class A available
Dimming:	TRIAC & ELV (120V/277V) - 5% Dim Lutron Hi-lume <sup>®</sup> H Series/EcoSystem - 1% dim with soft on, fade to black, 120V/277V 0-10V (120V/277V) - 1% Dim DALI dimming - 1% Dim

### PROJECT:

### TYPE:



Lens Wall Wash Trimless

### Fixture Type

Round/Square	New Construction	Trim	Trimless
Yes	Yes	Yes	Yes

See separate spec for Square trim fixture

### Performance Chart

Watts	Delivered Lumens	LPW	CBCP	Color Temp
11	568	51.7	663	3000K-83
18*	930	51.7	1,085	3000K-83
20*	1,033	52.8	1,206	3000K-83

Data is based on 3000K-83 IES files available on website

\*2W thermal protector included on 18W & 20W

### Electrical Data

	11W		18W*		20W*	
	System Watts	Amps	System Watts	Amps	System Watts	Amps
120V	11	0.09	18	0.15	20	0.17
277V	11	0.04	18	0.06	20	0.07

Electronic constant current LED driver

\*2W thermal protector included on 18W & 20W



# Evolve<sup>®</sup> 2.9" HP

2.9" Round Lens Wall Wash



## PROJECT:

## TYPE:

### Housing/Frame Ordering Information

1	2	3	4	5	6	7
<b>1</b> <u>Model</u> For New Construction <b>E2.9RLW-HP-NC-A17<sup>†</sup></b> (New Constuction) <b>E2.9RLW-HP-CP-A17<sup>†</sup></b> (Chicago Plenum (CCEA) housing) <b>E2.9RLW-HP-IC-A17<sup>†</sup></b> (Insulated Ceiling/air tight, 11W only)	<b>2</b> <u>Style</u> <b>T</b> - trimmed <b>TL</b> - trimless (not available for use with Grid ceiling)	<b>3</b> <u>Wattage</u> <b>11</b> <b>18</b> (not available for use with IC housing) <b>20</b> (not available for use with IC housing)	<b>4</b> <u>Voltage</u> <b>120</b> <b>277</b> <b>120/277</b> (for use with IC housing only)	<b>5</b> <u>Ceiling Mounting</u> <b>GB</b> - gyb board, 5/8" deep collar <b>GRID</b> - grid, 1" deep collar (not available for use with trimless option) <i>For other ceiling type, consult factory</i>	<b>6</b> <u>Color Temp</u> <b>83 CRI</b> <b>90+ CRI</b> <b>27</b> - 2700K-83 <b>229</b> - 2200K-90+ <b>CRISP</b> - CrispWhite (18W max) <b>30</b> - 3000K-83 <b>279</b> - 2700K-90+ <b>35</b> - 3500K-83 <b>309</b> - 3000K-90+ <b>3CLA</b> - 3K Class A <b>40</b> - 4000K-83 <b>359</b> - 3500K-90+ <b>409</b> - 4000K-90+	<b>7</b> <u>Driver</u> (for non-dimming, select LE/TE option) <b>LE/TE</b> - TRIAC/ELV dimming <b>HILUME-H-ECO</b> - Lutron Hi-lume <sup>®</sup> H Series, EcoSystem, 1% dim with soft on, fade to black <b>0-10V</b> - 0-10V dimming, 1% dim <b>DALI</b> - DALI dimming, 1% dim

### Trim Ordering Information

E2.9RLW-HP-A17		
1	2	3
<b>1</b> <u>Model</u> <b>E2.9RLW-HP-A17<sup>†</sup></b>	<b>2</b> <u>Style</u> <b>T</b> - trimmed <b>TL</b> - trimless (not available for use with Grid ceiling)	<b>3</b> <u>Finish (Trimmed)</u> <b>SDW</b> - semi-diffuse, white flange <b>SDC</b> - semi-diffuse, clear flange* <b>CLW</b> - specular clear, white flange <b>CLC</b> - specular clear, clear flange* <b>MWW</b> - matte white, white flange *Note: On clear flange, trim finish matches cone finish *Note: On clear flange, trim finish matches cone finish  <u>Finish (Trimless)</u> <b>SD</b> - semi-diffuse <b>CL</b> - specular clear

<sup>†</sup> The "A" refers to the sequential revision in a year and "XX" refers to the year of update. Updates coincide with improved performance while not changing the overall fixture aesthetic and are reflected in the published performance data. Please contact your Amerlux representative for explanations of changes.

# Evoke<sup>®</sup> 2.9" HP

2.9" Round Lens Wall Wash



## PROJECT:

## TYPE:

### Specifications

#### Application

Retail and commercial wall wash lighting

#### Housing Construction

20 ga. steel painted matte black  
Formed aperture plate with 5/8" lip (GB-standard)  
Cast aluminum plaster frame with perforated face (for trimless option)  
Integral adjustable locking mounting bars  
Thermally protected

#### Reflector Trim Construction

Spun aluminum reflector with bias cut  
Variety of anodized aperture finishes in both white and clear flange  
Steel mounting ring with torsion springs and spring steel mounting clips

#### Optical

Engineered diffuse linear spread lens etched on the interior side

#### LED

##### Color Temp Options:

2200K, 2700K, 3000K, 3500K, 4000K

CRI: 83 typ. (2700K, 3000K, 3500K, 4000K)

90+ typ. (2200K, 2700K, 3000K, 3500K, 4000K)

CrispWhite\* LED available, 18W max

Class A\*\* 3000K (high CRI, high gamut)

R9 Values: 11 (83 CRI), 55 (92 CRI)

Binning: 3 MacAdam (SDCM)

Life: 50,000+ hrs, > 70% of initial lumens at 50,000 hrs

*\*CrispWhite: CrispWhite Technology delivers the warmth of colors expected from a high 90 CRI solution but also creates the natural crisp white color that is pleasing to the eye. It creates the most impactful lighting ever available, by revealing the richest whites and vibrant colors that pop.*

*\*\*Class A LED: Class A LED's have a CRI > 80 and a GAI > 80. CRI defines color "Naturalness" and GAI defines color "Saturation." Both being high delivers rich colors and pure whites.*

#### Electrical

Wattage: 11, 18, 20

Electronic constant current LED driver, 120V or 277V input (voltage specific TP on 18W & 20W)

**This product complies with IEEE C62.41 for surge endurance up to 2.5KV. Amerlux® recommends using additional surge protection with this unit (supplied by others), surge and over voltage damage is not covered under warranty.**

#### Drivers

LE/TE - Leading Edge, TRIAC, forward phase/Trailing Edge, ELV, reverse phase (standard)

0-10V, Lutron and DALI systems also available

See pages 6-7 for more dimming information

#### Finish (Trim)

Wet paint

#### Mounting

##### For Trimmed fixture:

GRID: 1" deep aperture collar

GB (gyp board): 5/8" deep aperture collar

Extra thick ceiling ring available for ceilings over 1" thick, consult factory

**Note:** Not recommended for ceilings over 1" thick

##### For Trimless fixture:

For use in sheetrock ceilings, ceiling thickness 5/8"

Consult factory for other ceiling thicknesses or for use in millwork ceilings

#### Certifications

CSA damp as tested to UL 1598 standards

Damp location

IC/AT (insulated ceiling/air tight) rated, 11W only, optional

#### Warranty

5 year limited warranty

# Evoke<sup>®</sup> 2.9" HP

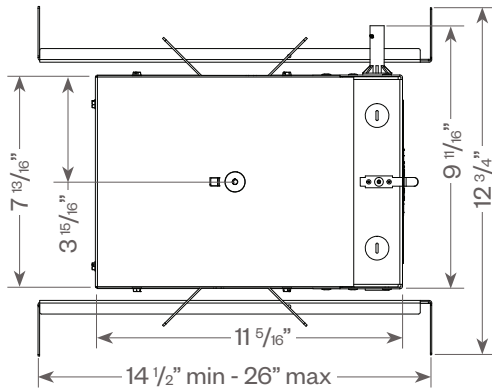
2.9" Round Lens Wall Wash



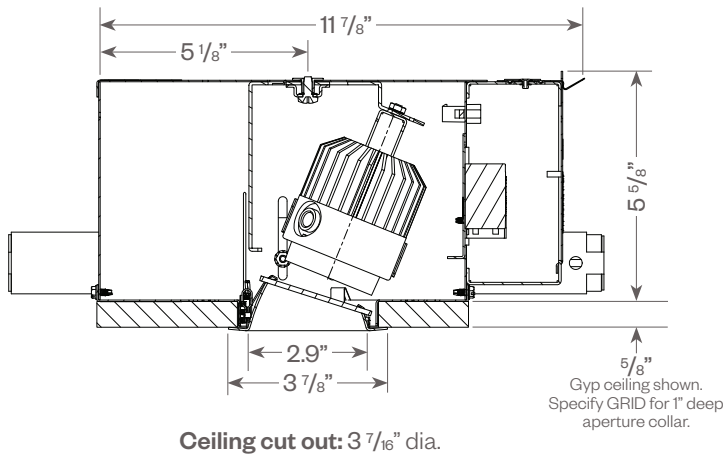
PROJECT:

TYPE:

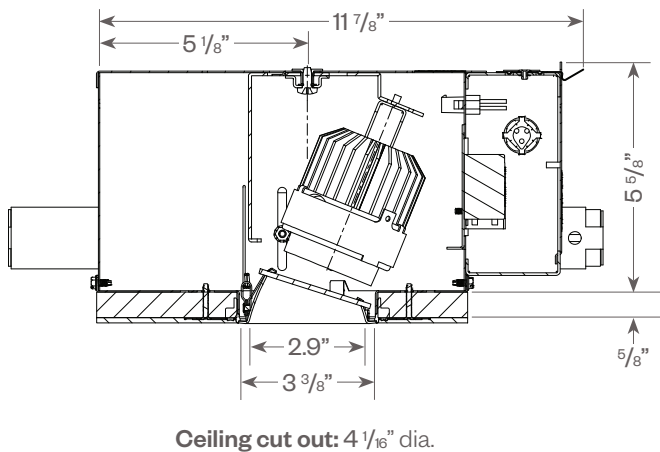
Evoke HP Round Lens Wall Wash:



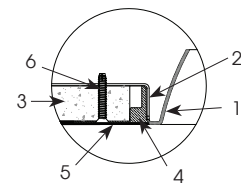
Trimmed



Trimless



Plaster Frame Installation Detail  
(for trimless fixture only)



1. Reflector Trim
2. Aperture plate
3. Ceiling 5/8"
4. Cast Aluminum Plaster Frame
5. Plaster Skim Coat (by others)
6. 6-32 Type F Thread Cutting Screw

# Evoke<sup>®</sup> 2.9" HP

2.9" Round Lens Wall Wash



**PROJECT:**

**TYPE:**

**FIXTURE DATA:** (Complete photometric data (.ies format) available upon request)

**MULTIPLYING FACTORS:** (Multiplying Factor is based on 3000K-83 120V IES file on website)

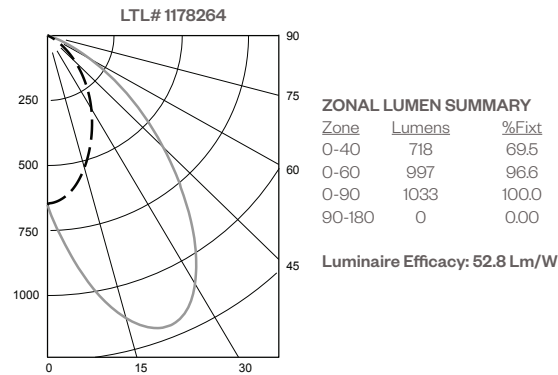
Wattage:	11W	18W	20W
Factor:	0.55	0.9	1.0

CCT:	2700K-83	3000K-83	3500K-83	4000K-83
Factor:	0.96	1.0	1.02	1.04

CCT:	2200K-90+	2700K-90+	3000K-90+	3500K-90+	4000K-90+	CRISP	3CLA
Factor:	0.71	0.80	0.83	0.87	0.90	0.65	0.75

**20W 3000K**

Lumens: 1033



**Application Data:**

**Footcandles on Wall**

Footcandles are average and rounded off.  
Data for multiple units are based on a minimum of five units.

**1.5 Feet from Wall**

Distance from ceiling	0.5'	1.5'	2.5'	3.5'	4.5'	5.5'	6.5'	7.5'
0.5'	14	11	12	16	12	11	15	
1.5'	118	121	124	134	124	121	118	
2.5'	91	103	109	115	109	104	92	
3.5'	53	65	69	73	70	65	54	
4.5'	33	39	44	45	44	40	33	
5.5'	22	26	28	29	28	26	22	
6.5'	15	18	20	20	20	18	15	
7.5'	11	13	14	15	14	13	12	

**1.5 Feet from Wall**

Distance from ceiling	0.5'	1.5'	2.5'	3.5'	4.5'	5.5'	6.5'	7.5'
0.5'	14	7	15	7	15	7	15	14
1.5'	107	79	114	80	114	80	114	79
2.5'	79	77	90	80	90	80	90	77
3.5'	46	50	55	54	57	54	56	50
4.5'	27	32	34	35	36	35	34	27
5.5'	18	21	23	24	24	24	23	18
6.5'	13	15	16	17	17	17	16	13
7.5'	10	11	12	13	13	13	12	10

**2 Feet from Wall**

Distance from ceiling	0.5'	1.5'	2.5'	3.5'	4.5'	5.5'	6.5'	7.5'
0.5'	4	4	4	4	5	4	4	4
1.5'	55	49	61	50	61	50	61	49
2.5'	64	68	76	72	77	72	76	68
3.5'	49	54	60	59	62	59	60	54
4.5'	33	39	42	43	44	43	42	39
5.5'	23	27	30	31	31	31	30	27
6.5'	17	19	21	22	23	22	21	19
7.5'	13	15	16	17	17	17	16	13

# Evoke<sup>®</sup> 2.9" HP

2.9" Round Lens Wall Wash



## PROJECT:

## TYPE:

### DIMMING COMPATIBILITY:

Amerlux<sup>®</sup> Evoke fixtures are compatible with all major dimming protocols prevalent in the United States. Please see below for general compatibilities and wiring diagrams. Amerlux recommends testing your unique dimming configuration as the exact full configuration (Dimmer, Fixture Quantity, Voltage, etc) may affect dimming performance.

**--- NOTE: INFORMATION BELOW IS FOR WIRED DIMMERS ONLY. FOR WIRELESS DIMMERS, CONSULT FACTORY ---**

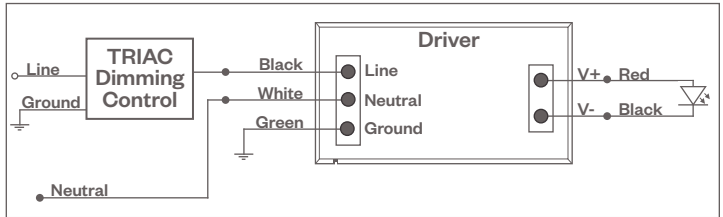
### TRIAC (Forward Phase) DIMMING (Standard)

Utilizes "Standard" incandescent dimmers that are in wide use in installations across the US. Best for retrofit applications where TRIAC dimmers are installed.

#### Notes:

- 120V or 277V\*
- Dims down to less than 5% light output (most cases)
- Consult Dimming manufacturer for installation instructions - DO NOT SHARE NEUTRALS!
- Must meet dimmer Minimum Load Requirements per dimming manufacturer

TRIAC Wiring Diagram



#### Compatible Dimmers†:

Wall Box (Incandescent Style, Wattage as required)		Central System
Lutron "Diva"	Lutron "Vareo"	Lutron "GP" Panel
Lutron "Nova-T"	Lutron "Skylark"	Lutron Grafik Eye QS
Lutron "Maestro"		

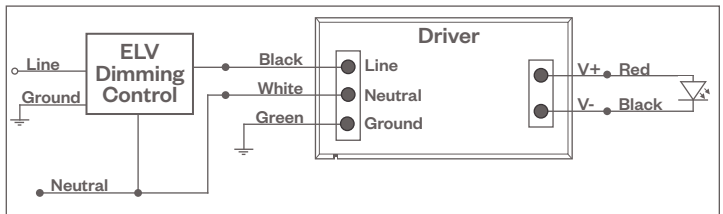
### ELV - Electronic Low Voltage (Reverse Phase) DIMMING (Standard)

Utilizes specialized "ELV" dimmers.

#### Notes:

- 120V or 277V\*
- Dims down to less than 5% light output (most cases)
- Consult Dimming manufacturer for installation instructions - DO NOT SHARE NEUTRALS!
- Must meet dimmer Minimum Load Requirements

ELV Wiring Diagram



#### Compatible Dimmers†:

Wall Box (ELV Style)		Central System
Lutron "Diva"	Leviton "Surslide"	Lutron "GP" Panel with PHPM-PA Interface
Lutron "Nova-T"	Leviton "Vizio"	Lutron Grafik Eye QS with PHPM-PA Interface
Lutron "Maestro"		
Lutron "Vareo"		
Lutron "Skylark"		

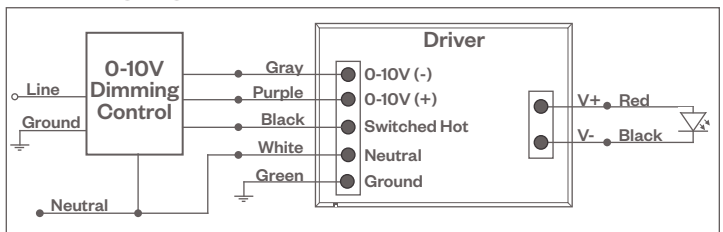
### 0-10V - DIMMING (-0-10V Option)

Integrates into a variety of building management and daylighting controls

#### Notes:

- 120V or 277V\*
- Dims down to 1% light output
- Requires interface to turn off power to driver
- Consult Dimming manufacturer for installation instructions - DO NOT SHARE NEUTRALS!

0-10V Wiring Diagram



#### Compatible Dimmers†:

Wall Box	Central System
Lutron "Diva" - DVTV with PP-120H Interface	Leviton Renoir II 0-10V
	Lutron Grafik Eye with GRX-TVI Interface

#### Notes:

- \* Driver is 277V dimmable with appropriate dimmer (by others). All provided wiring diagrams show 120V wiring colors and method. Please refer to 277V dimmer installation instructions for 277V wiring diagrams.
- † The absence of a dimmer from the lists above does not imply incompatibility. Please consult factory for compatibility inquiries.

# Evoke<sup>®</sup> 2.9" HP

2.9" Round Lens Wall Wash



## PROJECT:

## TYPE:

### DIMMING COMPATIBILITY:

Amerlux<sup>®</sup> Evoke fixtures are compatible with all major dimming protocols prevalent in the United States. Please see below for general compatibilities and wiring diagrams. Amerlux recommends testing your unique dimming configuration as the exact full configuration (Dimmer, Fixture Quantity, Voltage, etc) may affect dimming performance.

**--- NOTE: INFORMATION BELOW IS FOR WIRED DIMMERS ONLY. FOR WIRELESS DIMMERS, CONSULT FACTORY ---**

### LUTRON H-SERIES / ECOSYSTEM (-HILUME-H-ECO Option)

Integrates into Lutron EcoSystem building management

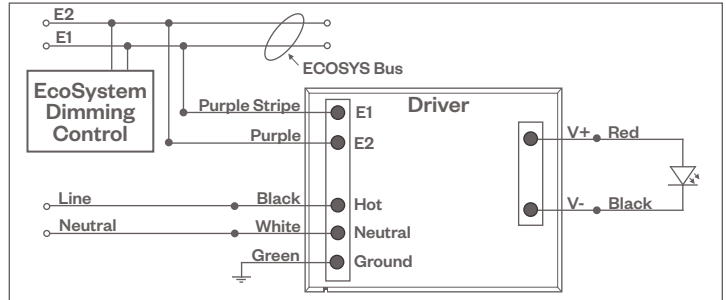
#### Notes:

- 120V or 277V\*
- Dims down to 1% light output
- EcoSystem Control
- Consult Dimming manufacturer for installation instructions - DO NOT SHARE NEUTRALS!

#### Compatible Dimmers†:

Wall Box	Central System
Lutron "Diva"	Lutron EcoSystem compatible controls
Lutron "Nova-T"	
Lutron "Maestro"	
Lutron "Vareo"	

### HILUME-H-ECO, HILUME-5-ECO EcoSystem Digital Control Wiring Diagram



### DALI DIMMING (-DALI OPTION)

Digital control protocol allows individual fixture control

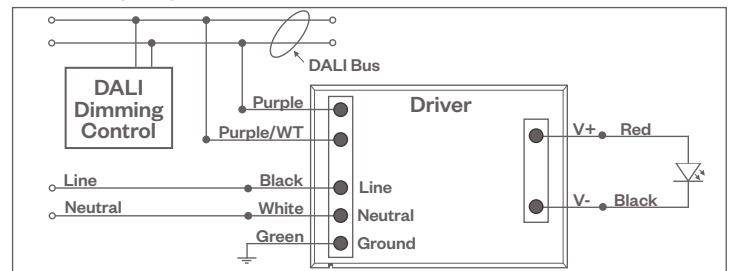
#### Notes:

- 120V - 277V\*
- Dims down to 1% light output in most cases

#### Compatible Dimmers†:

Wall Box (3-Wire Fluorescent)	Central System
Leviton CD250 Controller	Dynalite Fifth Light

### DALI Wiring Diagram



#### Notes:

- \* Driver is 277V dimmable with appropriate dimmer (by others). All provided wiring diagrams show 120V wiring colors and method. Please refer to 277V dimmer installation instructions for 277V wiring diagrams.
- † The absence of a dimmer from the lists above does not imply incompatibility. Please consult factory for compatibility inquiries.