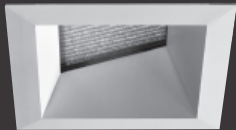


# Evoke® 2.9" HP

## 2.9" Square Lens Wall Wash



Lens Wall Wash

### Features

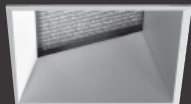
Evoke 2.9 LED fixtures are now available with a higher performance LED module providing 11W, 18W or 20W of lighting power. Featuring the fit, finish and attention to detail of the existing Evoke® line, bringing true performance and control in a fixed downlight, adjustable, wall washer and pinhole. Everything you desire from a small aperture recessed downlight with lumen delivery, energy efficiency, dimming control and color consistency is now a reality in Evoke.

### Product Overview

Type:	Recessed Square Wall Wash
Wattage:	11, 18, 20
Lumen Output:	997 max; 51 Lm/W
OBCP:	1,120 max
Color Temp:	2200K, 2700K, 3000K, 3500K, 4000K
CRI:	83 typ. (2700K, 3000K, 3500K, 4000K) 90+ typ. (2200K, 2700K, 3000K, 3500K, 4000K) CrispWhite (18W max) & 3K Class A available
Dimming:	TRIAC & ELV (120V/277V) - 5% Dim Lutron Hi-lume® H Series/EcoSystem - 1% dim with soft on, fade to black, 120V/277V 0-10V (120V/277V) - 1% Dim DALI dimming - 1% Dim

### PROJECT:

### TYPE:



Lens Wall Wash Trimless

### Fixture Type

Round/Square	New Construction	Trim	Trimless
Yes	Yes	Yes	Yes

See separate spec for Round trim fixture

### Performance Chart

Watts	Delivered Lumens	LPW	OBCP	Color Temp
11	548	50	616	3000K-83
18*	897	50	1,008	3000K-83
20*	997	51	1,120	3000K-83

Data is based on 3000K-83 IES files available on website

\*2W thermal protector included on 18W & 20W

### Electrical Data

	11W		18W*		20W*	
	System Watts	Amps	System Watts	Amps	System Watts	Amps
120V	11	0.09	18	0.15	20	0.17
277V	11	0.04	18	0.06	20	0.07

Electronic constant current LED driver

\*2W thermal protector included on 18W & 20W



# Evolve<sup>®</sup> 2.9" HP

2.9" Square Lens Wall Wash



## PROJECT:

## TYPE:

### Housing/Frame Ordering Information

1	2	3	4	5	6	7
<b>1</b> <u>Model</u> For New Construction <b>E2.9SLW-HP-NC-A17*</b> (New Construction) <b>E2.9SLW-HP-CP-A17*</b> (Chicago Plenum (CCEA) housing) <b>E2.9SLW-HP-IC-A17*</b> (Insulated Ceiling/air tight, 11W only)	<b>2</b> <u>Style</u> T - trimmed TL - trimless (not available for use with Grid ceiling)	<b>3</b> <u>Wattage</u> 11 18 (not available for use with IC housing) 20 (not available for use with IC housing)	<b>4</b> <u>Voltage</u> 120 277 120/277 (for use with IC housing only)	<b>5</b> <u>Ceiling Mounting</u> GB - gyb board, 5/8" deep collar GRID - grid, 1" deep collar (not available for use with trimless option) <i>For other ceiling type, consult factory</i>	<b>6</b> <u>Color Temp</u> 83 CRI                      90+ CRI 27 - 2700K-83      229 - 2200K-90+ <b>CRISP</b> - CrispWhite (18W max) 30 - 3000K-83      279 - 2700K-90+ 35 - 3500K-83      309 - 3000K-90+ <b>3CLA</b> - 3K Class A 40 - 4000K-83      359 - 3500K-90+ 409 - 4000K-90+	<b>7</b> <u>Driver</u> (for non-dimming, select LE/TE option) LE/TE - TRIAC/ELV dimming HILUME-H-ECO - Lutron Hi-lume <sup>®</sup> H Series, EcoSystem, 1% dim with soft on, fade to black 0-10V - 0-10V dimming, 1% dim DALI - DALI dimming, 1% dim

### Trim Ordering Information

E2.9SLW-HP-A17		
1	2	3
<b>1</b> <u>Model</u> <b>E2.9SLW-HP-A17*</b>	<b>2</b> <u>Style</u> T - trimmed TL - trimless (not available for use with Grid ceiling)	<b>3</b> <u>Finish (Trimmed)</u> MBW - matte black, white flange MWW - matte white, white flange SLVW - matte silver, white flange  <u>For Trimless fixtures</u> MB - matte black MW - matte white SLV - matte silver

\* The "A" refers to the sequential revision in a year and "XX" refers to the year of update. Updates coincide with improved performance while not changing the overall fixture aesthetic and are reflected in the published performance data. Please contact your Amerlux representative for explanations of changes.

# Evoke<sup>®</sup> 2.9" HP

2.9" Square Lens Wall Wash



## PROJECT:

## TYPE:

### Specifications

#### Application

Retail and commercial wall wash lighting

#### Housing Construction

20 ga. steel painted matte black  
Formed aperture plate with 5/8" lip (GB-standard)  
Cast aluminum plaster frame with perforated face (for trimless option)  
Integral adjustable locking mounting bars  
Thermally protected

#### Reflector Trim Construction

Die-cast aluminum reflector with bias cut  
Painted finishes include matte white and optical matte black with matte white flange

#### Optical

Engineered diffuse linear spread lens etched on the interior side

#### LED

##### Color Temp Options:

2200K, 2700K, 3000K, 3500K, 4000K  
CRI: 83 typ. (2700K, 3000K, 3500K, 4000K)  
90+ typ. (2200K, 2700K, 3000K, 3500K, 4000K)  
CrispWhite\* LED available, 18W max  
Class A\*\* 3000K (high CRI, high gamut)

R9 Values: 11 (83 CRI), 55 (92 CRI)

Binning: 3 MacAdam (SDCM)

Life: 50,000+ hrs, > 70% of initial lumens at 50,000 hrs

*\*CrispWhite: CrispWhite Technology delivers the warmth of colors expected from a high 90 CRI solution but also creates the natural crisp white color that is pleasing to the eye. It creates the most impactful lighting ever available, by revealing the richest whites and vibrant colors that pop.*

*\*\*Class A LED: Class A LED's have a CRI > 80 and a GAI > 80. CRI defines color "Naturalness" and GAI defines color "Saturation." Both being high delivers rich colors and pure whites.*

#### Electrical

Wattage: 11, 18, 20

Electronic constant current LED driver, 120V or 277V input (voltage specific TP on 18W & 20W)

**This product complies with IEEE C62.41 for surge endurance up to 2.5KV. Amerlux<sup>®</sup> recommends using additional surge protection with this unit (supplied by others), surge and over voltage damage is not covered under warranty.**

#### Drivers

LE/TE - Leading Edge, TRIAC, forward phase/Trailing Edge, ELV, reverse phase (standard)

0-10V, Lutron and DALI systems also available

See pages 6-7 for more dimming information

#### Finish

Wet paint

#### Mounting

##### For Trimmed fixture:

For use in T-grid or sheetrock ceilings, 5/8" - 1" standard

##### For Trimless fixture:

For use in sheetrock ceilings, ceiling thickness 5/8"

Consult factory for other ceiling thicknesses or for use in millwork ceilings

#### Certifications

CSA damp as tested to UL 1598 standards

Damp location

IC/AT (insulated ceiling/air tight) rated, 11W only, optional

#### Warranty

5 year limited warranty

# Evoke<sup>®</sup> 2.9" HP

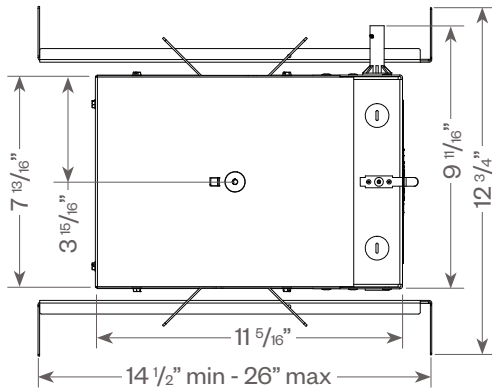
2.9" Square Lens Wall Wash



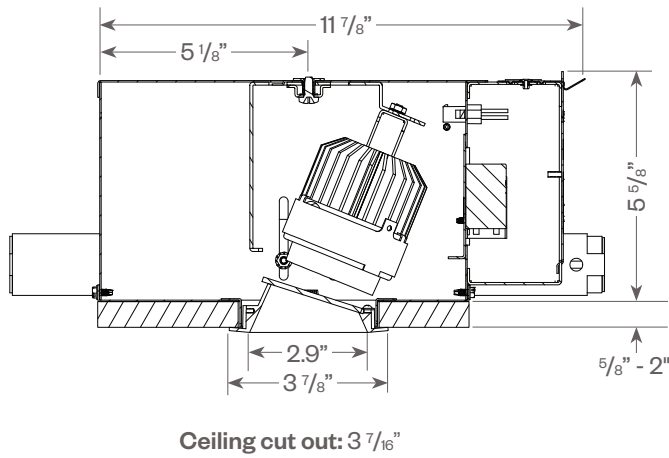
**PROJECT:**

**TYPE:**

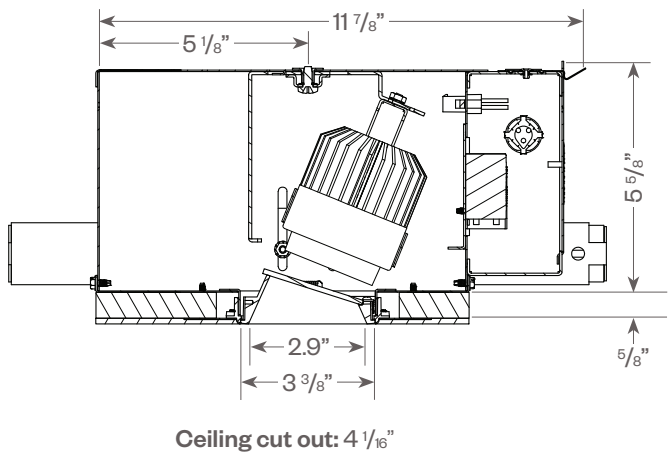
**Evoke HP Square Lens Wall Wash:**



**Trimmed**

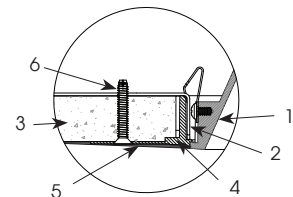


**Trimless**



### Plaster Frame Installation Detail

(for trimless fixture only)



1. Reflector Trim
2. Aperture plate
3. Ceiling 5/8"
4. Cast Aluminum Plaster Frame
5. Plaster Skim Coat (by others)
6. 6-32 Type F Thread Cutting Screw

# Evoke<sup>®</sup> 2.9" HP

2.9" Square Lens Wall Wash



**PROJECT:**

**TYPE:**

**FIXTURE DATA:** (Complete photometric data (.ies format) available upon request)

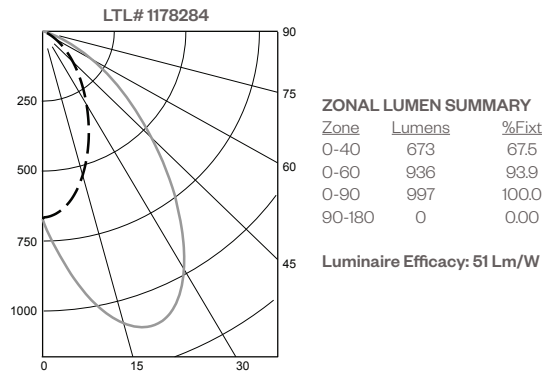
**MULTIPLYING FACTORS:** (Multiplying Factor is based on 3000K-83 120V IES file on website)

Wattage:	11W	18W	20W
Factor:	0.55	0.9	1.0

CCT:	2700K-83	3000K-83	3500K-83	4000K-83
Factor:	0.96	1.0	1.02	1.04

CCT:	2200K-90+	2700K-90+	3000K-90+	3500K-90+	4000K-90+	CRISP	3CLA
Factor:	0.71	0.80	0.83	0.87	0.90	0.65	0.75

**20W 3000K**  
Lumens: 997



**Application Data:**

**Footcandles on Wall**

Footcandles are average and rounded off.  
Data for multiple units are based on a minimum of five units.

**1.5 Feet from Wall**

		← 1.5' →	← 1.5' →	← 1.5' →	← 1.5' →			
Distance from ceiling	0.5'	19	20	20	22	20	20	20
	1.5'	105	110	114	122	114	111	105
	2.5'	82	93	99	104	99	93	82
	3.5'	50	60	65	67	65	60	50
	4.5'	31	37	41	42	41	37	31
	5.5'	21	25	27	28	27	25	21
	6.5'	15	17	19	19	19	17	15
	7.5'	11	13	14	14	14	13	11

**1.5 Feet from Wall**

		← 2' →	← 2' →	← 2' →	← 2' →					
Distance from ceiling	0.5'	19	12	20	13	20	13	20	12	19
	1.5'	95	74	103	75	103	75	103	74	95
	2.5'	71	69	81	72	82	72	81	69	70
	3.5'	42	46	51	49	53	49	51	46	42
	4.5'	26	30	32	33	34	33	32	30	26
	5.5'	17	20	22	22	23	22	22	20	17
	6.5'	12	14	16	16	16	16	16	14	12
	7.5'	9	11	12	12	12	12	12	11	9

**2 Feet from Wall**

		← 2' →	← 2' →	← 2' →	← 2' →					
Distance from ceiling	0.5'	6	6	7	7	7	7	6	6	
	1.5'	52	51	58	53	59	53	58	51	52
	2.5'	58	61	68	65	69	65	68	61	58
	3.5'	44	49	54	53	56	53	54	49	44
	4.5'	30	36	39	40	41	40	39	36	30
	5.5'	22	25	28	29	29	29	28	25	22
	6.5'	16	18	20	21	21	21	20	19	16
	7.5'	12	14	15	16	16	16	15	14	12

# Evoke<sup>®</sup> 2.9" HP

2.9" Square Lens Wall Wash



## PROJECT:

## TYPE:

### DIMMING COMPATIBILITY:

Amerlux<sup>®</sup> Evoke fixtures are compatible with all major dimming protocols prevalent in the United States. Please see below for general compatibilities and wiring diagrams. Amerlux recommends testing your unique dimming configuration as the exact full configuration (Dimmer, Fixture Quantity, Voltage, etc) may affect dimming performance.

**--- NOTE: INFORMATION BELOW IS FOR WIRED DIMMERS ONLY. FOR WIRELESS DIMMERS, CONSULT FACTORY ---**

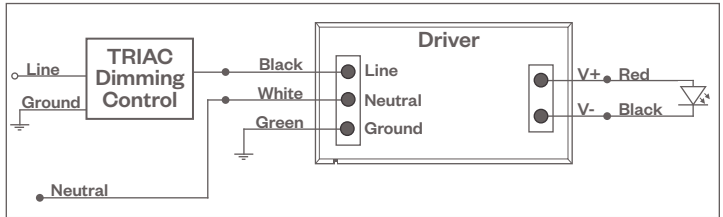
### TRIAC (Forward Phase) DIMMING (Standard)

Utilizes "Standard" incandescent dimmers that are in wide use in installations across the US. Best for retrofit applications where TRIAC dimmers are installed.

#### Notes:

- 120V or 277V\*
- Dims down to less than 5% light output (most cases)
- Consult Dimming manufacturer for installation instructions - DO NOT SHARE NEUTRALS!
- Must meet dimmer Minimum Load Requirements per dimming manufacturer

TRIAC Wiring Diagram



#### Compatible Dimmers†:

Wall Box (Incandescent Style, Wattage as required)		Central System
Lutron "Diva"	Lutron "Vareo"	Lutron "GP" Panel
Lutron "Nova-T"	Lutron "Skylark"	Lutron Grafik Eye QS
Lutron "Maestro"		

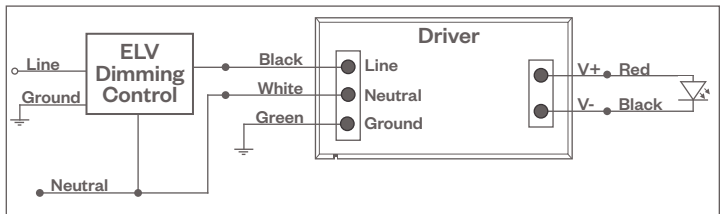
### ELV - Electronic Low Voltage (Reverse Phase) DIMMING (Standard)

Utilizes specialized "ELV" dimmers.

#### Notes:

- 120V or 277V\*
- Dims down to less than 5% light output (most cases)
- Consult Dimming manufacturer for installation instructions - DO NOT SHARE NEUTRALS!
- Must meet dimmer Minimum Load Requirements

ELV Wiring Diagram



#### Compatible Dimmers†:

Wall Box (ELV Style)		Central System
Lutron "Diva"	Leviton "Surslide"	Lutron "GP" Panel with PHPM-PA Interface
Lutron "Nova-T"	Leviton "Vizio"	Lutron Grafik Eye QS with PHPM-PA Interface
Lutron "Maestro"		
Lutron "Vareo"		
Lutron "Skylark"		

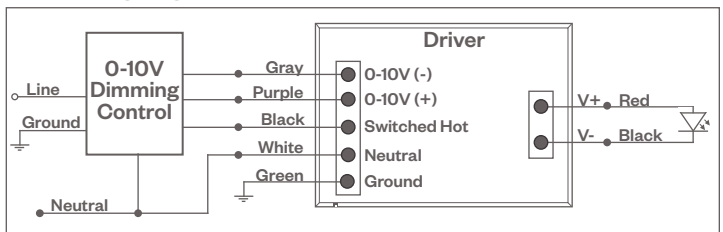
### 0-10V - DIMMING (-0-10V Option)

Integrates into a variety of building management and daylighting controls

#### Notes:

- 120V or 277V\*
- Dims down to 1% light output
- Requires interface to turn off power to driver
- Consult Dimming manufacturer for installation instructions - DO NOT SHARE NEUTRALS!

0-10V Wiring Diagram



#### Compatible Dimmers†:

Wall Box	Central System
Lutron "Diva" - DVTV with PP-120H Interface	Lutron Grafik Eye with GRX-TVI Interface
Leviton Renoir II 0-10V	

#### Notes:

- \* Driver is 277V dimmable with appropriate dimmer (by others). All provided wiring diagrams show 120V wiring colors and method. Please refer to 277V dimmer installation instructions for 277V wiring diagrams.
- † The absence of a dimmer from the lists above does not imply incompatibility. Please consult factory for compatibility inquiries.

# Evoke<sup>®</sup> 2.9" HP

2.9" Square Lens Wall Wash



## PROJECT:

## TYPE:

### DIMMING COMPATIBILITY:

Amerlux<sup>®</sup> Evoke fixtures are compatible with all major dimming protocols prevalent in the United States. Please see below for general compatibilities and wiring diagrams. Amerlux recommends testing your unique dimming configuration as the exact full configuration (Dimmer, Fixture Quantity, Voltage, etc) may affect dimming performance.

**--- NOTE: INFORMATION BELOW IS FOR WIRED DIMMERS ONLY. FOR WIRELESS DIMMERS, CONSULT FACTORY ---**

### LUTRON H-SERIES / ECOSYSTEM (-HILUME-H-ECO Option)

Integrates into Lutron EcoSystem building management

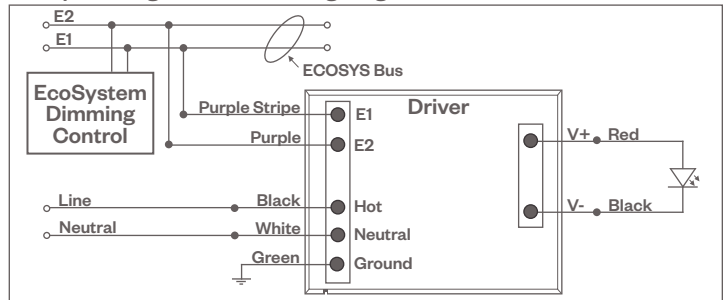
#### Notes:

- 120V or 277V\*
- Dims down to less than 5% light output
- EcoSystem Control
- Consult Dimming manufacturer for installation instructions - DO NOT SHARE NEUTRALS!

#### Compatible Dimmers†:

Wall Box	Central System
Lutron "Diva"	Lutron EcoSystem compatible controls
Lutron "Nova-T"	
Lutron "Maestro"	
Lutron "Vareo"	

### HILUME-H-ECO, HILUME-5-ECO EcoSystem Digital Control Wiring Diagram



### DALI DIMMING (-DALI OPTION)

Digital control protocol allows individual fixture control

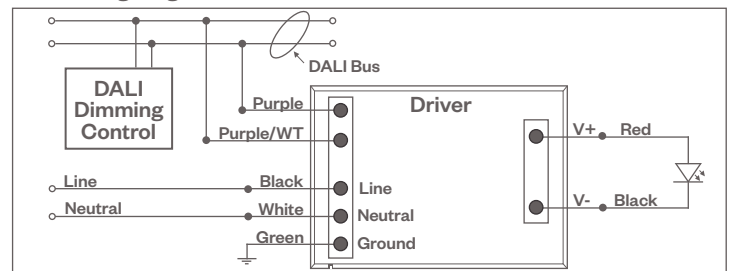
#### Notes:

- 120V - 277V\*
- Dims down to 1% light output in most cases

#### Compatible Dimmers†:

Wall Box (3-Wire Fluorescent)	Central System
Leviton CD250 Controller	Dynalite
	Fifth Light

### DALI Wiring Diagram



#### Notes:

- \* Driver is 277V dimmable with appropriate dimmer (by others). All provided wiring diagrams show 120V wiring colors and method. Please refer to 277V dimmer installation instructions for 277V wiring diagrams.
- † The absence of a dimmer from the lists above does not imply incompatibility. Please consult factory for compatibility inquiries.