

Classix® 6"

6" Round Lens Downlight



Features

The Classix lensed downlight shines new light on your bigger jobs. With a unique Amerlux® blend of architectural form and function, Classix performs perfectly in large retail and commercial spaces. Designed for higher ceilings, this downlight features high output and a commercial grade lens providing for a very wide flood beam distribution. Remodeler version is ideal for existing applications as this fixture installs from-below into ceilings.

Product Overview

Type:	Recessed Round Downlight
Wattage:	25, 34, 45, 52
Lumen Output:	3,647max; 70 Lm/W (52W data)
CBCP:	3,137 max (52W data)
Color Temp:	2700K, 3000K, 3500K, 4000K, CRISP
CRI:	83 typ. (2700K, 3000K, 3500K, 4000K) 90+ typ. (2700K, 3000K)
Dimming:	CrispWhite & 3K Class A LEDs available TRIAC & ELV (120V/277V) - 5% Dim 0-10V (120V/277V) - 1% Dim DALI dimming

PROJECT:

TYPE:

Fixture Type

Round	New Construction	Remodeler	Trim
Yes	Yes	Yes	Yes

Performance Chart

Watts	Delivered Lumens	LPW	CBCP	Color Temp
25	1,933	78.1	1,665	3000K-83
34	2,589	76.2	2,227	3000K-83
45	3,282	72.9	2,823	3000K-83
52	3,647	70	3,137	3000K-83

Data is based on 52W 3000K-83 IES files available on website
See page 5 for other beam spreads

Electrical Data

	25W		34W		45W		52W	
	System Watts	Amps	System Watts	Amps	System Watts	Amps	System Watts	Amps
120V	25	0.21	34	0.28	45	0.38	52	0.43
277V	25	0.09	34	0.12	45	0.16	52	0.19

Electronic constant current LED driver



Classix® 6"

6" Round Lens Downlight



PROJECT:

TYPE:

Housing/Frame Ordering Information



- 1** Model
For New Construction
CLX-R6-NC-A17† (New Construction)

For Existing Ceilings
CLX-R6-REM-A17† (Remodeler)
- 2** Wattage
25
34
45
52
- 3** Voltage
120
277
- 4** Driver (for non-dimming, select LE/TE option)
LE/TE - TRIAC/ELV dimming
0-10V - 0-10V dimming, 1% dim
DALI - DALI dimming, 1% dim (25W, 34W & 46W only)
- 5** Options/Accessories
EM - emergency battery pack with remote test switch (not available for use with REM option)

Trim Ordering Information



- 1** Model
CLX-RLD6-A17†
- 2** Finish
SDW - semi-diffuse, white flange
SDC - semi-diffuse, clear flange (flange finish matches cone finish)
- 3** Beam Spreads
VWF - very wide flood, 65°
- 4** Color Temp
83 CRI 90+ CRI
27 - 2700K-83 **279** - 2700K-90+ **CRISP** - CrispWhite
30 - 3000K-83 **309** - 3000K-90+ **3CLA** - 3K Class A
35 - 3500K-83
40 - 4000K-83

† The "A" refers to the sequential revision in a year and "XX" refers to the year of update. Updates coincide with improved performance while not changing the overall fixture aesthetic and are reflected in the published performance data. Please contact your Amerlux representative for explanations of changes.

Classix® 6"

6" Round Lens Downlight



PROJECT:

TYPE:

Specifications

Application

Retail, commercial and hospitality ambient lighting

Construction

20 ga. galvanized steel frame
18 ga. galvanized steel splice housing and hanger brackets
(not for Remodeler version)
Passive cooling
Extruded aluminum heat sink

Optical

Engineered nano technology lens provides transmission while concealing LED image
Spun aluminum semi-diffuse aperture cone
Very Wide Flood batwing distribution, 65°

LED

Color Temp Options:

2700K, 3000K, 3500K, 4000K

CRI: 83 typ. (2700K, 3000K, 3500K, 4000K)

90+ typ. (2700K, 3000K)

CrispWhite* LED available (see description below)

R9 Values: 11 (83 CRI), 55 (92 CRI)

Binning: 3 MacAdam (SDCM)

Life: 50,000+ hrs, > 70% of initial lumens at 50,000 hrs

**CrispWhite: CrispWhite Technology delivers the warmth of colors expected from a high 90 CRI solution but also creates the natural crisp white color that is pleasing to the eye. It creates the most impactful lighting ever available, by revealing the richest whites and vibrant colors that pop.*

Electrical

Wattage: 25, 34, 45, 52

Electronic constant current LED driver, 120V or 277V input

This product complies with IEEE C62.41 for surge endurance up to 2.5KV. Amerlux® recommends using additional surge protection with this unit (supplied by others), surge and over voltage damage is not covered under warranty.

Drivers

LE/TE - Leading Edge, TRIAC, forward phase/Trailing Edge, ELV, reverse phase (standard)
0-10V and DALI systems also available
See pages 6-7 for more dimming information

Finish (Trim)

Wet paint

Mounting

For use in T-grid or sheetrock ceilings
Adjustable hanger bars included (14 1/2" - 25" std.)
(32"-48" Adjustable hanger bars available, consult factory)

Certifications

CSA damp as tested to UL 1598 standards
Damp location

Warranty

5 year limited warranty

Classix® 6"

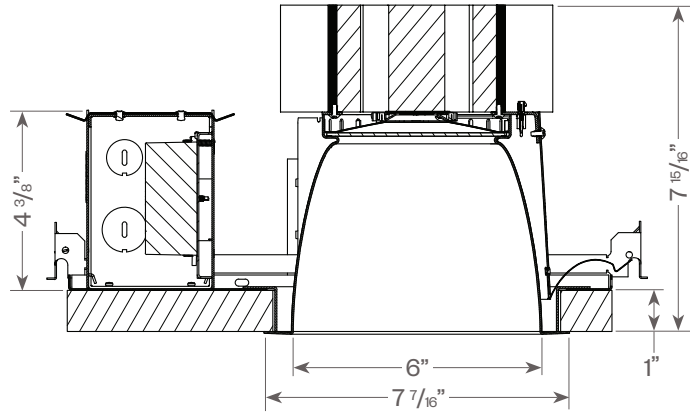
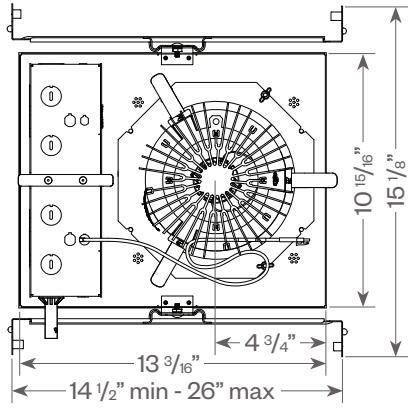
6" Round Lens Downlight



PROJECT:

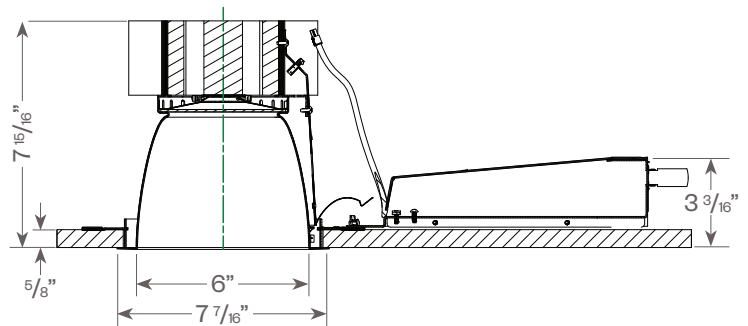
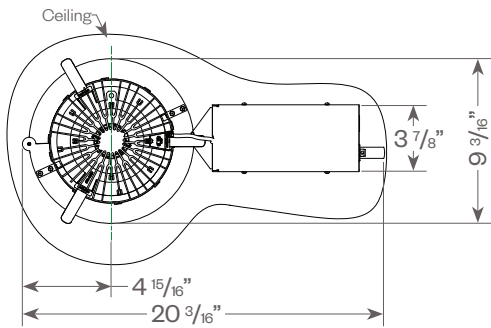
TYPE:

**Classix Round Lens Downlight:
New Construction**



Ceiling cut out: 7" dia.

Remodeler



Ceiling cut out: 7" dia.

Classix® 6"

6" Round Lens Downlight



PROJECT:

TYPE:

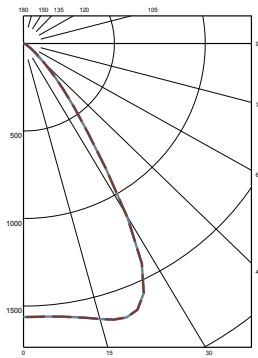
FIXTURE DATA: (Complete photometric data (.ies format) available upon request)

MULTIPLYING FACTORS: (Multiplying Factor is based on 3000K-83 120V IES file on website)

Wattage:	34W	45W	52W
Factor:	0.71	0.90	1.0

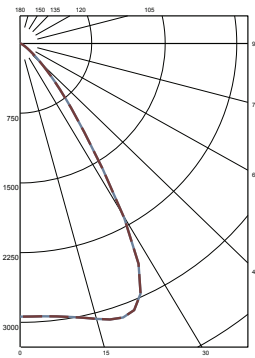
CCT:	2700K-83	3000K-83	3500K-83	4000K-83	2700K-90+	3000K-90+	CRISP	3CLA
Factor:	0.96	1.0	1.02	1.04	0.80	0.83	0.65	0.75

Very Wide Flood Distribution,
LTL #1031470
25W, Lumens: 1,933



Candelas at Nadir	
Deg	Candela
0	1563
5	1566
15	1629
25	1573
35	617
45	181

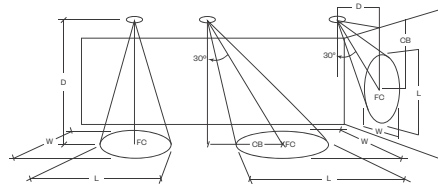
Very Wide Flood Distribution,
LTL #1031468
52W, Lumens: 3,647



Candelas at Nadir	
Deg	Candela
0	2938
5	2945
15	3067
25	2969
35	1167
45	343

Application Data:

		0° Aiming Angle Horizontal Footcandles			
		D	FC	L	W
25W	5.0'	63	5.6	5.6	
	7.5'	28	8.6	8.6	
	10.0'	16	11.4	11.4	
	12.5'	10	14.5	14.5	
52W	5.0'	118	5.6	5.6	
	7.5'	53	8.6	8.6	
	10.0'	30	11.4	11.4	
	12.5'	19	14.4	14.4	



Notes and Definitions:

Beam spread is to 50% center beam candlepower (CBCP).

D=Distance to floor or wall.

FC=Footcandles on floor or wall at center beam aiming location.

L=Effective Visual Beam length in feet (50% of maximum footcandle level).

W=Effective Visual Beam width in feet (50% of maximum footcandle level).

CB=Distance across or down to center beam location.

Classix® 6"

6" Round Lens Downlight



PROJECT:

TYPE:

DIMMING COMPATIBILITY:

Amerlux® Classix fixtures are compatible with all major dimming protocols prevalent in the United States. Please see below for general compatibilities and wiring diagrams. Amerlux recommends testing your unique dimming configuration as the exact full configuration (Dimmer, Fixture Quantity, Voltage, etc) may affect dimming performance.

--- NOTE: INFORMATION BELOW IS FOR WIRED DIMMERS ONLY. FOR WIRELESS DIMMERS, CONSULT FACTORY ---

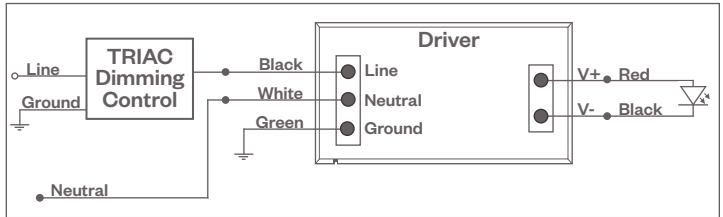
TRIAC (Forward Phase) DIMMING (Standard)

Utilizes "Standard" incandescent dimmers that are in wide use in installations across the US. Best for retrofit applications where TRIAC dimmers are installed.

Notes:

- 120V or 277V*
- Dims down to less than 5% light output (most cases)
- Consult Dimming manufacturer for installation instructions - DO NOT SHARE NEUTRALS!
- Must meet dimmer Minimum Load Requirements per dimming manufacturer

TRIAC Wiring Diagram



Compatible Dimmers†:

Wall Box (Incandescent Style, Wattage as required)		Central System
Lutron "Diva"	Lutron "Vareo"	Lutron "GP" Panel
Lutron "Nova-T"	Lutron "Skylark"	Lutron Grafik Eye QS
Lutron "Maestro"		

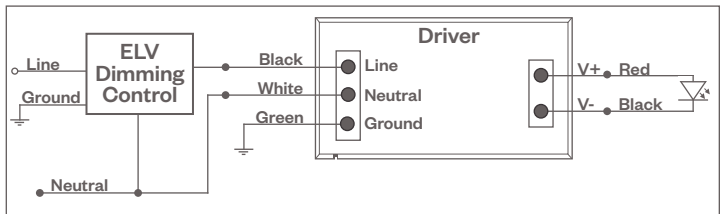
ELV - Electronic Low Voltage (Reverse Phase) DIMMING (Standard)

Utilizes specialized "ELV" dimmers.

Notes:

- 120V or 277V*
- Dims down to less than 5% light output (most cases)
- Consult Dimming manufacturer for installation instructions - DO NOT SHARE NEUTRALS!
- Must meet dimmer Minimum Load Requirements

ELV Wiring Diagram



Compatible Dimmers†:

Wall Box (ELV Style)		Central System
Lutron "Diva"	Leviton "Surslide"	Lutron "GP" Panel with PHPM-PA Interface
Lutron "Nova-T"	Leviton "Vizio"	Lutron Grafik Eye QS with PHPM-PA Interface
Lutron "Maestro"		
Lutron "Vareo"		
Lutron "Skylark"		

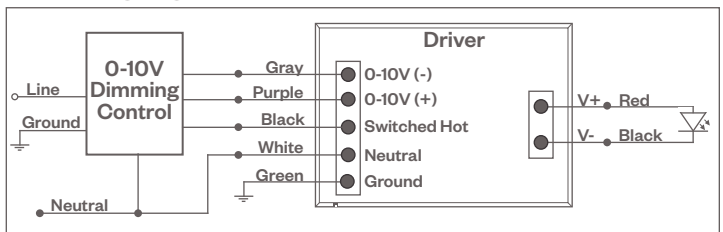
0-10V - DIMMING (-0-10V Option)

Integrates into a variety of building management and daylighting controls

Notes:

- 120V or 277V*
- Dims down to 1% light output
- Requires interface to turn off power to driver
- Consult Dimming manufacturer for installation instructions - DO NOT SHARE NEUTRALS!

0-10V Wiring Diagram



Compatible Dimmers†:

Wall Box	Central System
Lutron "Diva" - DVTV with PP-120H Interface	Leviton Renoir II 0-10V
	Lutron Grafik Eye with GRX-TVI Interface

Notes:

- * Driver is 277V dimmable with appropriate dimmer (by others). All provided wiring diagrams show 120V wiring colors and method. Please refer to 277V dimmer installation instructions for 277V wiring diagrams.
- † The absence of a dimmer from the lists above does not imply incompatibility. Please consult factory for compatibility inquiries.

Classix® 6"

6" Round Lens Downlight



PROJECT:

TYPE:

DIMMING COMPATIBILITY:

Amerlux® Classix fixtures are compatible with all major dimming protocols prevalent in the United States. Please see below for general compatibilities and wiring diagrams. Amerlux recommends testing your unique dimming configuration as the exact full configuration (Dimmer, Fixture Quantity, Voltage, etc) may affect dimming performance.

--- NOTE: INFORMATION BELOW IS FOR WIRED DIMMERS ONLY. FOR WIRELESS DIMMERS, CONSULT FACTORY ---

DALI DIMMING (-DALI OPTION)

Digital control protocol allows individual fixture control

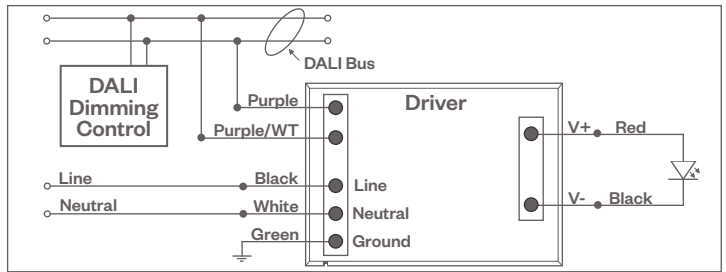
Notes:

- 120V - 277V*
- Dims down to 1% light output in most cases

Compatible Dimmers†:

Wall Box (3-Wire Fluorescent)	Central System
Leviton CD250 Controller	Dynalite Fifth Light

DALI Wiring Diagram



Notes:

- * Driver is 277V dimmable with appropriate dimmer (by others). All provided wiring diagrams show 120V wiring colors and method. Please refer to 277V dimmer installation instructions for 277V wiring diagrams.
- † The absence of a dimmer from the lists above does not imply incompatibility. Please consult factory for compatibility inquiries.