

Classix® 6"

6" Round Adjustable C3



Features

The Classix Adjustable downlight shines new light on your bigger jobs. With a unique Amerlux® blend of architectural form and function, Classix performs perfectly in large retail and commercial spaces. Designed for higher ceilings, this downlight features high output, various beam options.

Product Overview

Type:	Recessed Round Adjustable
Wattage:	18, 21, 25, 29, 33
Color Temp:	2700K, 3000K, 3500K, 4000K, CRISP
CRI:	83 typ. (2700K, 3000K, 3500K, 4000K) 90+ typ. (2700K, 3000K) CrispWhite LED available
Dimming:	TRIAC & ELV (120V/277V) - 5% Dim 0-10V (120V/277V) - 1% Dim DALI dimming

PROJECT:

TYPE:

Fixture Type

Round	New Construction	Trim
Yes	Yes	Yes

Electrical Data

	18W		21W		25W	
	System Watts	Amps	System Watts	Amps	System Watts	Amps
120V	18	0.15	21	0.18	25	0.21
277V	18	0.06	21	0.08	25	0.08

	29W		33W	
	System Watts	Amps	System Watts	Amps
120V	29	0.24	33	0.28
277V	29	0.10	33	0.12

Electronic constant current LED driver



Classix® 6" Round Adj C3

6" Round Adjustable C3



PROJECT:

TYPE:

Housing/Frame Ordering Information

CLX-RA6-C3-NC-A17



- | | |
|--|---|
| 1 <u>Model</u>
For New Construction
CLX-RA6-C3-NC-A17 [†] (New Construction) | 5 <u>Color Temp</u>
83 CRI 90+ CRI
27 - 2700K-83 279 - 2700K-90+ CRISP - CrispWhite
30 - 3000K-83 309 - 3000K-90+
35 - 3500K-83
40 - 4000K-83 |
| 2 <u>Wattage</u>
18
21
25
29
33 | 6 <u>Driver</u> (for non-dimming, select LE/TE option)
LE/TE - TRIAC/ELV dimming
0-10V - 0-10V dimming, 1% dim
DALI - DALI dimming, 1% dim (25W) |
| 3 <u>Voltage</u>
120
277 | 7 <u>Options/Accessories</u>
HEX - hexcell louver |
| 4 <u>Beam Spreads</u>
SP - spot, 15°
FL - flood, 25°
WF - wide flood, 40° | |

Trim Ordering Information

CLX-RA6-C3-A17



- | |
|--|
| 1 <u>Model</u>
CLX-RA6-C3-A17 [†] |
| 2 <u>Finish</u>
SDW - semi-diffuse, white flange
SDC - semi-diffuse, clear flange (flange finish matches cone finish) |

[†] The "A" refers to the sequential revision in a year and "XX" refers to the year of update. Updates coincide with improved performance while not changing the overall fixture aesthetic and are reflected in the published performance data. Please contact your Amerlux representative for explanations of changes.

Classix® 6" Round Adj C3

6" Round Adjustable C3



PROJECT:

TYPE:

Specifications

Application

Retail, commercial and hospitality accent and display lighting

Construction

20 ga. steel painted matte black
Formed aperture plate with 5/8" lip
Integral adjustable locking mounting bars
Thermally protected
Die-cast lamp housing and heat sink

Reflector Construction

Spun aluminum self-flanged reflector with angle cut
Semi-diffuse aperture finish in both white and clear flange
Steel mounting ring with torsion spring

Optical

0-35° tilt, 360°+ rotation
Beam options: Spot, 15°; Flood, 25°; Wide Flood, 40°
Field interchangeable spun aluminum reflectors

LED

Color Temp Options:
2200K, 2700K, 3000K, 3500K, 4000K
CRI: 83 typ. (2700K, 3000K, 3500K, 4000K)
90+ typ. (2200K, 2700K, 3000K)
CrispWhite* LED available
R9 Values: 11 (83 CRI), 55 (92 CRI)
Binning: 3 MacAdam (SDCM)
Life: 50,000+ hrs, > 70% of initial lumens at 50,000 hrs

**CrispWhite: CrispWhite Technology delivers the warmth of colors expected from a high 90 CRI solution but also creates the natural crisp white color that is pleasing to the eye. It creates the most impactful lighting ever available, by revealing the richest whites and vibrant colors that pop.*

Electrical

Wattage: 18, 21, 25, 29, 33
Electronic constant current LED driver, 120V or 277V input
This product complies with IEEE C62.41 for surge endurance up to 2.5KV. Amerlux® recommends using additional surge protection with this unit (supplied by others), surge damage is not covered under warranty.

Drivers

LE/TE - Leading Edge, TRIAC, forward phase/Trailing Edge, ELV, reverse phase (standard)
0-10V and DALI systems also available
See pages 5-6 for more dimming information

Finish

Wet paint

Mounting

For use in T-grid or sheetrock ceilings
Hanger bars included

Certifications

CSA damp as tested to UL 1598 standards
Damp location

Warranty

5 year limited warranty

Classix® 6" Round Adj C3

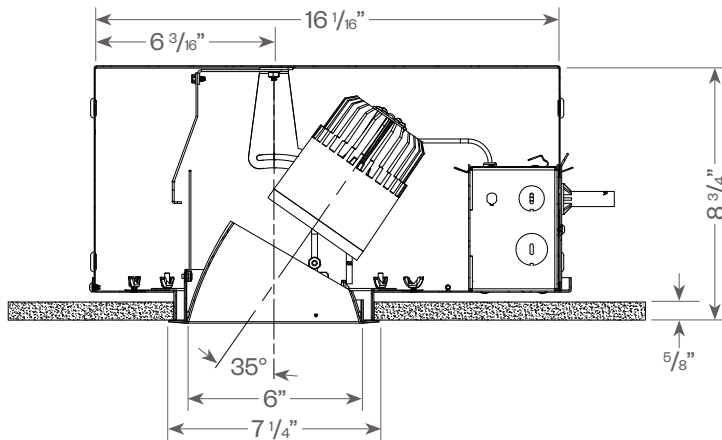
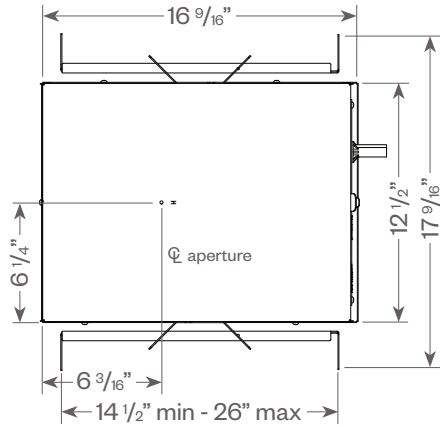
6" Round Adjustable C3



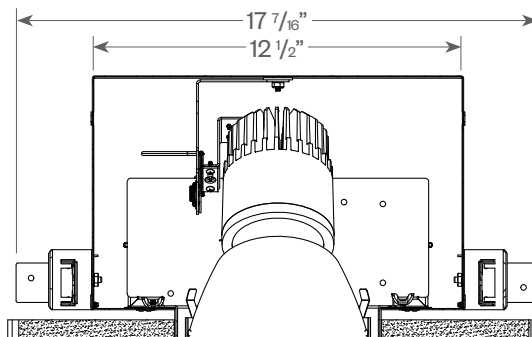
PROJECT:

TYPE:

Classix Round Adjustable:



Ceiling cut out: 6 7/8" dia.



Classix® 6" Round Adj C3

6" Round Adjustable C3



PROJECT:

TYPE:

DIMMING COMPATIBILITY:

Amerlux® Classix fixtures are compatible with all major dimming protocols prevalent in the United States. Please see below for general compatibilities and wiring diagrams. Amerlux recommends testing your unique dimming configuration as the exact full configuration (Dimmer, Fixture Quantity, Voltage, etc) may affect dimming performance.

--- NOTE: INFORMATION BELOW IS FOR WIRED DIMMERS ONLY. FOR WIRELESS DIMMERS, CONSULT FACTORY ---

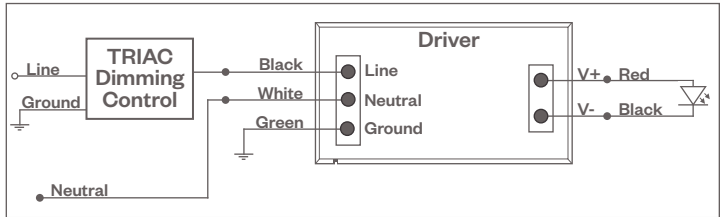
TRIAC (Forward Phase) DIMMING (Standard)

Utilizes "Standard" incandescent dimmers that are in wide use in installations across the US. Best for retrofit applications where TRIAC dimmers are installed.

Notes:

- 120V or 277V*
- Dims down to less than 5% light output (most cases)
- Consult Dimming manufacturer for installation instructions - DO NOT SHARE NEUTRALS!
- Must meet dimmer Minimum Load Requirements per dimming manufacturer

TRIAC Wiring Diagram



Compatible Dimmers†:

Wall Box (Incandescent Style, Wattage as required)		Central System
Lutron "Diva"	Lutron "Vareo"	Lutron "GP" Panel
Lutron "Nova-T"	Lutron "Skylark"	Lutron Grafik Eye QS
Lutron "Maestro"		

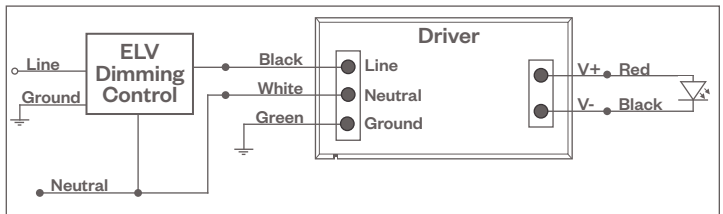
ELV - Electronic Low Voltage (Reverse Phase) DIMMING (Standard)

Utilizes specialized "ELV" dimmers.

Notes:

- 120V or 277V*
- Dims down to less than 5% light output (most cases)
- Consult Dimming manufacturer for installation instructions - DO NOT SHARE NEUTRALS!
- Must meet dimmer Minimum Load Requirements

ELV Wiring Diagram



Compatible Dimmers†:

Wall Box (ELV Style)		Central System
Lutron "Diva"	Leviton "Surslide"	Lutron "GP" Panel with PHPM-PA Interface
Lutron "Nova-T"	Leviton "Vizio"	Lutron Grafik Eye QS with PHPM-PA Interface
Lutron "Maestro"		
Lutron "Vareo"		
Lutron "Skylark"		

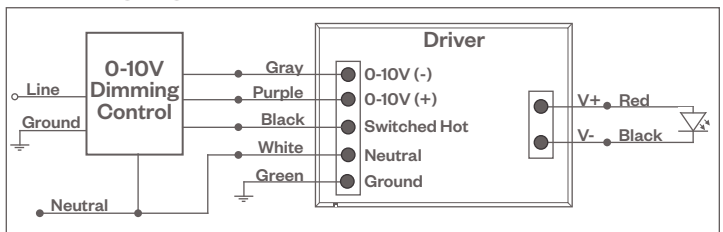
0-10V - DIMMING (-0-10V Option)

Integrates into a variety of building management and daylighting controls

Notes:

- 120V or 277V*
- Dims down to 1% light output
- Requires interface to turn off power to driver
- Consult Dimming manufacturer for installation instructions - DO NOT SHARE NEUTRALS!

0-10V Wiring Diagram



Compatible Dimmers†:

Wall Box	Central System
Lutron "Diva" - DVTV with PP-120H Interface	Leviton Renoir II 0-10V
	Lutron Grafik Eye with GRX-TVI Interface

Notes:

- * Driver is 277V dimmable with appropriate dimmer (by others). All provided wiring diagrams show 120V wiring colors and method. Please refer to 277V dimmer installation instructions for 277V wiring diagrams.
- † The absence of a dimmer from the lists above does not imply incompatibility. Please consult factory for compatibility inquiries.

Classix® 6" Round Adj C3

6" Round Adjustable C3



PROJECT:

TYPE:

DIMMING COMPATIBILITY:

Amerlux® Classix fixtures are compatible with all major dimming protocols prevalent in the United States. Please see below for general compatibilities and wiring diagrams. Amerlux recommends testing your unique dimming configuration as the exact full configuration (Dimmer, Fixture Quantity, Voltage, etc) may affect dimming performance.

--- NOTE: INFORMATION BELOW IS FOR WIRED DIMMERS ONLY. FOR WIRELESS DIMMERS, CONSULT FACTORY ---

DALI DIMMING (-DALI OPTION)

Digital control protocol allows individual fixture control

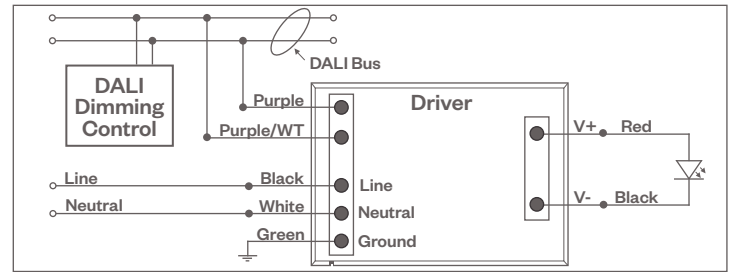
Notes:

- 120V - 277V*
- Dims down to 1% light output in most cases

Compatible Dimmers†:

Wall Box (3-Wire Fluorescent)	Central System
Leviton CD250 Controller	Dynalite Fifth Light

DALI Wiring Diagram



Notes:

* Driver is 277V dimmable with appropriate dimmer (by others). All provided wiring diagrams show 120V wiring colors and method. Please refer to 277V dimming installation instructions for 277V wiring diagrams.