

# Classix® 6" HP

## 6" High Power Round Lens Downlight



### Features

Expanding the Classix downlight family, the Classix High Power (HP) downlights offer a higher wattage, for those areas that need more output. With a unique Amerlux® blend of architectural form and function, Classix performs perfectly in large retail and commercial spaces. Designed for higher ceilings, this downlight features high output and a commercial grade lens.

### Product Overview

Type:	Recessed Round Downlight
Wattage:	73
Lumen Output:	4,794 max; 65.6 Lm/W
CBCP:	3,946 max
Color Temp:	2700K, 3000K, 3500K, Class A
CRI:	83 typ. (2700K, 3000K, 3500K) 90+ typ. (2700K, 3000K, 3500K)
	Class A, 3000K LED available
Dimming:	0-10V (120V/277V) - 1% Dim

PROJECT:

TYPE:

### Fixture Type

Round	New Construction	Trim
Yes	Yes	Yes

### Performance Chart

Watts	Delivered Lumens	LPW	CBCP	Color Temp
73	4,794	65.6	3,777	3000K-83

Data is based on 3000K-83 IES files available on website

### Electrical Data

	73W	
	System Watts	Amps
120V	73	0.61
277V	73	0.26

Electronic constant current LED driver



# Classix® 6" HP

6" High Power Round Lens Downlight



## PROJECT:

## TYPE:

### Housing/Frame Ordering Information

CLX-HP-R6-NC-A17 . 73 . 0-10V .

**1**                      **2**   **3**                      **4**                      **5**

- 1** Model  
For New Construction  
CLX-HP-R6-NC-A17† (New Construction)
- 2** Wattage  
73
- 3** Voltage  
120  
277
- 4** Driver (for non-dimming, select 0-10V option)  
0-10V - 0-10V dimming, 1% dim
- 5** Options/Accessories  
EM - emergency battery pack

### Trim Ordering Information

CLX-HP-RLD6-A17 . VWF .

**1**                      **2**                      **3**                      **4**

- 1** Model  
CLX-HP-RLD6-A17†
- 2** Finish  
SDW - semi-diffuse, white flange  
SDC - semi-diffuse, clear flange (flange finish matches cone finish)
- 3** Beam Spreads  
VWF - very wide flood, 65°
- 4** Color Temp  
83 CRI                      90+ CRI  
27 - 2700K-83    279 - 2700K-90+    3CLA - 3K Class A  
30 - 3000K-83    309 - 3000K-90+  
35 - 3500K-83    359 - 3500K-90+

† The "A" refers to the sequential revision in a year and "XX" refers to the year of update. Updates coincide with improved performance while not changing the overall fixture aesthetic and are reflected in the published performance data. Please contact your Amerlux representative for explanations of changes.

# Classix® 6" HP

6" High Power Round Lens Downlight



## PROJECT:

## TYPE:

### Specifications

#### Application

Retail, commercial and hospitality ambient lighting

#### Construction

- 20 ga. galvanized steel frame
- 18 ga. galvanized steel splice housing and hanger brackets
- Passive cooling
- Extruded aluminum heat sink

#### Optical

- Engineered nano technology lens provides transmission while concealing LED image
- Spun aluminum semi-diffuse aperture cone
- Very Wide Flood batwing distribution, 65°

#### LED

- Color Temp Options:
  - 2700K, 3000K, 3500K
- CRI: 83 typ. (2700K, 3000K, 3500K)
  - 90+ typ. (2700K, 3000K, 3500K)
  - Class A\* 3000K LED available (see description below)
- R9 Values: 11 (83 CRI), 55 (92 CRI)
- Binning: 3 MacAdam (SDCM)
- Life: 50,000+ hrs, > 70% of initial lumens at 50,000 hrs

*\*Class A LED: Class A LED's have a CRI > 80 and a GAI > 80. CRI defines color "Naturalness" and GAI defines color "Saturation." Both being high delivers rich colors and pure whites.*

#### Electrical

- Wattage: 73
- Electronic constant current LED driver, 120V or 277V input
- This product complies with IEEE C62.41 for surge endurance up to 2.5KV. Amerlux® recommends using additional surge protection with this unit (supplied by others), surge and over voltage damage is not covered under warranty.**

#### Drivers

- 0-10V dimming driver
- See page 6 for more dimming information*

#### Finish (Trim)

- Wet paint

#### Mounting

- For use in T-grid or sheetrock ceilings
- Adjustable hanger bars included (14 1/2" - 25" std.)  
*(32"-48" Adjustable hanger bars available, consult factory)*

#### Certifications

- CSA damp as tested to UL 1598 standards
- Damp location

#### Warranty

- 5 year limited warranty

# Classix® 6" HP

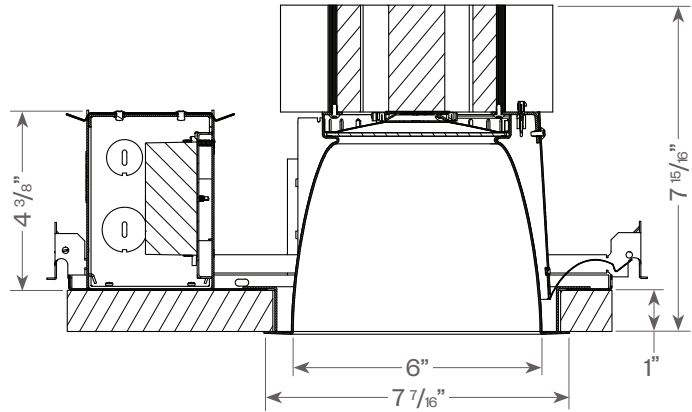
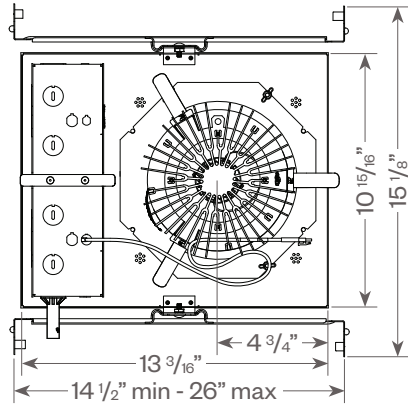
6" High Power Round Lens Downlight



**PROJECT:**

**TYPE:**

**Classix HP Round Lens Downlight:  
New Construction**



Ceiling cut out: 7" dia.

# Classix® 6" HP

6" High Power Round Lens Downlight



## PROJECT:

## TYPE:

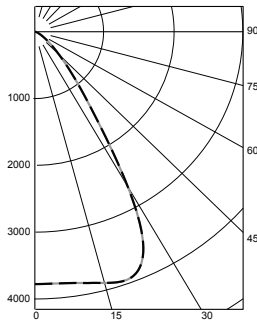
**FIXTURE DATA:** (Complete photometric data (.ies format) available upon request)

**MULTIPLYING FACTORS:** (Multiplying Factor is based on 3000K-83 120V IES file on website)

CCT:	2700K-83	3000K-83	3500K-83	4000K-83	2700K-90+	3000K-90+	3CLA
Factor:	0.96	1.0	1.02	1.04	0.80	0.83	0.75

## 73W LED

Very Wide Flood Distribution,  
LTL #1237690  
Lumens: 4,794; 65.6 Lm/W



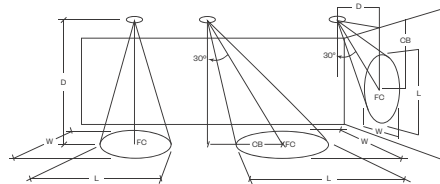
**Candelas at Nadir**

Deg	Candela
0	3777
5	3782
15	3893
25	3707
35	1482
45	525

## Application Data:

0° Aiming Angle  
Horizontal  
Footcandles

Very Wide Flood	D	FC	L	W
	5.0'	152	5.6	5.6
7.5'	68	8.6	8.6	
10.0'	39	11.4	11.4	
12.5'	25	14.4	14.4	



### Notes and Definitions:

Beam spread is to 50% center beam candlepower (CBCP).

**D**=Distance to floor or wall.

**FC**=Footcandles on floor or wall at center beam aiming location.

**L**=Effective Visual Beam length in feet (50% of maximum footcandle level).

**W**=Effective Visual Beam width in feet (50% of maximum footcandle level).

**CB**=Distance across or down to center beam location.

# Classix® 6" HP

6" High Power Round Lens Downlight



## PROJECT:

## TYPE:

### DIMMING COMPATIBILITY:

Amerlux® Classix fixtures are compatible with all major dimming protocols prevalent in the United States. Please see below for general compatibilities and wiring diagrams. Amerlux recommends testing your unique dimming configuration as the exact full configuration (Dimmer, Fixture Quantity, Voltage, etc) may affect dimming performance.

**--- NOTE: INFORMATION BELOW IS FOR WIRED DIMMERS ONLY. FOR WIRELESS DIMMERS, CONSULT FACTORY ---**

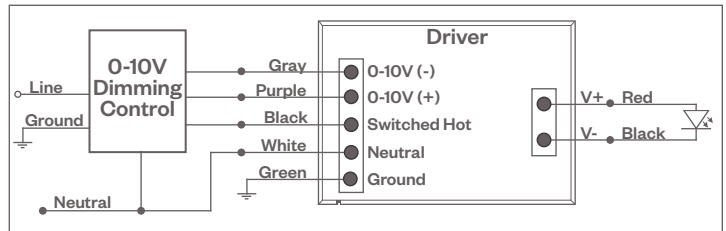
### 0-10V - DIMMING (-0-10V Option)

Integrates into a variety of building management and daylighting controls

#### Notes:

- 120V or 277V\*
- Dims down to 1% light output
- Requires interface to turn off power to driver
- Consult Dimming manufacturer for installation instructions - DO NOT SHARE NEUTRALS!

### 0-10V Wiring Diagram



### Compatible Dimmers†:

#### Wall Box

Lutron "Diva" - DTVV with PP-120H Interface

Leviton Renoir II 0-10V

#### Central System

Lutron Grafik Eye with GRX-TVI Interface

### Notes:

- \* Driver is 277V dimmable with appropriate dimmer (by others). All provided wiring diagrams show 120V wiring colors and method. Please refer to 277V dimmer installation instructions for 277V wiring diagrams.
- † The absence of a dimmer from the lists above does not imply incompatibility. Please consult factory for compatibility inquiries.