

# Classix® 6" HP

## 6" High Power Round Downlight



### Features

The Classix downlight shines new light on your bigger jobs. With a unique Amerlux® blend of architectural form and function, Classix performs perfectly in large retail and commercial spaces. Designed for higher ceilings, this downlight features high output, various beam options, and an optional commercial grade lens.

### Product Overview

Type:	Recessed Round Downlight
Wattage:	73
Lumen Output:	5,412 max (WF); 74.2 Lm/W (WF)
CBCP:	21,245 max (SP)
Color Temp:	2700K, 3000K, 3500K, 4000K, Class A
CRI:	83 typ. (2700K, 3000K, 3500K, 4000K) 90+ typ. (2700K, 3000K, 3500K) Class A, 3000K LED available
Dimming:	0-10V (120V/277V) - 1% Dim

PROJECT:

TYPE:

### Fixture Type

Round	New Construction	Trim
Yes	Yes	Yes

### Performance Chart

Watts	Delivered Lumens	LPW	CBCP	Color Temp
73	4,751	65.2	21,240	3000K-83

Data is based on 3000K-83 IES files available on website  
Data is base on Spot optic. See page XXX for other beam spreads

### Electrical Data

	73W	
	System Watts	Amps
120V	73	0.61
277V	73	0.26

Electronic constant current LED driver



# Classix® 6" HP

6" High Power Round Downlight



## PROJECT:

## TYPE:

### Housing/Frame Ordering Information

CLX-HP-R6-NC-A17 . 73 . 0-10V .

**1**                      **2**   **3**                      **4**                      **5**

- 1** Model  
For New Construction  
CLX-HP-R6-NC-A17† (New Construction)
- 2** Wattage  
73
- 3** Voltage  
120  
277
- 4** Driver (for non-dimming, select 0-10V option)  
0-10V - 0-10V dimming, 1% dim
- 5** Options/Accessories  
EM - emergency battery pack

### Trim Ordering Information

CLX-HP-RD6-A17 . . . .

**1**                      **2**                      **3**                      **4**

- 1** Model  
CLX-HP-RD6-A17†
- 2** Finish  
SDW - semi-diffuse, white flange  
SDC - semi-diffuse, clear flange (flange finish matches cone finish)
- 3** Beam Spreads  
SP - spot, 22°  
FL - flood, 32°  
WF - wide flood, 44°
- 4** Color Temp  
83 CRI                      90+ CRI  
27 - 2700K-83    279 - 2700K-90+    3CLA - 3K Class A  
30 - 3000K-83    309 - 3000K-90+  
35 - 3500K-83    359 - 3500K-90+  
40 - 4000K-83

† The "A" refers to the sequential revision in a year and "XX" refers to the year of update. Updates coincide with improved performance while not changing the overall fixture aesthetic and are reflected in the published performance data. Please contact your Amerlux representative for explanations of changes.

# Classix® 6" HP

6" High Power Round Downlight



## PROJECT:

## TYPE:

### Specifications

#### Application

Retail, commercial and hospitality ambient lighting

#### Construction

20 ga. galvanized steel frame  
18 ga. galvanized steel splice housing and hanger brackets  
(not for Remodeler version)  
Passive cooling  
Extruded aluminum heat sink

#### Optical

Spun aluminum semi-diffuse aperture cone  
Spun aluminum upper reflector  
**Beam Spreads:** Spot, 22°; Flood, 32°; Wide Flood, 44°  
Very Wide Flood, 47°

#### LED

**Color Temp Options:**  
2700K, 3000K, 3500K, 4000K  
**CRI:** 83 typ. (2700K, 3000K, 3500K, 4000K)  
90+ typ. (2700K, 3000K, 3500K)  
Class A\* 3000K LED available (see description below)  
**R9 Values:** 11 (83 CRI), 55 (92 CRI)  
**Binning:** 3 MacAdam (SDCM)  
**Life:** 50,000+ hrs, > 70% of initial lumens at 50,000 hrs

*\*Class A LED: Class A LED's have a CRI > 80 and a GAI > 80. CRI defines color "Naturalness" and GAI defines color "Saturation." Both being high delivers rich colors and pure whites.*

#### Electrical

**Wattage:** 73  
Electronic constant current LED driver, 120V or 277V input  
**This product complies with IEEE C62.41 for surge endurance up to 2.5KV. Amerlux® recommends using additional surge protection with this unit (supplied by others), surge and over voltage damage is not covered under warranty.**

#### Drivers

0-10V dimming driver  
*See page 6 for more dimming information*

#### Finish (Trim)

Wet paint

#### Mounting

For use in T-grid or sheetrock ceilings  
Adjustable hanger bars included (14 1/2" - 25" std.)  
*(32"-48" Adjustable hanger bars available, consult factory)*

#### Certifications

CSA damp as tested to UL 1598 standards  
Damp location

#### Warranty

5 year limited warranty

# Classix® 6" HP

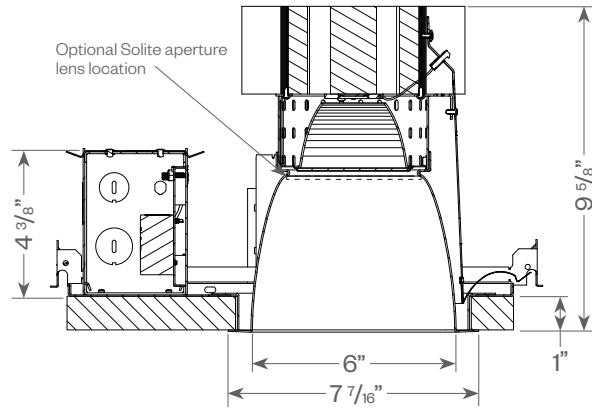
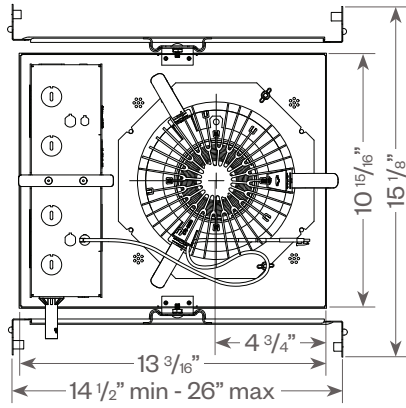
6" High Power Round Downlight



**PROJECT:**

**TYPE:**

**Classix HP Round Downlight:  
New Construction**



Ceiling cut out: 7" dia.

# Classix® 6" HP

6" High Power Round Downlight



**PROJECT:**

**TYPE:**

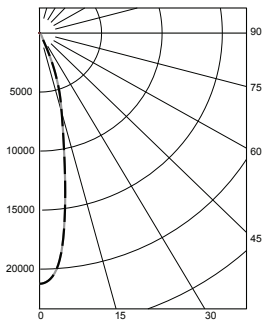
**FIXTURE DATA:** (Complete photometric data (.ies format) available upon request)

**MULTIPLYING FACTORS:** (Multiplying Factor is based on 3000K-83 120V IES file on website)

CCT:	2700K-83	3000K-83	3500K-83	4000K-83	2700K-90+	3000K-90+	3CLA
Factor:	0.96	1.0	1.02	1.04	0.80	0.83	0.75

**73W LED (3000K-83)**

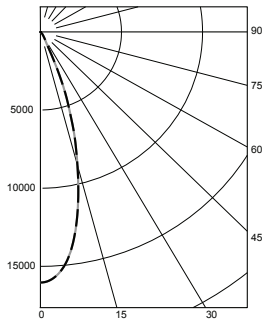
**Spot Distribution**  
LTL #1237691  
Lumens: 4,751; 65.2 Lm/W  
CBCP: 21,240



**Candelas at Nadir**

Deg	Candela
0	21240
5	19280
15	7193
25	1297
35	316
45	120

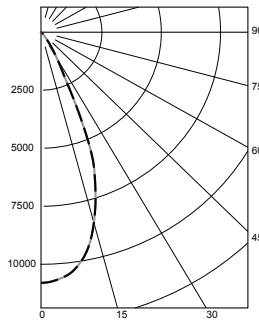
**Flood Distribution**  
LTL #1237693  
Lumens: 5,095; 69.9 Lm/W  
CBCP: 16,030



**Candelas at Nadir**

Deg	Candela
0	16030
5	15260
15	8858
25	1670
35	321
45	114

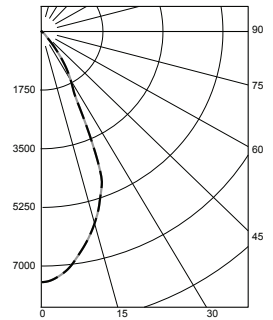
**Wide Flood Distribution**  
LTL #1237695  
Lumens: 5,412; 74.2 Lm/W  
CBCP: 10,800



**Candelas at Nadir**

Deg	Candela
0	10800
5	10600
15	8433
25	3163
35	595
45	115

**Very Wide Flood Distribution**  
LTL #1237697  
Lumens: 4,599; 62.9 Lm/W  
CBCP: 7,480

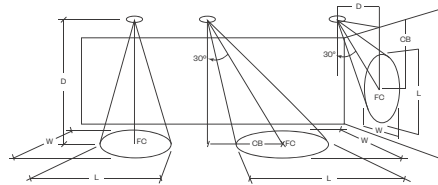


**Candelas at Nadir**

Deg	Candela
0	7480
5	7232
15	5891
25	2817
35	1040
45	188

**Application Data:**

	0° Aiming Angle Horizontal Footcandles			
	D	FC	L	W
<b>SPOT</b>	5.0'	852	1.9	1.9
	7.5'	379	3.1	3.1
	10.0'	213	3.8	3.8
	12.5'	137	4.9	4.9
<b>FLOOD</b>	5.0'	643	2.8	2.8
	7.5'	286	4.0	4.0
	10.0'	161	5.4	5.4
	12.5'	104	6.7	6.7
<b>WIDE FLOOD</b>	5.0'	434	3.6	3.6
	7.5'	193	5.4	5.4
	10.0'	109	7.2	7.2
	12.5'	70	9.0	9.0
<b>VERY WIDE FLOOD</b>	5.0'	300	3.9	3.9
	7.5'	134	5.8	5.8
	10.0'	76	7.9	7.9
	12.5'	49	9.8	9.8



**Notes and Definitions:**

- Beam spread is to 50% center beam candlepower (CBCP).
- D**=Distance to floor or wall.
- FC**=Footcandles on floor or wall at center beam aiming location.
- L**=Effective Visual Beam length in feet (50% of maximum footcandle level).
- W**=Effective Visual Beam width in feet (50% of maximum footcandle level).
- CB**=Distance across or down to center beam location.

# Classix® 6" HP

6" High Power Round Downlight



## PROJECT:

## TYPE:

### DIMMING COMPATIBILITY:

Amerlux® Classix fixtures are compatible with all major dimming protocols prevalent in the United States. Please see below for general compatibilities and wiring diagrams. Amerlux recommends testing your unique dimming configuration as the exact full configuration (Dimmer, Fixture Quantity, Voltage, etc) may affect dimming performance.

**--- NOTE: INFORMATION BELOW IS FOR WIRED DIMMERS ONLY. FOR WIRELESS DIMMERS, CONSULT FACTORY ---**

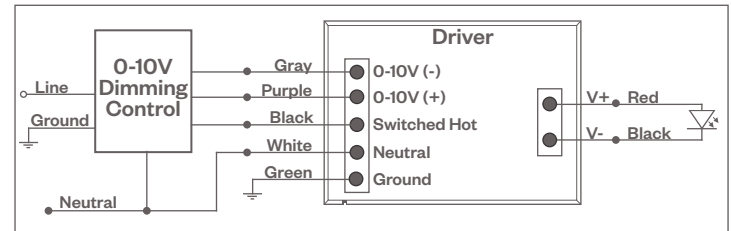
### 0-10V - DIMMING (-0-10V Option)

Integrates into a variety of building management and daylighting controls

#### Notes:

- 120V or 277V\*
- Dims down to 1% light output
- Requires interface to turn off power to driver
- Consult Dimming manufacturer for installation instructions - DO NOT SHARE NEUTRALS!

### 0-10V Wiring Diagram



### Compatible Dimmers†:

#### Wall Box

Lutron "Diva" - DVTV with PP-120H Interface

Leviton Renoir II 0-10V

#### Central System

Lutron Grafik Eye with GRX-TVI Interface

#### Notes:

- \* Driver is 277V dimmable with appropriate dimmer (by others). All provided wiring diagrams show 120V wiring colors and method. Please refer to 277V dimmer installation instructions for 277V wiring diagrams.
- † The absence of a dimmer from the lists above does not imply incompatibility. Please consult factory for compatibility inquiries.