

Evoke® 4.75"

Square Adjustable C3



Adjustable

Features

The Evoke® 4.75 C3 provides many wattage options, ranging from 18 watts to 33 watts with impressive performance, higher lumen delivery and consistent color. Available in Round or Square aperture in a trimmed or trimless version. Suitable for a variety of lighting schemes featuring general accent task and display applications Evoke® 4.75" C3 gives architects and lighting designers the flexibility to complete sustainable lighting designs.

Product Overview

Fixture Type:	Recessed Adjustable
Wattage:	18, 21, 25, 29, 33
Lumen Output:	1942 lm (33W WF)
Color Temp:	2700K, 3000K, 3500K, 4000K
CRI:	83 typ. (2700K, 3000K, 3500K, 4000K) 90+ typ. (2700K, 3000K) CrispWhite LED Available
Dimming:	ELV & TRIAC (120V/277V) Lutron Hi-lume® H Series/EcoSystem - 1% dim with soft on, fade to black, 120V/277V 0-10V (120V/277V) - 1% Dim DALI dimming - 1% Dim

PROJECT:

TYPE:



Trimless

Fixture Type

Round/Square	New Construction	Trim	Trimless
Yes	Yes	Yes	Yes

See separate spec sheet for Round trim

Electrical Data

	18W		21W		25W	
	System Watts	Amps	System Watts	Amps	System Watts	Amps
120V	18	0.15	21	0.18	25	0.21
277V	18	0.06	21	0.08	25	0.09

	29W		33W	
	System Watts	Amps	System Watts	Amps
120V	29	0.24	33	0.28
277V	29	0.10	33	0.12

Electronic constant current LED driver

Includes thermal protector, 2w power consumption



Evolve[®] 4.75"

4.75" Square Adjustable C3



PROJECT:

TYPE:

Housing/Frame Ordering Information

1	2	3	4	5	6	7	8
1 <u>Model</u> For New Construction E4.75SA-C3-NC-A17 (New Construction) E4.75SA-C3-CP-A17 (Chicago Plenum (CCEA))	2 <u>Style</u> T - trimmed TL - trimless (not available for use with Grid ceiling)	3 <u>Wattage</u> 18 21 25 29 33	4 <u>Voltage</u> 120 277	5 <u>Beam Spreads</u> NSP - narrow spot, 10° (based on availability, lead times may vary, consult factory) SP - spot, 15° FL - flood, 25° WF - wide flood, 40°	6 <u>Color Temp</u> 83 CRI 90+ CRI 27 - 2700K-83 279 - 2700K-90+ CRISP* - CrispWhite 30 - 3000K-83 309 - 3000K-90+ 3CLA* - 3K Class A 35 - 3500K-83 359 - 3500K-90+ 40 - 4000K-83 409 - 4000K-90+ * Not available with NSP beam spread	7 <u>Driver</u> (for non-dimming, select LE/TE option) LE/TE - TRIAC/ELV dimming HILUME-H-ECO - Lutron Hi-lume [®] H Series, EcoSystem, 1% dim with soft on, fade to black 0-10V - 0-10V dimming, 1% dim DALI - DALI dimming, 1% dim	8 <u>Options</u> HEX - hexcell louver

Trim Ordering Information

E4.75SA-C3-A17		
1	2	3
1 <u>Model</u> E4.75SA-C3-A17	2 <u>Style</u> T - trimmed TL - trimless (not available for use with Grid ceiling)	3 <u>Finish</u> For Trimmed Fixture MWW - matte white, white flange MBW - matte black, white flange SLVW - matte silver, white flange MBB - matte black, black flange For Trimless Fixture MW - matte white MB - matte black SLV - matte silver

* The "A" refers to the sequential revision in a year and "XX" refers to the year of update. Updates coincide with improved performance while not changing the overall fixture aesthetic and are reflected in the published performance data. Please contact your Amerlux representative for explanations of changes.

Evoke® 4.75"

4.75" Square Adjustable C3



PROJECT:

TYPE:

Specifications

Application

Retail and commercial accent and display lighting

Housing Construction

- 20 ga. steel painted matte black
- Formed aperture plate with 5/8" lip
- Cast aluminum plaster frame with perforated face (for trimless fixture only)
- Integral adjustable locking mounting bars
- Thermally protected
- Die-cast lamp housing and heatsink

Reflector Construction

- Die-cast aluminum seamless trim
- Steel mounting ring with torsion spring

Optical

- 0-35° lockable tilt, 360°+ rotation
- Beam Spreads:** Narrow Spot, 10°; Spot, 15°; Flood, 25°; Wide Flood, 40°

LED

- Color Temp Options:** 2700K, 3000K, 3500K, 4000K
- CRI:** 83 typ. (2700K, 3000K, 3500K, 4000K) 90+ typ. (2700K, 3000K)
- CrispWhite* and 3K Class A** LEDs available
- R9 Values:** 11 (83 CRI), 55 (92 CRI)
- Binning:** 3 MacAdam (SDCM)

**CrispWhite: CrispWhite Technology delivers the warmth of colors expected from a high 90 CRI solution but also creates the natural crisp white color that is pleasing to the eye. It creates the most impactful lighting ever available, by revealing the richest whites and vibrant colors that pop.*

***Class A LED: Class A LED's have a CRI > 80 and a GAI > 80. CRI defines color "Naturalness" and GAI defines color "Saturation." Both being high delivers rich colors and pure whites.*

Electrical

- Wattage:** 18, 21, 25, 29, 33
- Electronic constant current LED driver, 120V/277V input
- This product complies with IEEE C62.41 for surge endurance up to 2.5KV. Amerlux® recommends using additional surge protection with this unit (supplied by others), surge damage is not covered under warranty.**

Drivers

- LE/TE - Leading Edge, TRIAC, forward phase/Trailing Edge, ELV, reverse phase (standard)
- 0-10V, Lutron and DALI systems also available
- See pages 5-6 for more dimming information*

Finish

- Powder Coat/Wet paint
- Consult factory for custom finishes*

Mounting

- 26" Hanger bars included
- Consult factory for hanger bars greater than 26"
- Trimmed Fixture:** For use in grid or sheetrock ceilings, max ceiling thickness 1"
- Trimless Fixture:** For use in sheetrock ceilings, max ceiling thickness 5/8"

Certifications

- CSA approved to UL standards as tested by CSA
- Chicago Plenum (CCEA) option

Warranty

- 5 year limited warranty

Ceiling Types

Gyp Board	Acoustical Tile	Tech Zone	Mill Work*	
5/8" - 1"	3/4" - 2"	6"	3/4"	1 1/2"

* Trimmed only

26" Hanger Bars included. Consult factory for hanger bars greater than 26"

Evoke® 4.75"

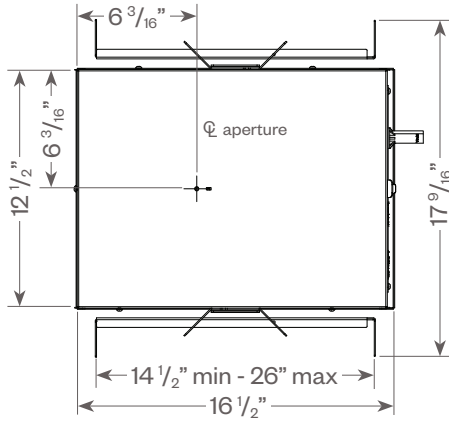
4.75" Square Adjustable C3



PROJECT:

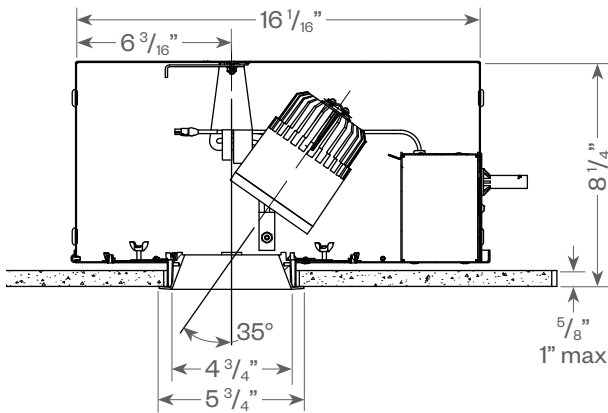
TYPE:

Evoke Round Adjustable C3:

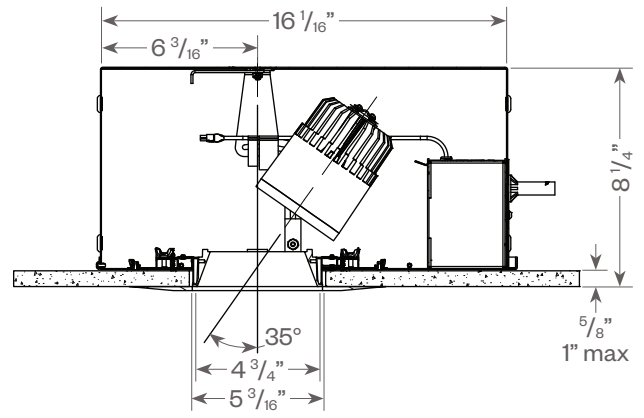


Trimmed

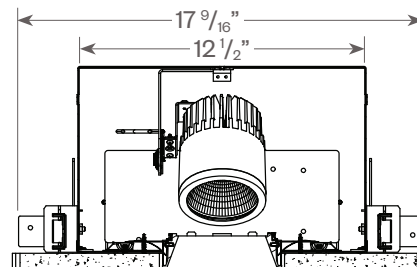
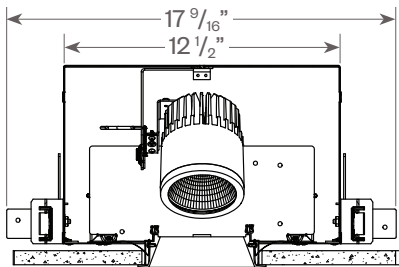
Trimless



Ceiling cut out: 5 1/4" sq.

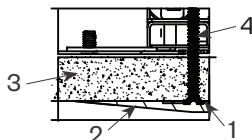


Ceiling cut out: 5 7/8" sq.



Plaster Frame Installation Detail (for trimless fixture only)

1. Cast Aluminum Plaster Frame
2. Plaster Skim Coat (by others)
3. Ceiling
4. Sheetrock Screw



Evoke® 4.75"

4.75" Square Adjustable C3



PROJECT:

TYPE:

FIXTURE DATA: (Complete photometric data (.ies format) available upon request)

MULTIPLYING FACTORS: (Multiplying Factor is based on 3000K-83 120V IES file on website)

CCT:	2700K-83	3000K-83	3500K-83	4000K-83
Factor:	0.96	1.0	1.02	1.04

Wattage:	18W	21W	25W	29W	33W
Factor:	1.0	1.2	1.4	1.6	*

* See data next page.

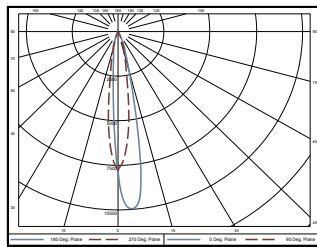
CCT:	2200K-90+	2700K-90+	3000K-90+	3500K-90+	4000K-90+	CRISP	3CLA
Factor:	0.71	0.80	0.83	0.87	0.90	0.65	0.75

18W LED, 3000K-83

Spot (SP) Distribution, 15°

LTL # 1167042

Lumens: 1093 lm



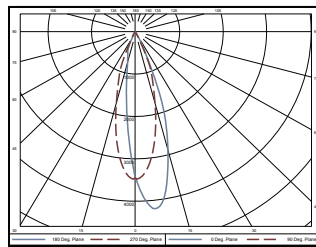
Candelas at Nadir

Deg	Candela
0	7815
5	9947
15	2437
25	398
35	7
45	3

Flood (FL) Distribution, 25°

LTL # 1167041

Lumens: 1045 lm



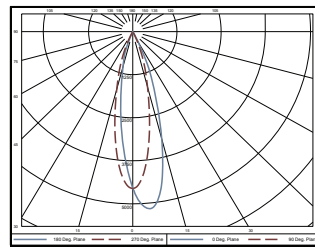
Candelas at Nadir

Deg	Candela
0	3441
5	4148
15	2870
25	534
35	24
45	2

Wide Flood (WF) Distribution, 40°

LTL # 1167043

Lumens: 1108 lm



Candelas at Nadir

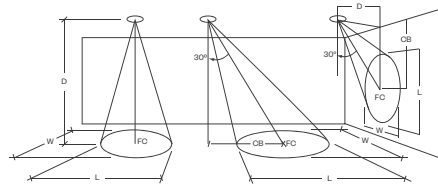
Deg	Candela
0	4558
5	5160
15	3236
25	807
35	27
45	3

Application Data:



**0° Aiming Angle
Horizontal
Footcandles**

	D	FC	L	W
SPOT	5.0'	201	2.2	1.9
	7.5'	119	2.5	2.6
	10.0'	81	2.9	3.1
	12.5'	56	3.4	3.7
FLOOD	5.0'	121	2.6	2.8
	7.5'	66	3.3	3.9
	10.0'	39	4.3	5.1
	12.5'	25	5.3	6.3
WIDE FLOOD	5.0'	145	2.6	2.5
	7.5'	77	3.5	3.3
	10.0'	47	4.4	4.2
	12.5'	31	5.4	5.3



Notes and Definitions:

Beam spread is to 50% center beam candlepower (CBCP).

D=Distance to floor or wall.

FC=Footcandles on floor or wall at center beam aiming location.

L=Effective Visual Beam length in feet (50% of maximum footcandle level).

W=Effective Visual Beam width in feet (50% of maximum footcandle level).

CB=Distance across or down to center beam location.

Evoke® 4.75"

4.75" Square Adjustable C3



PROJECT:

TYPE:

FIXTURE DATA: (Complete photometric data (.ies format) available upon request)

MULTIPLYING FACTORS: (Multiplying Factor is based on 3000K-83 120V IES file on website)

CCT:	2700K-83	3000K-83	3500K-83	4000K-83
Factor:	0.96	1.0	1.02	1.04

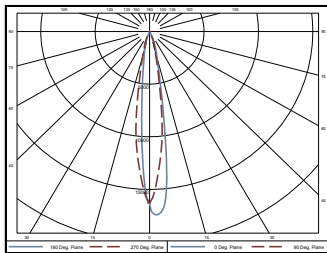
Wattage:	18W	21W	25W	29W	33W
Factor:	*	0.64	0.76	0.89	1.0

* See data on previous page.

CCT:	2200K-90+	2700K-90+	3000K-90+	3500K-90+	4000K-90+	CRISP	3CLA
Factor:	0.71	0.80	0.83	0.87	0.90	0.65	0.75

33W LED, 3000K-83

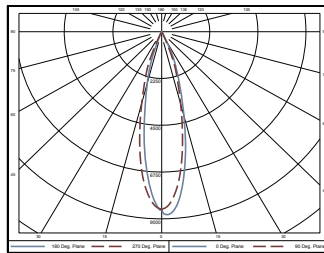
Spot (SP) Distribution, 15°
LTL # 1167045
Lumens: 1856 lm



Candelas at Nadir

Deg	Candela
0	16350
5	16410
15	2767
25	626
35	10
45	3

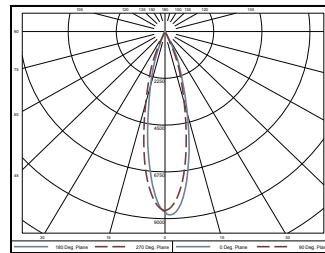
Flood (FL) Distribution, 25°
LTL # 1167044
Lumens: 1940 lm



Candelas at Nadir

Deg	Candela
0	8564
5	8344
15	3912
25	924
35	28
45	4

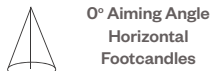
Wide Flood (WF) Distribution, 40°
LTL # 1167046
Lumens: 1942 lm



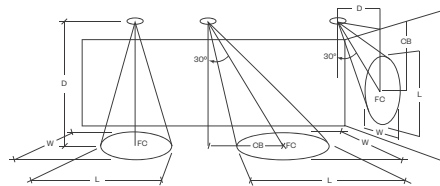
Candelas at Nadir

Deg	Candela
0	8632
5	8311
15	3838
25	851
35	28
45	4

Application Data:



		D	FC	L	W
SPOT	5.0'	392	1.9	1.9	
	7.5'	219	2.4	2.6	
	10.0'	136	3.0	3.2	
	12.5'	92	3.6	3.8	
FLOOD	5.0'	274	2.5	2.6	
	7.5'	136	3.4	3.5	
	10.0'	80	4.4	4.6	
	12.5'	52	5.4	5.6	
WIDE FLOOD	5.0'	275	2.5	2.5	
	7.5'	137	3.4	3.5	
	10.0'	81	4.4	4.5	
	12.5'	53	5.4	5.5	



Notes and Definitions:

Beam spread is to 50% center beam candlepower (CBCP).

D=Distance to floor or wall.

FC=Footcandles on floor or wall at center beam aiming location.

L=Effective Visual Beam length in feet (50% of maximum footcandle level).

W=Effective Visual Beam width in feet (50% of maximum footcandle level).

CB=Distance across or down to center beam location.

Evoke[®] 4.75"

4.75" Square Adjustable C3



PROJECT:

TYPE:

DIMMING COMPATIBILITY:

Amerlux[®] Evoke fixtures are compatible with all major dimming protocols prevalent in the United States. Please see below for general compatibilities and wiring diagrams. Amerlux recommends testing your unique dimming configuration as the exact full configuration (Dimmer, Fixture Quantity, Voltage, etc) may affect dimming performance.

--- NOTE: INFORMATION BELOW IS FOR WIRED DIMMERS ONLY. FOR WIRELESS DIMMERS, CONSULT FACTORY ---

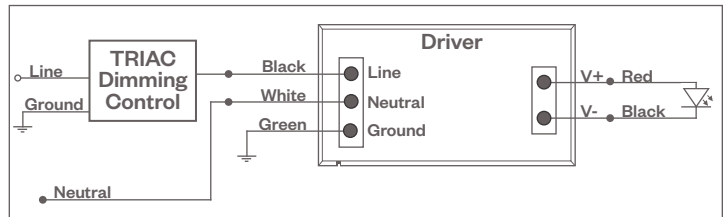
TRIAC (Forward Phase) DIMMING (Standard)

Utilizes "Standard" incandescent dimmers that are in wide use in installations across the US. Best for retrofit applications where TRIAC dimmers are installed.

Notes:

- 120V or 277V*
- Dims down to less than 5% light output (most cases)
- Consult Dimming manufacturer for installation instructions - DO NOT SHARE NEUTRALS!
- Must meet dimmer Minimum Load Requirements per dimming manufacturer

TRIAC Wiring Diagram



Compatible Dimmers†:

Wall Box (Incandescent Style, Wattage as required)		Central System
Lutron "Diva"	Lutron "Vareo"	Lutron "GP" Panel
Lutron "Nova-T"	Lutron "Skylark"	Lutron Grafik Eye QS
Lutron "Maestro"		

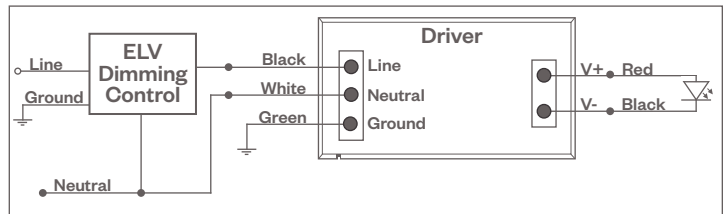
ELV - Electronic Low Voltage (Reverse Phase) DIMMING (Standard)

Utilizes specialized "ELV" dimmers.

Notes:

- 120V or 277V*
- Dims down to less than 5% light output (most cases)
- Consult Dimming manufacturer for installation instructions - DO NOT SHARE NEUTRALS!
- Must meet dimmer Minimum Load Requirements

ELV Wiring Diagram



Compatible Dimmers†:

Wall Box (ELV Style)		Central System
Lutron "Diva"	Leviton "Surslide"	Lutron "GP" Panel with PHPM-PA Interface
Lutron "Nova-T"	Leviton "Vizio"	Lutron Grafik Eye QS with PHPM-PA Interface
Lutron "Maestro"		
Lutron "Vareo"		
Lutron "Skylark"		

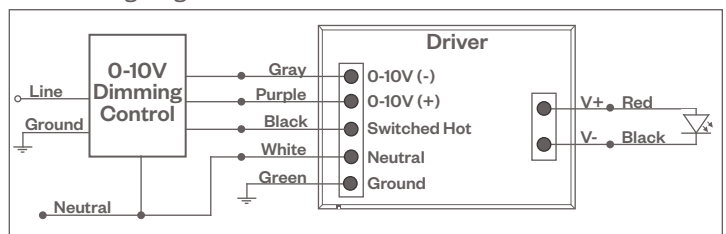
0-10V - DIMMING (-0-10V Option)

Integrates into a variety of building management and daylighting controls

Notes:

- 120V or 277V*
- Dims down to 1% light output
- Requires interface to turn off power to driver
- Consult Dimming manufacturer for installation instructions - DO NOT SHARE NEUTRALS!

0-10V Wiring Diagram



Compatible Dimmers†:

Wall Box	Central System
Lutron "Diva" - DVTV with PP-120H Interface	Lutron Grafik Eye with GRX-TVI Interface
Leviton Renoir II 0-10V	

Notes:

- * Driver is 277V dimmable with appropriate dimmer (by others). All provided wiring diagrams show 120V wiring colors and method. Please refer to 277V dimmer installation instructions for 277V wiring diagrams.
- † The absence of a dimmer from the lists above does not imply incompatibility. Please consult factory for compatibility inquiries.

Evoke® 4.75"

4.75" Square Adjustable C3



PROJECT:

TYPE:

DIMMING COMPATIBILITY:

Amerlux® Evoke fixtures are compatible with all major dimming protocols prevalent in the United States. Please see below for general compatibilities and wiring diagrams. Amerlux recommends testing your unique dimming configuration as the exact full configuration (Dimmer, Fixture Quantity, Voltage, etc) may affect dimming performance.

--- NOTE: INFORMATION BELOW IS FOR WIRED DIMMERS ONLY. FOR WIRELESS DIMMERS, CONSULT FACTORY ---

LUTRON H-SERIES / ECOSYSTEM (-HILUME-H-ECO Option)

Integrates into Lutron EcoSystem building management

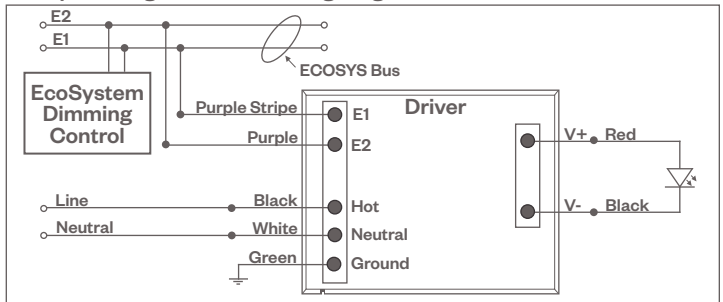
Notes:

- 120V or 277V*
- Dims down to 1% light output
- EcoSystem Control
- Consult Dimming manufacturer for installation instructions - DO NOT SHARE NEUTRALS!

Compatible Dimmers†:

Wall Box	Central System
Lutron "Diva"	Lutron EcoSystem compatible controls
Lutron "Nova-T"	
Lutron "Maestro"	
Lutron "Vareo"	

**HILUME-H-ECO, HILUME-5-ECO
EcoSystem Digital Control Wiring Diagram**



DALI DIMMING (-DALI OPTION)

Digital control protocol allows individual fixture control

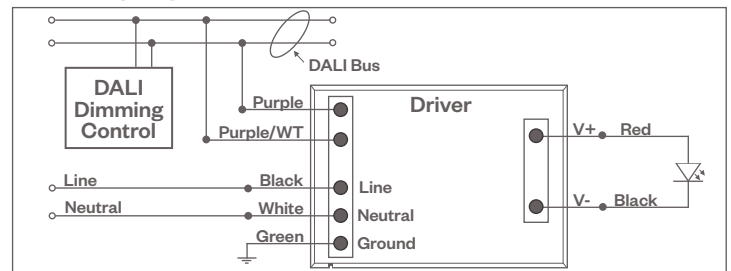
Notes:

- 120V - 277V*
- Dims down to 1% light output in most cases

Compatible Dimmers†:

Wall Box (3-Wire Fluorescent)	Central System
Leviton CD250 Controller	Dynalite
	Fifth Light

DALI Wiring Diagram



Notes:

- * Driver is 277V dimmable with appropriate dimmer (by others). All provided wiring diagrams show 120V wiring colors and method. Please refer to 277V dimmer installation instructions for 277V wiring diagrams.
- † The absence of a dimmer from the lists above does not imply incompatibility. Please consult factory for compatibility inquiries.