

# Evoke<sup>®</sup> 4.75"

## Square Adjustable C3M



Adjustable

### Features

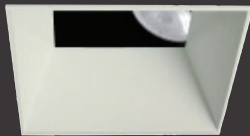
The Evoke 4.75 C3M offers impressive performance, higher lumen delivery and consistent color. Available in 15W or 23W with various beam distributions or 18W in Very Narrow Spot distribution, and round or square aperture in a trimmed or trimless version. Suitable for a variety of lighting schemes featuring general accent task and display applications Evoke 4.75" C3M gives architects and lighting designers the flexibility to complete sustainable lighting designs.

### Product Overview

Fixture Type:	Recessed Adjustable
Wattage:	15W, 18W (VNSP only), 23W
Lumen Output:	1361 lm (23W Spot); 862 lm (18W VNSP)
Color Temp:	2200K, 2700K, 3000K, 3500K, 4000K
CRI:	83 typ. (2700K, 3000K, 3500K, 4000K) 90+ typ. (2200K, 2700K, 3000K, 3500K, 4000K) CrispWhite & 3K Class A available
Dimming:	TRIAC & ELV (120V/277V) Lutron Hi-lume <sup>®</sup> H Series/EcoSystem - 1% dim with soft on, fade to black, 120V/277V 0-10V (120V/277V) - 1% Dim DALI dimming - 1% Dim

### PROJECT:

### TYPE:



Trimless

### Fixture Type

Round/Square	New Construction	Trim	Trimless
Yes	Yes	Yes	Yes

See separate spec sheet for Square trim

### Electrical Data

	15W		18W		23W*	
	System Watts	Amps	System Watts	Amps	System Watts	Amps
120V	15	0.13	18	0.15	23	0.19
277V	15	0.05	18	0.06	23	0.08

Electronic constant current LED driver

\*Includes thermal protector, 2w power consumption



# Evolve® 4.75"

4.75" Square Adjustable C3M



## PROJECT:

## TYPE:

### Housing/Frame Ordering Information

1	2	3	4	5	6	7
<b>1</b> <u>Model</u> For New Construction <b>E4.75SA-C3M-NC-A17<sup>†</sup></b> (New Construction) <b>E4.75SA-C3M-CP-A17<sup>†</sup></b> (Chicago Plenum (CCEA)) <b>E4.75SA-C3M-IC-A17<sup>†</sup></b> (Insulated Ceiling/air tight, 15W only)	<b>2</b> <u>Style</u> <b>T</b> - trimmed <b>TL</b> - trimless (not available for use with Grid ceiling)	<b>3</b> <u>Wattage</u> <b>15</b> (120/277) <b>18</b> (VNSP only, not available for use with IC housing) <b>23</b> (not available for use with IC housing)	<b>4</b> <u>Voltage</u> <b>120</b> <b>277</b> <b>120/277</b> (for use with 15W only)	<b>5</b> <u>Beam Spreads</u> <b>VNSP</b> - very narrow spot, 8° (18W only) <b>SP</b> - spot, 14° <b>VNF</b> - very narrow flood, 18° <b>NF</b> - narrow flood, 23° <b>FL</b> - flood, 34° <b>WF</b> - wide flood, 44°	<b>6</b> <u>Color Temp</u> <b>83 CRI</b> <b>90+ CRI</b> <b>27</b> - 2700K-83 <b>229</b> - 2200K-90+ <b>CRISP</b> - CrispWhite <b>30</b> - 3000K-83 <b>279</b> - 2700K-90+    (not available for <b>35</b> - 3500K-83 <b>309</b> - 3000K-90+    VNSP) <b>40</b> - 4000K-83 <b>359</b> - 3500K-90+ <b>3CLA</b> - 3K Class A <b>409</b> - 4000K-90+	<b>7</b> <u>Driver</u> (for non-dimming, select LE/TE option) <b>LE/TE</b> - TRIAC/ELV dimming <b>HILUME-H-ECO</b> - Lutron Hi-lume® H Series, EcoSystem, 1% dim with soft on, fade to black <b>O-10V</b> - 0-10V dimming, 1% dim <b>DALI</b> - DALI dimming, 1% dim

### Trim Ordering Information

E4.75SA-C3M-A17		
1	2	3
<b>1</b> <u>Model</u> <b>E4.75SA-C3M-A17<sup>†</sup></b>	<b>2</b> <u>Style</u> <b>T</b> - trimmed <b>TL</b> - trimless (not available for use with Grid ceiling)	<b>3</b> <u>Finish</u> <u>For Trimmed Fixture</u> <b>MWW</b> - matte white, white flange <b>MBW</b> - matte black, white flange <b>SLVW</b> - matte silver, white flange <b>MBB</b> - matte black, black flange  <u>For Trimless Fixture</u> <b>MW</b> - matte white <b>MB</b> - matte black <b>SLV</b> - matte silver

<sup>†</sup> The "A" refers to the sequential revision in a year and "XX" refers to the year of update. Updates coincide with improved performance while not changing the overall fixture aesthetic and are reflected in the published performance data. Please contact your Amerlux representative for explanations of changes.

# Evolve<sup>®</sup> 4.75"

4.75" Square Adjustable C3M



## PROJECT:

## TYPE:

### Specifications

#### Application

Retail and commercial accent and display lighting

#### Housing Construction

20 ga. steel painted matte black  
Formed aperture plate with 5/8" lip  
Cast aluminum plaster frame with perforated face (for trimless fixture only)  
Integral adjustable locking mounting bars  
Thermally protected (23W only)  
Die-cast lamp housing and heatsink

#### Reflector Construction

Die-cast aluminum seamless trim  
Steel mounting ring with torsion spring

#### Optical

0-35° lockable tilt, 360°+ rotation  
**Beam Spreads:** Very Narrow Spot, 8° (18W only);  
Spot, 14°; Very Narrow Flood, 18°; Narrow Flood, 23°;  
Flood, 25°; Wide Flood, 44°

#### LED

**Color Temp Options:**  
2200K, 2700K, 3000K, 3500K, 4000K  
**CRI:** 83 typ. (2700K, 3000K, 3500K, 4000K)  
90+ typ. (2200K, 2700K, 3000K, 3500K, 4000K)  
CrispWhite\* available (see below \* for description)  
Class A\*\* 3000K (high CRI, high gamut) available

**R9 Values:** 11 (83 CRI), 55 (92 CRI)

**Binning:** 3 MacAdam (SDCM)

*\*CrispWhite: CrispWhite Technology delivers the warmth of colors expected from a high 90 CRI solution but also creates the natural crisp white color that is pleasing to the eye. It creates the most impactful lighting ever available, by revealing the richest whites and vibrant colors that pop.*

*\*\*Class A LED: Class A LED's have a CRI > 80 and a GAI > 80. CRI defines color "Naturalness" and GAI defines color "Saturation." Both being high delivers rich colors and pure whites.*

#### Electrical

**Wattage:** 15, 18, 23

Electronic constant current LED driver, 120V/277V input  
**This product complies with IEEE C62.41 for surge endurance up to 2.5KV. Amerlux® recommends using additional surge protection with this unit (supplied by others), surge damage is not covered under warranty.**

#### Drivers

LE/TE - Leading Edge, TRIAC, forward phase/Trailing Edge, ELV, reverse phase (standard)  
0-10V and Lutron systems also available  
*See pages 5-6 for more dimming information*

#### Finish

Powder Coat/Wet paint  
*Consult factory for custom finishes*

#### Mounting

26" Hanger bars included  
Consult factory for hanger bars greater than 26"

#### Trimmed Fixture:

For use in grid or sheetrock ceilings, max ceiling thickness 1"

#### Trimless Fixture:

For use in sheetrock ceilings, max ceiling thickness 5/8"

#### Certifications

CSA approved to UL standards as tested by CSA  
Chicago Plenum (CCEA) option  
IC/AT rated (optional, 15W only)

#### Warranty

5 year limited warranty

# Evoke® 4.75"

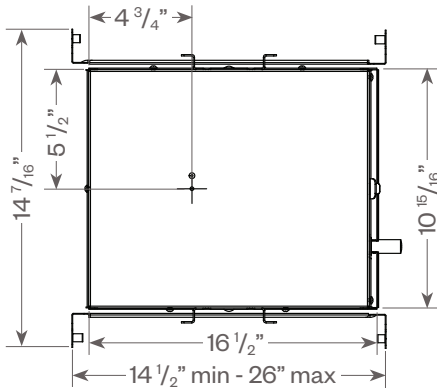
4.75" Square Adjustable C3M



**PROJECT:**

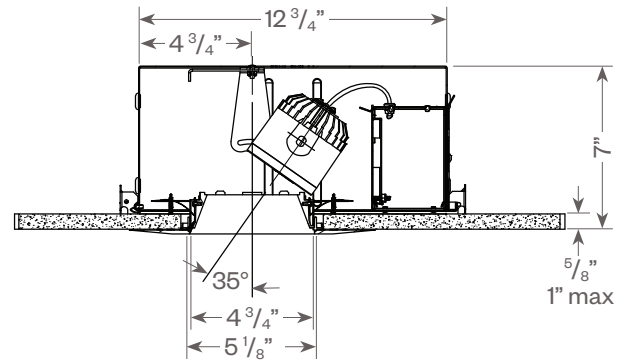
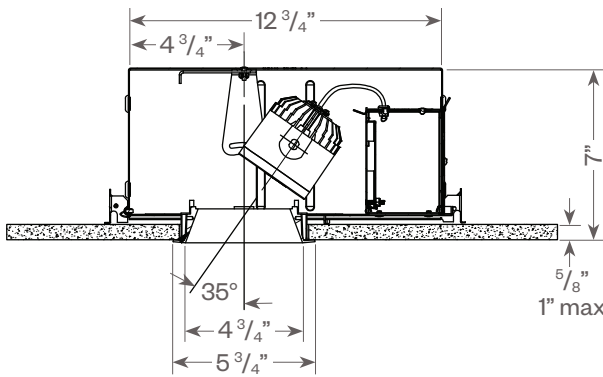
**TYPE:**

## Evoke Round Adjustable C3M:



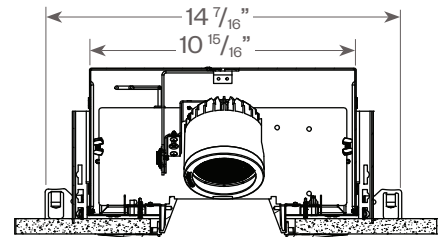
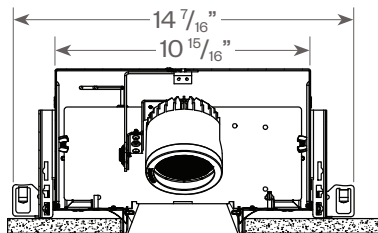
**Trimmed**

**Trimless**



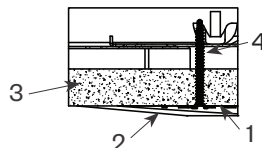
**Ceiling cut out: 5 1/4" sq.**

**Ceiling cut out: 5 7/8" sq.**



## Plaster Frame Installation Detail (for trimless fixture only)

1. Cast Aluminum Plaster Frame
2. Plaster Skim Coat (by others)
3. Ceiling
4. Sheetrock Screw



# Evoke<sup>®</sup> 4.75"

4.75" Square Adjustable C3M



**PROJECT:**

**TYPE:**

**FIXTURE DATA:** (Complete photometric data (.ies format) available upon request)

**MULTIPLYING FACTORS:** (Multiplying Factor is based on 3000K-83 120V IES file on website)

CCT:	2700K-83	3000K-83	3500K-83	4000K-83
Factor:	0.96	1.0	1.02	1.04

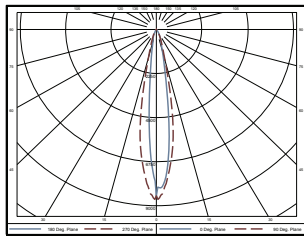
Wattage:	15W	23W
Factor:	0.65	1.0

For 18W VNSP data see next page.

CCT:	2200K-90+	2700K-90+	3000K-90+	3500K-90+	4000K-90+	CRISP	3CLA
Factor:	0.71	0.80	0.83	0.87	0.90	0.65	0.75

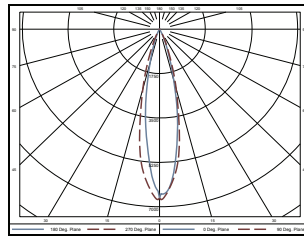
**23W LED, 3000K-83**

**Spot (SP) Distribution, 14°**  
LTL #1167026  
Lumens: 1218 lm



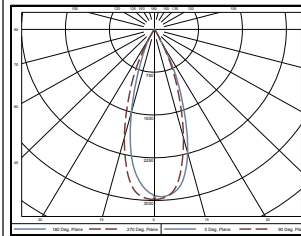
Candelas at Nadir	
Deg	Candela
0	8479
5	6549
15	1078
25	402
35	122
45	8

**Narrow Flood (NF) Distribution, 23°**  
LTL #1167028  
Lumens: 1361 lm



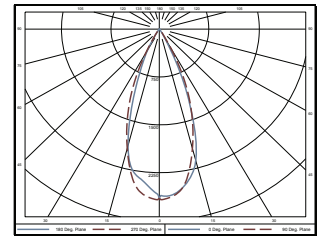
Candelas at Nadir	
Deg	Candela
0	6659
5	5869
15	2199
25	378
35	38
45	8

**Flood (FL) Distribution, 34°**  
LTL # 1167025  
Lumens: 1162 lm



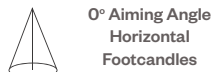
Candelas at Nadir	
Deg	Candela
0	2952
5	2914
15	2220
25	824
35	44
45	11

**Wide Flood (WF) Distribution, 44°**  
LTL # 1167029  
Lumens: 1258 lm

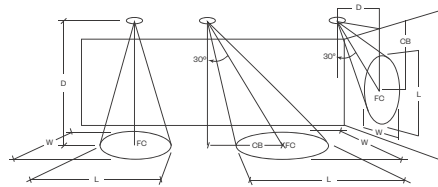


Candelas at Nadir	
Deg	Candela
0	2647
5	2592
15	2116
25	708
35	51
45	11

**Application Data:**



	0° Aiming Angle Horizontal Footcandles			
	D	FC	L	W
SPOT	5.0'	219	1.7	2.1
	7.5'	120	2.2	3.0
	10.0'	74	2.8	3.7
	12.5'	49	3.3	4.6
NARROW FLOOD	5.0'	205	2.3	2.5
	7.5'	104	3.1	3.5
	10.0'	61	3.9	4.6
	12.5'	40	4.8	5.6
FLOOD	5.0'	108	3.1	3.2
	7.5'	50	4.5	4.7
	10.0'	29	6.0	6.2
	12.5'	19	7.5	7.7
WIDE FLOOD	5.0'	98	3.4	3.5
	7.5'	45	5.1	5.2
	10.0'	26	6.8	6.9
	12.5'	17	8.5	8.7



**Notes and Definitions:**

Beam spread is to 50% center beam candlepower (CBCP).

**D**=Distance to floor or wall.

**FC**=Footcandles on floor or wall at center beam aiming location.

**L**=Effective Visual Beam length in feet (50% of maximum footcandle level).

**W**=Effective Visual Beam width in feet (50% of maximum footcandle level).

**CB**=Distance across or down to center beam location.

# Evoke® 4.75"

4.75" Square Adjustable C3M



**PROJECT:**

**TYPE:**

**FIXTURE DATA:** (Complete photometric data (.ies format) available upon request)

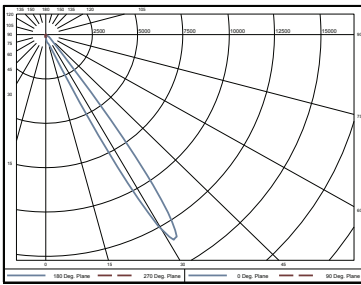
**MULTIPLYING FACTORS:** (Multiplying Factor is based on 3000K-83 120V IES file on website)

CCT:	2700K-83	3000K-83	3500K-83	4000K-83
Factor:	0.96	1.0	1.02	1.04

CCT:	2200K-90+	2700K-90+	3000K-90+	3500K-90+	4000K-90+	CRISP	3CLA
Factor:	0.71	0.80	0.83	0.87	0.90	0.65	0.75

**18W LED, 3000K-83**

**Very Narrow Spot (VNSP) Distribution, 8°**  
**LTL #1241660**  
**Lumens: 862 lm**



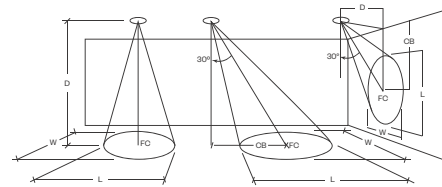
**Candelas at Nadir**

Deg	Candela
0	175
10	454
20	798
30	12800
35	9176
40	1272
50	302
60	8

**Application Data:**

**Notes and Definitions:**

- Beam spread is to 50% center beam candlepower (CBCP).
- D**=Distance to floor or wall.
- FC**=Footcandles on floor or wall at center beam aiming location.
- L**=Effective Visual Beam length in feet (50% of maximum footcandle level).
- W**=Effective Visual Beam width in feet (50% of maximum footcandle level).
- CB**=Distance across or down to center beam location.



**30° Aiming Angle  
Horizontal  
Footcandles**

VERY NARROW SPOT	D	FC	L	W	CB
	5.0'	171	1.5	1.7	3.0
7.5'	91	2.3	2.4	5.0	
10.0'	70	2.5	2.9	6.0	
12.5'	44	3.1	3.5	8.0	

# Evoke<sup>®</sup> 4.75"

4.75" Square Adjustable C3M



## PROJECT:

## TYPE:

### DIMMING COMPATIBILITY:

Amerlux<sup>®</sup> Evoke fixtures are compatible with all major dimming protocols prevalent in the United States. Please see below for general compatibilities and wiring diagrams. Amerlux recommends testing your unique dimming configuration as the exact full configuration (Dimmer, Fixture Quantity, Voltage, etc) may affect dimming performance.

**--- NOTE: INFORMATION BELOW IS FOR WIRED DIMMERS ONLY. FOR WIRELESS DIMMERS, CONSULT FACTORY ---**

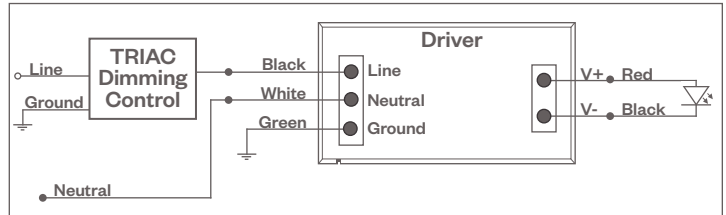
### TRIAC (Forward Phase) DIMMING (Standard)

Utilizes "Standard" incandescent dimmers that are in wide use in installations across the US. Best for retrofit applications where TRIAC dimmers are installed.

#### Notes:

- 120V or 277V\*
- Dims down to less than 5% light output (most cases)
- Consult Dimming manufacturer for installation instructions - DO NOT SHARE NEUTRALS!
- Must meet dimmer Minimum Load Requirements per dimming manufacturer

TRIAC Wiring Diagram



#### Compatible Dimmers†:

Wall Box (Incandescent Style, Wattage as required)		Central System
Lutron "Diva"	Lutron "Vareo"	Lutron "GP" Panel
Lutron "Nova-T"	Lutron "Skylark"	Lutron Grafik Eye QS
Lutron "Maestro"		

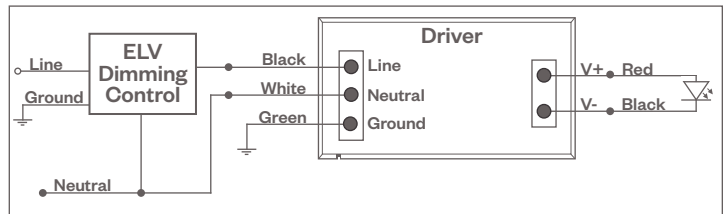
### ELV - Electronic Low Voltage (Reverse Phase) DIMMING (Standard)

Utilizes specialized "ELV" dimmers.

#### Notes:

- 120V or 277V\*
- Dims down to less than 5% light output (most cases)
- Consult Dimming manufacturer for installation instructions - DO NOT SHARE NEUTRALS!
- Must meet dimmer Minimum Load Requirements

ELV Wiring Diagram



#### Compatible Dimmers†:

Wall Box (ELV Style)		Central System
Lutron "Diva"	Leviton "Surslide"	Lutron "GP" Panel with PHPM-PA Interface
Lutron "Nova-T"	Leviton "Vizio"	Lutron Grafik Eye QS with PHPM-PA Interface
Lutron "Maestro"		
Lutron "Vareo"		
Lutron "Skylark"		

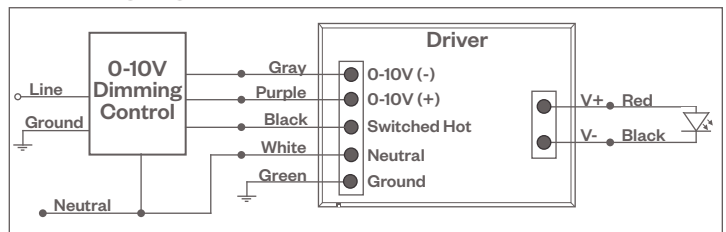
### 0-10V - DIMMING (-0-10V Option)

Integrates into a variety of building management and daylighting controls

#### Notes:

- 120V or 277V\*
- Dims down to 1% light output
- Requires interface to turn off power to driver
- Consult Dimming manufacturer for installation instructions - DO NOT SHARE NEUTRALS!

0-10V Wiring Diagram



#### Compatible Dimmers†:

Wall Box	Central System
Lutron "Diva" - DVTV with PP-120H Interface	Lutron Grafik Eye with GRX-TVI Interface
Leviton Renoir II 0-10V	

#### Notes:

\* Driver is 277V dimmable with appropriate dimmer (by others). All provided wiring diagrams show 120V wiring colors and method. Please refer to 277V dimmer installation instructions for 277V wiring diagrams.

† The absence of a dimmer from the lists above does not imply incompatibility. Please consult factory for compatibility inquiries.

# Evoke® 4.75"

4.75" Square Adjustable C3M



**PROJECT:**

**TYPE:**

**DIMMING COMPATIBILITY:**

Amerlux® Evoke fixtures are compatible with all major dimming protocols prevalent in the United States. Please see below for general compatibilities and wiring diagrams. Amerlux recommends testing your unique dimming configuration as the exact full configuration (Dimmer, Fixture Quantity, Voltage, etc) may affect dimming performance.

**--- NOTE: INFORMATION BELOW IS FOR WIRED DIMMERS ONLY. FOR WIRELESS DIMMERS, CONSULT FACTORY ---**

**LUTRON H-SERIES / ECOSYSTEM (-HILUME-H-ECO Option)**

Integrates into Lutron EcoSystem building management

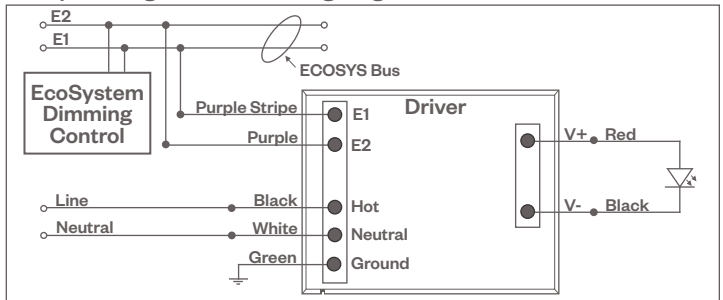
**Notes:**

- 120V or 277V\*
- Dims down to 1% light output
- EcoSystem Control
- Consult Dimming manufacturer for installation instructions - DO NOT SHARE NEUTRALS!

**Compatible Dimmers†:**

Wall Box	Central System
Lutron "Diva"	Lutron EcoSystem compatible controls
Lutron "Nova-T"	
Lutron "Maestro"	
Lutron "Vareo"	

**HILUME-H-ECO, HILUME-5-ECO  
EcoSystem Digital Control Wiring Diagram**



**DALI DIMMING (-DALI OPTION)**

Digital control protocol allows individual fixture control

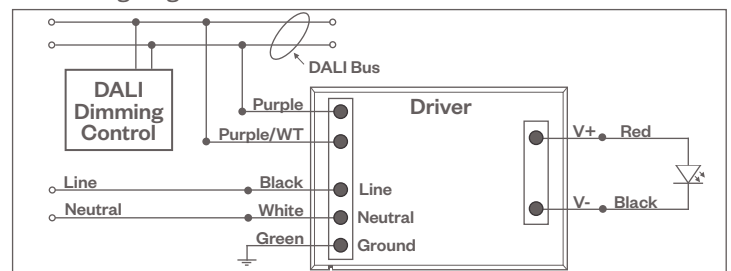
**Notes:**

- 120V - 277V\*
- Dims down to 1% light output in most cases

**Compatible Dimmers†:**

Wall Box (3-Wire Fluorescent)	Central System
Leviton CD250 Controller	Dynalite
	Fifth Light

**DALI Wiring Diagram**



**Notes:**

- \* Driver is 277V dimmable with appropriate dimmer (by others). All provided wiring diagrams show 120V wiring colors and method. Please refer to 277V dimmer installation instructions for 277V wiring diagrams.
- † The absence of a dimmer from the lists above does not imply incompatibility. Please consult factory for compatibility inquiries.