

Murro® HP

3.5" Round Surface Canopy Wall Wash



Features

The Murro® Round Surface Canopy is a high performing alternative for designers. The Murro® LED module sits on the canopy plate with a single arm yoke, giving designers the aiming flexibility you have with a track head. Small in size, high in output, Murro outperforms others, time after time. With unique optics, and code-ready dimmability, Murro reduces your costs dramatically. It's a light so powerful, your walls have never looked better.

Product Overview

Type:	Surface Wall Wash
Wattage:	47
Lumen Output:	4,292 max; 91.6 Lm/W
CBCP:	2,237 max
Color Temp:	2700K, 3000K, 3500K
CRI:	83 typ. (2700K, 3000K, 3500K) 90+ typ. (3000K, 3500K) Class A, 3000K available
Dimming:	TRIAC & ELV (120V/277V) - 5% Dim 0-10V (120V/277V) - 1% Dim

PROJECT:

TYPE:

Fixture Summary *(see following pages for more information)*

Performance Chart

Watts	Delivered Lumens	LPW	CBCP	Color Temp
47	4,292	91.6	2,237	3000K-83

Data is based on 3000K-83 120v IES files available on website

Electrical Data

	47W	
	System Watts	Amps
120V	47	0.39
277V	47	0.17

Electronic constant current LED driver



5 year limited warranty
AMERLUX LED

Murro[®] HP

3.5" Round Surface Canopy Wall Wash



PROJECT:

TYPE:

Specifications

Application

Retail and commercial wall wash lighting

Construction

20 ga. galvanized steel frame
18 ga. galvanized steel splice housing and hanger brackets
(not for Remodeler version)
Die-cast optical housing and heat sink

Optical

0-180° tilt, 360° rotation
Wall wash beam spread

LED

Color Temp Options:
2700K, 3000K, 3500K
CRI:83 typ. (2700K, 3000K, 3500K)
90+ typ. (3000K, 3500K)
Class A* 3000K available
R9 Values: 11 (83 CRI), 55 (90+ CRI)
Binning: 3 MacAdam (SDCM)
Life: 50,000+ hrs, > 70% of initial lumens at 50,000 hrs
**Class A LED: Class A LED's have a CRI > 80 and a GAI > 80. CRI defines color "Naturalness" and GAI defines color "Saturation." Both being high delivers rich colors and pure whites.*

Electrical

Wattage: 47
Electronic constant current LED driver, 120V/277V input
This product complies with IEEE C62.41 for surge endurance up to 2.5KV. Amerlux[®] recommends using additional surge protection with this unit (supplied by others), surge and over voltage damage is not covered under warranty.

Driver

LE/TE - Leading Edge, TRIAC, forward phase/Trailing Edge, ELV, reverse phase
0-10V also available
See pages 7 for more dimming information

Finish

Powder coat paint
Consult factory for custom finishes

Mounting

For use in T-Grid or GB ceilings; max ceiling thickness 1"
Adjustable hanger bars included (14 1/2" - 25" std.)
(32"-48" Adjustable hanger bars available)
Consult Factory for thicker ceilings

Certifications

CSA listed to UL standards
For indoor use only

Warranty

5 year limited warranty

Murro[®] HP

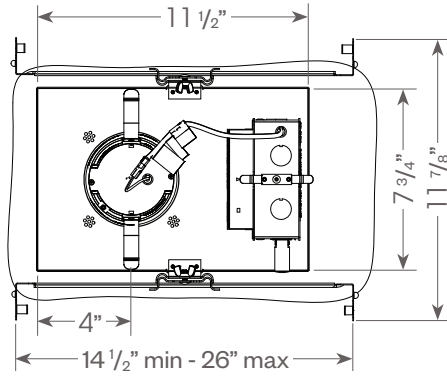
3.5" Round Surface Canopy Wall Wash



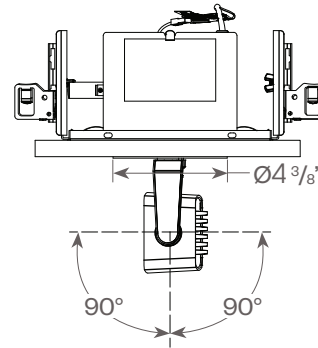
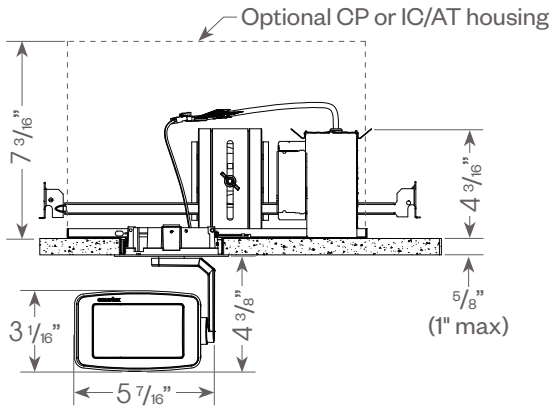
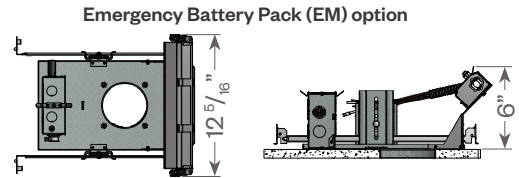
PROJECT:

TYPE:

Murro HP Round Surface Canopy (new construction):



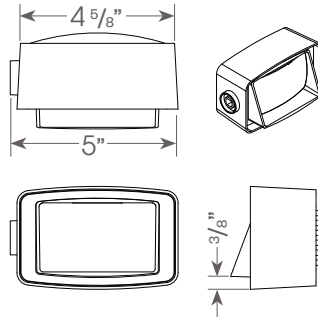
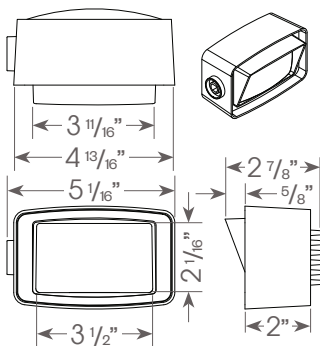
Ceiling cut out: 4" dia.



Visor Accessory:

Visor (Up)

Visor (Down)



Murro[®] HP

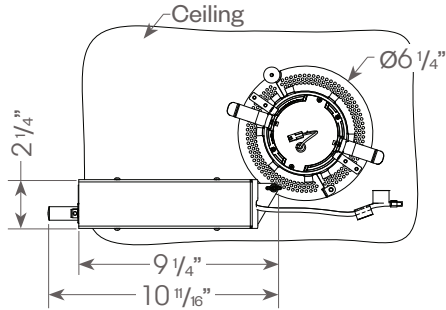
3.5" Round Surface Canopy Wall Wash



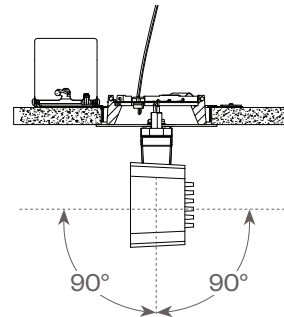
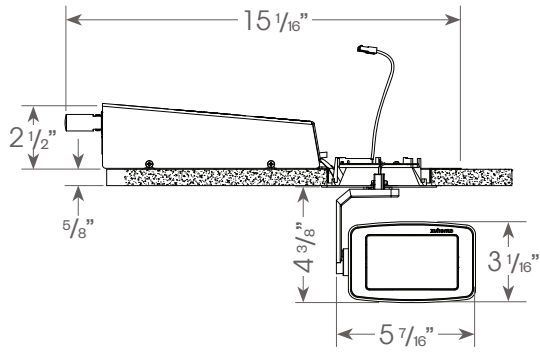
PROJECT:

TYPE:

Murro HP Round Surface Canopy Remodeler:



Ceiling cut out: 4" dia.



Murro[®] HP

3.5" Round Surface Canopy Wall Wash



PROJECT:

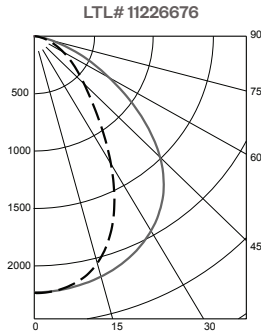
TYPE:

FIXTURE DATA: (Complete photometric data (.ies format) available upon request)

MULTIPLYING FACTORS: (Multiplying Factor is based on 3000K-83 120V IES file on website)

CCT:	2700K-83	3000K-83	3500K-83	3000K-90+	3500K-90+	3CLA
Factor:	0.96	1.0	1.02	0.83	0.87	0.75

47W 3000K-83
Lumens: 4,292

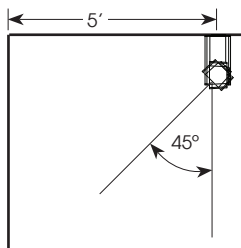
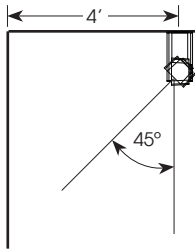
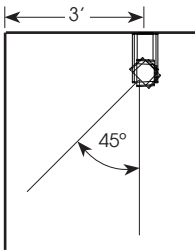


ZONAL LUMEN SUMMARY

Zone	Lumens	%Fixt
0-40	2509	58.5
0-60	3787	88.2
0-90	4292	100.00
90-180	0	0.00

Luminaire Efficacy: 91.6 Lm/W

Application Data:



Footcandles on Wall

6' fixture width

Distance from ceiling	0.5'	1.5'	2.5'	3.5'	4.5'	5.5'	6.5'	7.5'	8.5'
0.5'	182	188	97	49	47	90	183	189	
1.5'	171	175	110	58	56	104	172	176	
2.5'	120	123	91	59	57	89	122	124	
3.5'	80	81	67	51	51	66	80	81	
4.5'	53	54	49	42	42	48	54	54	
5.5'	38	38	36	34	34	36	38	38	
6.5'	28	28	28	28	28	28	29	29	
7.5'	22	23	23	23	23	23	23	23	
8.5'	19	19	19	19	19	19	19	19	

8' fixture width

Distance from ceiling	0.5'	1.5'	2.5'	3.5'	4.5'	5.5'	6.5'	7.5'	8.5'
0.5'	107	107	71	38	26	26	38	71	106
1.5'	109	109	80	46	31	31	46	79	109
2.5'	89	89	72	47	33	33	47	72	89
3.5'	67	67	57	43	32	32	43	58	67
4.5'	49	49	44	36	30	30	36	44	49
5.5'	36	36	34	30	27	27	30	34	36
6.5'	28	28	27	25	23	23	25	27	28
7.5'	22	22	21	21	20	20	21	22	22
8.5'	18	18	18	18	18	18	18	18	18

8' fixture width

Distance from ceiling	0.5'	1.5'	2.5'	3.5'	4.5'	5.5'	6.5'	7.5'	8.5'
0.5'	71	71	56	37	28	28	37	56	71
1.5'	77	77	62	44	33	33	44	63	77
2.5'	70	70	60	46	35	35	46	60	70
3.5'	58	58	52	42	35	35	42	52	58
4.5'	46	46	43	37	33	33	37	43	46
5.5'	36	36	35	32	30	30	32	35	36
6.5'	29	29	28	28	27	27	28	29	29
7.5'	24	24	24	23	23	23	24	24	24
8.5'	20	20	20	20	20	20	20	20	20

Footcandles are average and rounded off.
Data for multiple units are based on a minimum of five units.

PROJECT:

TYPE:

DIMMING COMPATIBILITY:

Amerlux[®] Murro fixtures are compatible with all major dimming protocols prevalent in the United States. Please see below for general compatibilities and wiring diagrams. Amerlux recommends testing your unique dimming configuration as the exact full configuration (Dimmer, Fixture Quantity, Voltage, etc) may affect dimming performance.

--- NOTE: INFORMATION BELOW IS FOR WIRED DIMMERS ONLY. FOR WIRELESS DIMMERS, CONSULT FACTORY ---

LUTRON H-SERIES / ECOSYSTEM (-HILUME-H-ECO Option)

Integrates into Lutron EcoSystem building management

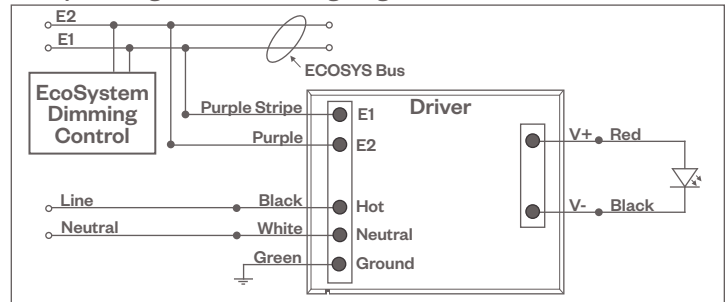
Notes:

- 120V or 277V*
- Dims down to 1% light output
- EcoSystem Control
- Consult Dimming manufacturer for installation instructions - DO NOT SHARE NEUTRALS!

Compatible Dimmers†:

Wall Box	Central System
Lutron "Diva"	Lutron EcoSystem compatible controls
Lutron "Nova-T"	
Lutron "Maestro"	
Lutron "Vareo"	

**HILUME-H-ECO, HILUME-5-ECO
EcoSystem Digital Control Wiring Diagram**



DALI DIMMING (-DALI OPTION)

Digital control protocol allows individual fixture control

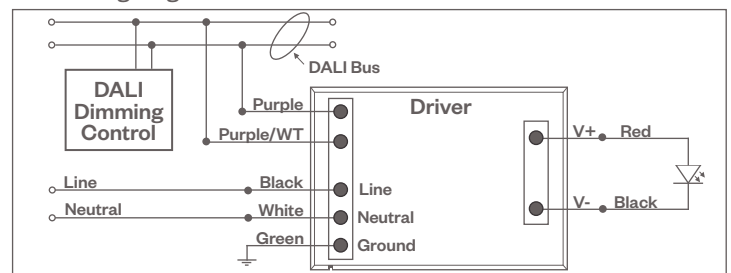
Notes:

- 120V - 277V*
- Dims down to 1% light output in most cases

Compatible Dimmers†:

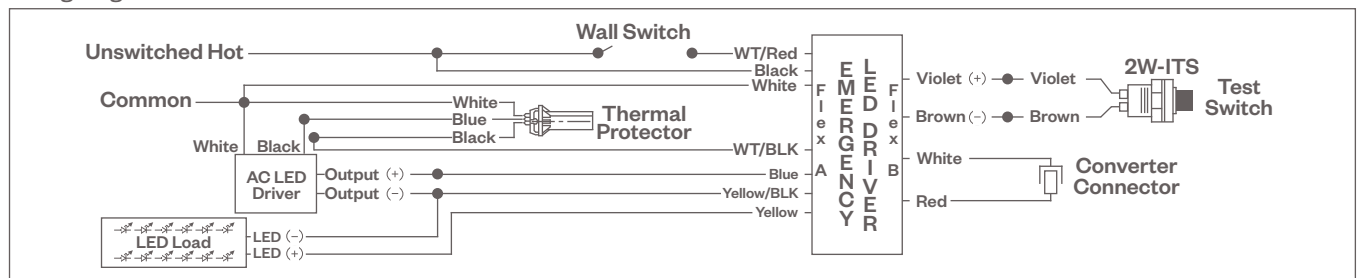
Wall Box (3-Wire Fluorescent)	Central System
Leviton CD250 Controller	Dynalite
	Fifth Light

DALI Wiring Diagram



EMERGENCY DIMMING (-EM OPTION)

Wiring Diagram



Notes:

- * Driver is 277V dimmable with appropriate dimmer (by others). All provided wiring diagrams show 120V wiring colors and method. Please refer to 277V dimmer installation instructions for 277V wiring diagrams.
- † The absence of a dimmer from the lists above does not imply incompatibility. Please consult factory for compatibility inquiries.