

# Hornet® 120

## Track Head



### Features

The Hornet® 120 edition is designed to meet the specific needs of the competitive Retail market space. A boost in output (while maintaining the high quality of light and durability that Hornet is known for) paired with a precision optical system delivering high CBCP and beam control, results in a product that performs and competes!

### Product Overview

Type:	Track Accent & Display
Wattage:	13, 20
Lumen Output:	1,665 max; 82.8 Lm/W (Spot optic)
CBCP:	13,798 max (Spot optic)
Color Temp:	2200K, 2700K, 3000K, 3500K, 4000K
CRI:	83 typ. (2700K, 3000K, 3500K, 4000K) 90+ typ. (2200K, 2700K, 3000K, 3500K, 4000K) CrispWhite LED available (13W only) 3K Class A LED available
Dimming:	TRIAC & ELV (120V) dimming

### PROJECT:

### TYPE:



### Fixture Summary *(see following pages for more information)*

#### Performance Chart

Watts	Delivered Lumens	LPW	CBCP	Color Temp
13	1,118	86	9,265	3000K-83
20	1,665	82.8	13,798	3000K-83

*Data is based on 3000K-83, 120V IES files available on website*

*Data is based on Spot optic*

*See pg 5 for other beam spreads*

#### Electrical Data

	13W		20W	
	System Watts	Amps	System Watts	Amps
120V	13	0.11	20	0.17

*Electronic constant current LED driver*



**5** year limited warranty  
AMERLUX LED



# Hornet® 120

Track Head



## PROJECT:

## TYPE:

### Ordering Information



#### 1 Model

**HORNET-120-A17** (vertical)  
**HORNET-120-H-A17** (horizontal)

#### 2 Wattage

13  
20

#### 3 Finish

**WT** - white texture  
**BT** - black texture  
**ST** - silver texture  
*Other finishes, consult factory*

#### 4 Mounting

<u>Vertical:</u>	<u>Horizontal:</u>
<b>TN1</b> - Global GES 1cir/ H-Style, 120V	<b>TS1</b> - Global GES 1cir/ H-Style, 120V
<b>TEK</b> - Global TEK 2cir/ 2neut, 120V	<b>TJ1</b> - J-Style, 120V
<b>TN3</b> - Global XTS 3cir, 120V	<b>TL1</b> - L-Style, 120V
<b>CT</b> - J-Style, 120V	<b>TP1</b> - Capri, 120V
<b>LOL</b> - L-Style, 120V	<b>B*</b> - busway, 120V
<b>CPR</b> - Capri, 120V	
<b>B*</b> - busway, 120V	

**Notes:** \*Busway compact series B40,B60c only, consult factory for other busway adapters. Black busway adapter used for ST finish

#### 5 Voltage

120

#### 6 Beam Spreads

**SP** - spot, 15°  
**NF** - narrow flood, 22°  
**MFL** - medium flood, 25°  
**FL** - flood, 28°  
**WF** - wide flood, 45°  
**VWF** - very wide flood, 60°  
**LS** - linear spread, 60° x 10°

#### 7 Color Temp

<u>83 CRI:</u>	<u>90+ CRI:</u>
<b>27</b> - 2700K-83	<b>229**</b> - 2200K-90+ <b>CRISP**</b> - CrispWhite
<b>30</b> - 3000K-83	<b>279</b> - 2700K-90+ <b>3CLA**</b> - 3K Class A
<b>35</b> - 3500K-83	<b>309</b> - 3000K-90+
<b>40</b> - 4000K-83	<b>359**</b> - 3500K-90+
	<b>409</b> - 4000K-90+

\*\* Available for 13W only

#### 8 Driver

**LE/TE** - TRIAC/ELV dimming, 120V

#### 9 Options/Accessories

**SNAH** - snoot accessory holder, 1" length, matte black interior, exterior finish matches fixture finish, accepts cross blade plus 2 additional forms of media  
**AH** - accessory holder, finish matches fixture finish, accepts 2 forms of media  
**HEX** - hexcell louver, 1/8" x 1/8" (requires SNAH or AH)  
**SOL** - solite lens (requires SNAH or AH)  
**CB** - cross blade, matte black finish (requires SNAH)



Note: See page 7 for Energy Star approved model numbers.

\* The "A" refers to the sequential revision in a year and "XX" refers to the year of update. Updates coincide with improved performance while not changing the overall fixture aesthetic and are reflected in the published performance data. Please contact your Amerlux representative for explanations of changes.

# Hornet® 120

Track Head



## PROJECT:

## TYPE:

### Specifications

#### Application

Retail accent and display lighting

#### Construction

Complete die-cast construction  
No exposed wiring

#### Optical

0-180° tilt, 360° rotation  
Beam spreads: Spot, 15°; Narrow flood, 22°;  
Medium flood, 25°; Flood, 28°; Wide flood, 45°;  
Very wide flood, 60°; Linear spread, 60° x 10°

#### LED

Color Temp Options:  
2700K, 3000K, 3500K, 4000K, CRISP  
CRI: 83 typ. (3000K, 3500K, 4000K)  
90+ (2700K, 3000K)  
CrispWhite\* LED available (13W only)  
R9 Values: 11 (83 CRI), 55 (90+ CRI)  
Binning: 3 MacAdam (SDMC)  
Life: 50,000+ hrs, > 70% of initial lumens at 50,000 hrs  
*\*CrispWhite: CrispWhite Technology delivers the warmth of colors expected from a high 90 CRI solution but also creates the natural crisp white color that is pleasing to the eye. It creates the most impactful lighting ever available, by revealing the richest whites and vibrant colors that pop.*

#### Electrical

Wattage: 13, 20  
Electronic constant current LED driver, 120V input  
**This product complies with IEEE C62.41 for surge endurance up to 2.5KV. Amerlux® recommends using additional surge protection with this unit (supplied by others), surge and over voltage damage is not covered under warranty.**

#### Driver

LE/TE - Leading Edge (Triac, Forward Phase) or Trailing Edge (ELV, Reverse Phase) autosensing driver dims down to less than 5% on most dimming system.  
*See pages 6 for more dimming information*

#### Finish

Powder coat paint.  
Standard colors: White Texture, Black Texture, Silver Texture  
Consult factory for custom RAL powder coat finishes

#### Mounting

Track  
**Note: Ceiling mounted track only**

#### Certifications

CSA listed to UL standards  
For indoor use only

#### Warranty

5 year limited warranty

### Mounting

#### Vertical Driver Housing

TN1	TEK	TN3	CT	LOL	CPR	B
Global GES 1cir/ H-Style, 120V	Global TEK 2cir/ 2neut, 120V	Global XTS 3cir 120V	J-Style 120V	L-Style 120V	Capri 120V	Busway 120V

#### Horizontal Driver Housing

TS1	TJ1	TL1	CPR	B
Global GES 1cir/ H-Style, 120V	J-Style 120V	L-Style 120V	Capri 120V	Busway 120V

# Hornet<sup>®</sup> 120

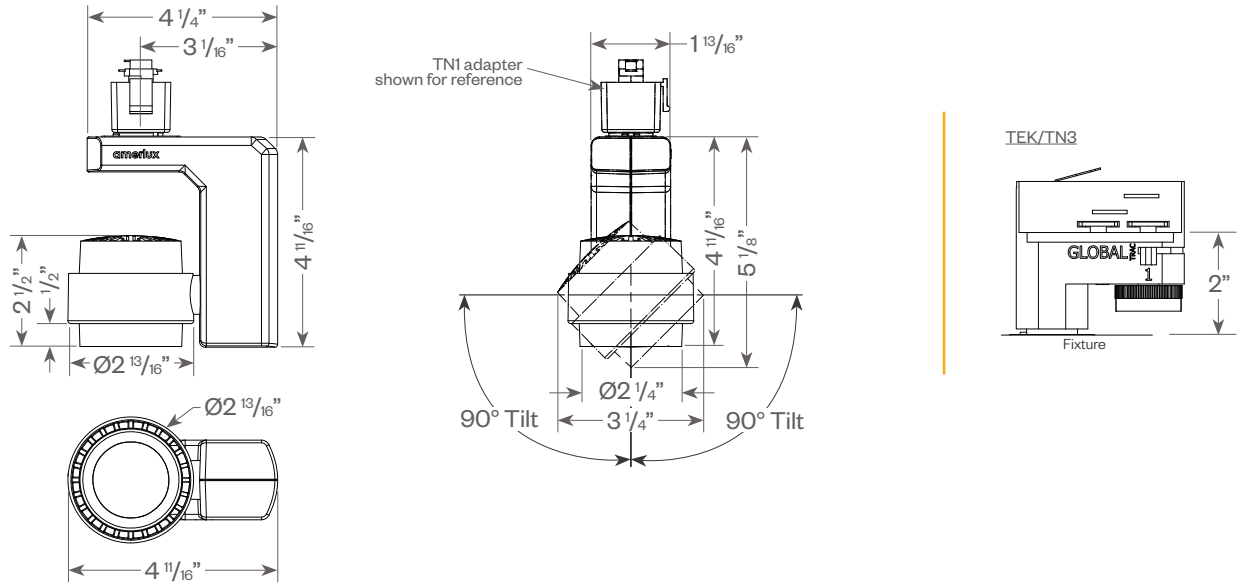
Track Head



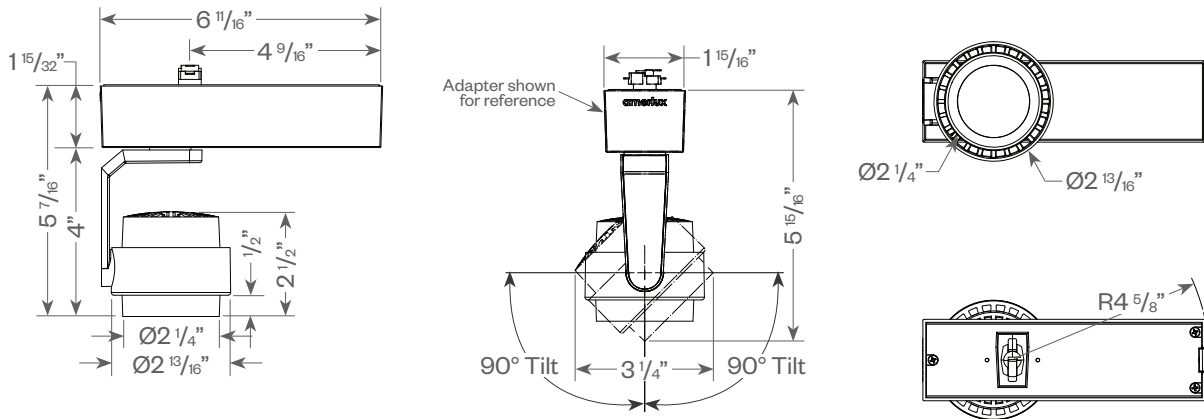
**PROJECT:**

**TYPE:**

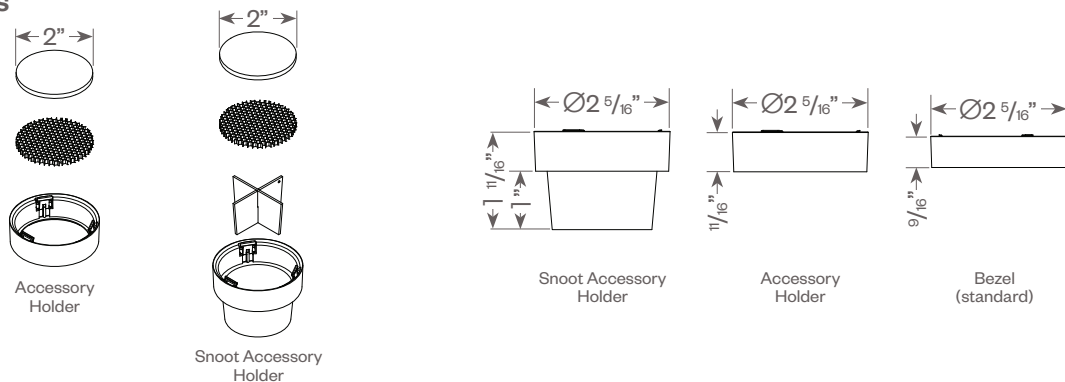
## Vertical



## Horizontal



## Accessories



# Hornet<sup>®</sup> 120

Track Head



**PROJECT:**

**TYPE:**

**FIXTURE DATA:** (Complete photometric data (.ies format) available upon request)

**MULTIPLYING FACTORS:** (Multiplying Factor is based on 3000K-83 120V IES file on website)

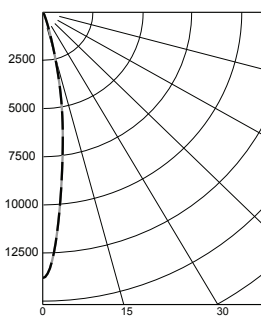
Wattage:	13W	20W
Factor:	0.70	1.0

CCT:	2700K-83	3000K-83	3500K-83	4000K-83
Factor:	0.96	1.0	1.02	1.04

CCT:	2200K-90+	2700K-90+	3000K-90+	3500K-90+	4000K-90+	CRISP	3CLA
Factor:	0.71	0.80	0.83	0.87	0.90	0.65	0.75

**20W LED, 3000K-83**

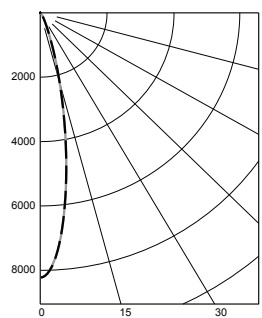
**Spot (SP), 15°**  
LTL #11742981.01  
Lumens: 1,665



**Candelas at Nadir**

Deg	Candela
0	13800
5	9787
15	2079
25	280
35	94
45	31

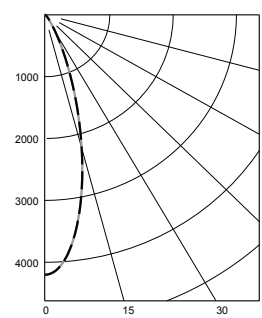
**Narrow Flood (NF), 22°**  
LTL #11924029.01  
Lumens: 1,581



**Candelas at Nadir**

Deg	Candela
0	8225
5	6998
15	2235
25	409
35	124
45	54

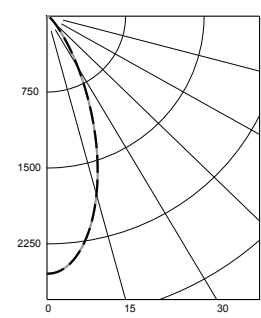
**Flood (FL), 28°**  
LTL #11924029.02  
Lumens: 1,565



**Candelas at Nadir**

Deg	Candela
0	4202
5	3924
15	2239
25	752
35	198
45	73

**Wide Flood (WF), 45°**  
LTL #11924029.03  
Lumens: 1,560



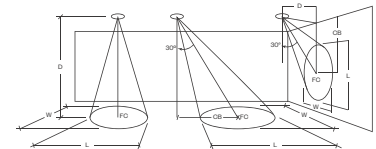
**Candelas at Nadir**

Deg	Candela
0	2546
5	2459
15	1812
25	938
35	346
45	120

**Application Data:**

**Notes and Definitions:**

- Beam spread is to 50% center beam candlepower (CBCP).
- D=Distance to floor or wall.
- FC=Footcandles on floor or wall at center beam aiming location.
- L=Effective Visual Beam length in feet (50% of maximum footcandle level).
- W=Effective Visual Beam width in feet (50% of maximum footcandle level).
- CB=Distance across or down to center beam location.



	0° Aiming Angle Horizontal Footcandles					30° Aiming Angle Horizontal Footcandles					30° Aiming Angle Vertical Footcandles					60° Aiming Angle Vertical Footcandles				
	D	FC	L	W	CB	D	FC	L	W	CB	D	FC	L	W	CB	D	FC	L	W	CB
<b>Spot</b>	5.0'	623	1.4	1.4		5.0'	355	2.0	1.7	3.0	3.0'	158	3.4	2.2	5.0	3.0'	471	1.8	1.5	2.0
	7.5'	266	2.0	2.0		7.5'	155	2.9	2.5	4.0	4.0'	102	4.1	2.6	6.0	4.0'	345	2.1	1.8	2.0
	10.0'	147	2.8	2.8		10.0'	87	3.8	3.3	6.0	5.0'	68	5.2	3.1	8.0	5.0'	240	2.5	2.2	3.0
	12.5'	93	3.5	3.5		12.5'	58	4.6	4.0	7.0	6.0'	49	6.2	3.6	9.0	6.0'	178	2.8	2.5	3.0
<b>Narrow Flood</b>	5.0'	329	1.7	1.7		5.0'	212	2.4	2.1	3.0	3.0'	119	3.6	2.3	4.0	3.0'	351	2.0	1.7	2.0
	7.5'	147	2.8	2.8		7.5'	98	3.5	3.1	4.0	4.0'	72	4.6	2.9	6.0	4.0'	253	2.3	2.0	2.0
	10.0'	83	3.6	3.6		10.0'	54	4.7	4.2	5.0	5.0'	50	5.6	3.4	7.0	5.0'	169	2.8	2.5	3.0
	12.5'	53	4.6	4.6		12.5'	35	5.9	5.3	7.0	6.0'	35	6.8	4.2	8.0	6.0'	127	3.2	2.8	3.0
<b>Flood</b>	5.0'	169	2.7	2.7		5.0'	109	3.4	3.1	2.0	3.0'	80	3.9	2.9	4.0	3.0'	221	2.5	2.3	2.0
	7.5'	75	3.9	3.9		7.5'	52	4.9	4.5	4.0	4.0'	49	5.0	3.6	5.0	4.0'	157	2.8	2.7	2.0
	10.0'	42	5.2	5.2		10.0'	30	6.5	5.9	5.0	5.0'	32	6.2	4.4	6.0	5.0'	100	3.6	3.2	2.0
	12.5'	27	6.6	6.6		12.5'	19	8.1	7.4	6.0	6.0'	23	7.4	5.3	7.0	6.0'	74	4.1	3.7	3.0
<b>Wide Flood</b>	5.0'	102	3.4	3.4		5.0'	74	4.0	3.6	2.0	3.0'	63	4.0	3.1	3.0	3.0'	155	2.8	2.6	1.0
	7.5'	46	5.1	5.1		7.5'	33	5.9	5.5	3.0	4.0'	38	5.0	4.1	4.0	4.0'	103	3.4	3.3	2.0
	10.0'	26	6.8	6.8		10.0'	19	7.9	7.5	4.0	5.0'	25	6.3	5.1	5.0	5.0'	69	4.1	3.8	2.0
	12.5'	17	8.5	8.5		12.5'	12	10.0	9.4	5.0	6.0'	18	7.6	6.1	6.0	6.0'	48	5.0	4.7	3.0

# Hornet<sup>®</sup> 120

Track Head



**PROJECT:**

**TYPE:**

**DIMMING COMPATIBILITY:**

Please see below for general compatibilities and wiring diagrams. Amerlux recommends testing your unique dimming configuration as the exact full configuration (Dimmer, Fixture Quantity, Voltage, etc) may affect dimming performance.

**--- NOTE: INFORMATION BELOW IS FOR WIRED DIMMERS ONLY. FOR WIRELESS DIMMERS, CONSULT FACTORY ---**

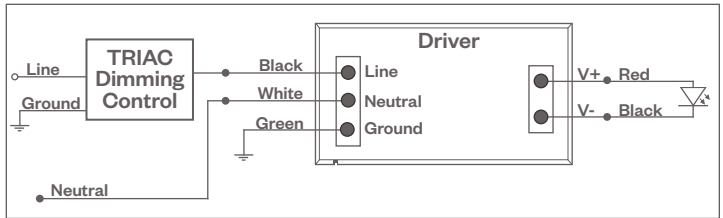
**TRIAC (Forward Phase) DIMMING (Standard)**

Utilizes "Standard" incandescent dimmers that are in wide use in installations across the US. Best for retrofit applications where TRIAC dimmers are installed.

**Notes:**

- 120V only
- Dims down to less than 5% light output (most cases)
- Consult Dimming manufacturer for installation instructions - DO NOT SHARE NEUTRALS!
- Must meet dimmer Minimum Load Requirements per dimming manufacturer

**TRIAC Wiring Diagram**



**Compatible Dimmers**

**Wall Box (Incandescent Style, Wattage as required)**

Lutron "Diva"	Lutron "Vareo"
Lutron "Nova-T"	Lutron "Skylark"
Lutron "Maestro"	

**Central System**

Lutron "GP" Panel
Lutron Grafik Eye QS

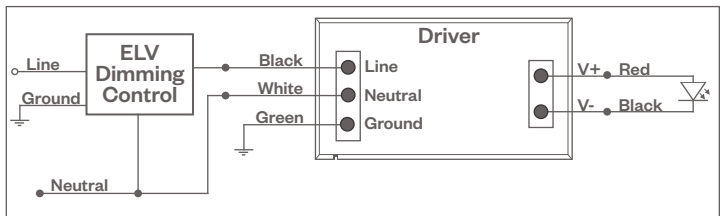
**ELV - Electronic Low Voltage (Reverse Phase) DIMMING (Standard)**

Utilizes specialized "ELV" dimmers.

**Notes:**

- 120V only
- Dims down to less than 5% light output (most cases)
- Consult Dimming manufacturer for installation instructions - DO NOT SHARE NEUTRALS!
- Must meet dimmer Minimum Load Requirements

**ELV Wiring Diagram**



**Compatible Dimmers**

**Wall Box (ELV Style)**

Lutron "Diva"	Lutron "Vareo"
Lutron "Nova-T"	Lutron "Skylark"
Lutron "Maestro"	
Leviton "Surslide"	Leviton "Vizio"

**Central System**

Lutron "GP" Panel with PHPM-PA Interface
Lutron Grafik Eye QS with PHPM-PA Interface

# Hornet® 120

Track Head



PROJECT:

TYPE:

ENERGY STAR APPROVED MODEL NUMBERS:



## Certificate of Conformance

### Energy Efficiency Certification

UL conducted an independent evaluation on behalf of:

**AMERLUX L L C**  
23 Daniel Rd., Fairfield, NJ 07004-2527

for the following products: This product meets all of the necessary qualifications pursuant to:

**Directional Luminaires**  
**Brand: Amerlux**  
**Model: See Appendix A**

**ENERGY STAR®: Program Requirements for Luminaires, Version 2.0**

2017-10-09

Certification Date

N/A

Certification Revision Date

*[Signature]*

Issued by

11948772

UL Product Number

00-V5-F0418, Version 3.0. This is to certify that representative samples of the Certified Product(s) listed above have been investigated by UL to the Standard(s) indicated on this certificate, in accordance with the UL Global Services Agreement and the EEC Terms & Conditions ("Agreement"). The Certificate Holder is entitled to use the UL Energy Verified Mark for the Certified Product(s) listed on the certificate and manufactured at the production site(s) covered by the UL Test Report, in accordance with the terms of the Agreement. This Certificate shall remain valid unless a Standard identified on this Certificate is amended or withdrawn prior to that date or these is a non-compliance with the Agreement.

#### Appendix A

Model Name	Model Number	Family Model(s) - Additional Model Number
Hornet 120	Hornet-120-A17-20-**-***-120-***-309-LE/TE	Hornet-120-A17-20-**-***-120-***-30-LE/TE
		Hornet-120-A17-20-**-***-120-***-35-LE/TE
		Hornet-120-A17-20-**-***-120-***-40-LE/TE
		Hornet-120-H-A17-20-**-***-120-***-309-LE/TE
		Hornet-120-H-A17-20-**-***-120-***-30-LE/TE
		Hornet-120-H-A17-20-**-***-120-***-35-LE/TE
Hornet 120	Hornet-120-A17-13-**-***-120-***-309-LE/TE	Hornet-120-A17-13-**-***-120-***-30-LE/TE
		Hornet-120-A17-13-**-***-120-***-35-LE/TE
		Hornet-120-A17-13-**-***-120-***-40-LE/TE
		Hornet-120-H-A17-13-**-***-120-***-309-LE/TE
		Hornet-120-H-A17-13-**-***-120-***-30-LE/TE
		Hornet-120-H-A17-13-**-***-120-***-35-LE/TE
		Hornet-120-H-A17-13-**-***-120-***-40-LE/TE