

# SPEQ-M

## Medium Cylinder Track Head



### Features

Designed to let the interior design and not the lighting take center stage, the SPEQ track head from Amerlux balances clean, minimal aesthetic design with industry leading optical performance. The fixture has no visible heat sink or venting and has snoot perfectly matched to provide excellent glare control while maintaining the clean fixture lines. The integral driver is fully featured with low end dimming and full 2.5 KV surge protection (not a lamp driver!) Perfect for Galleries, Retail and Commercial interiors SPEQ uses high end optical designs to ensure your space is lit perfectly and efficiently.

### Product Overview

Type:	Track Accent & Display
Wattage:	18W, 21W, 26W
Lumen Output:	2,056 max (26W, Spot optic); 78.4 lm/W
OBOP:	14,898 max (26W, Spot optic)
Color Temp:	2700K, 3000K, 3500K, 4000K
CRI:	83 typ. & 90+ typ. CrispWhite & 3K Class A LED's available
Dimming:	TRIAC & ELV (120V) - 5% Dim

PROJECT:

TYPE:

### Fixture Summary *(see following pages for more information)*

#### Performance Chart

Nominal Watts	Delivered Lumens	LPW	OBOP	Color Temp
18*	1,215	68.6	26,813	3000K-83
21	1,850	88	13,578	3000K-83
26	2,056	78.4	14,898	3000K-83

*Data is based on 3000K-83 IES files available on website.*

*Data is based on Spot optic, except for 18W. \*18W is VNSP only.*

#### Electrical Data

	18W		21W		26W	
	System Watts	Amps	System Watts	Amps	System Watts	Amps
120V	18	0.15	21.4	0.18	26	0.22
277V	N/A	N/A	21.8	0.08	26	0.09

*Electronic constant current LED driver*



**5** year limited warranty  
AMERLUX LED



# SPEQ-M

Medium Cylinder Track Head



SPEQ Medium Cylinder Track Head

## PROJECT:

## TYPE:

### Ordering Information

#### SPEQ-M-A17.



- 1** Model  
SPEQ-M-A17†
- 2** Wattage  
18 (VNSP only)  
21  
26
- 3** Finish  
WT - white texture  
BT - black texture  
ST - silver texture  
*Other finishes, consult factory*
- 4** Mounting  
TN1 - Global 1cir/H-Style, 120V  
TEK - Global 2cir/2neut, 120V  
TN3 - Global 3cir, 120V  
TN2 - Global 2cir/2neut, 277V  
CT - J-Style, 120V  
LOL - L-Style, 120V  
B\* - busway, 120V/277V  
C - canopy, 120V/277V  
CCL2-SCP - C-clamp, black, with straight cord\*\*, 6'  
CCL2-CCP - C-clamp, black, with coil cord\*\*, 5'  
**Notes:** \*Black busway adapter used for ST finish  
\*\*Black cord used for BT & ST finish  
White cord used for WT finish
- 5** Voltage  
120  
277 (not available for 18W) (not available with LE/TE dimming driver)
- 6** Beam Spreads  
VNSP - very narrow spot 8° (18W only)  
SP - spot 15°  
VNF - very narrow flood 18°  
NF - narrow flood 23°  
FL - flood 34°  
WF - wide flood 44°  
LS - linear spread lens, 60° x 10° (reduces # of accessories by 1, if applicable)
- 7** Color Temp  
83 CRI:                      90+ CRI:  
27 - 2700K-83    229 - 2200K-90+    CRISP - CrispWhite  
30 - 3000K-83    279 - 2700K-90+    (not available for  
35 - 3500K-83    309 - 3000K-90+    VNSP)  
40 - 4000K-83    359 - 3500K-90+    3CLA - 3K Class A  
409 - 4000K-90+
- 8** Driver  
SPEQ-M 18W:  
LE/TE - TRIAC/ELV dimming 120V only  
  
SPEQ-M 21W & 26W:  
LE/TE - TRIAC/ELV dimming, 120V only  
ND - non-dimming, 277V only
- 9** Options/Accessories  
(standard front door accepts 2 accessories)  
SN - snoot (accepts 2 accessories or cross blade + 1 accessory)  
HEX - hexcell louver  
SOL - solite beam softening lens  
CB - cross blade (requires snoot)



Note: See page 8 for Energy Star approved model numbers.

† The "A" refers to the sequential revision in a year and "XX" refers to the year of update. Updates coincide with improved performance while not changing the overall fixture aesthetic and are reflected in the published performance data. Please contact your Amerlux representative for explanations of changes.

# SPEQ-M

Medium Cylinder Track Head



## PROJECT:

## TYPE:

### Specifications

#### Application

Retail, Museum, Gallery, Hospitality and Commercial accent and display lighting

#### Construction

Complete die-cast aluminum construction  
No exposed wiring  
Unique magnetic dual lock front door

#### Optical

Patented Amerlux designed TIR optical system.  
0-90° lockable tilt, 360° rotation  
Tilt indicating marks for common tilt positioning  
**Beam Spreads:** Very Narrow Spot 8°, Spot 15°  
Very Narrow Flood 18°, Narrow Flood 23°, Flood 34°  
Wide Flood 44°; Linear Spread Lens 60° x 10°

#### LED

##### Color Temp Options:

2200K, 2700K, 3000K, 3500K, 4000K

CRI: 83 typ. (2700K, 3000K, 3500K, 4000K)

90+ typ. (2200K, 2700K, 3000K, 3500K, 4000K)

CrispWhite\* and Class A\*\* 3000K LEDs available

R9 Values: 11 (83 CRI), 55 (90+ CRI)

Binning: 3 MacAdam (SDCM)

Life: 50,000+ hrs, > 70% of initial lumens at 50,000 hrs

*\*CrispWhite: CrispWhite Technology delivers the warmth of colors expected from a high 90 CRI solution but also creates the natural crisp white color similar to CMH sources. It creates impactful lighting by revealing the richest whites and vibrant colors that pop.*

*\*\*Class A LED: Class A LED's have a CRI > 80 and a GAI > 80. CRI defines color "Naturalness" and GAI defines color "Saturation." Both being high delivers rich colors and pure whites.*

#### Electrical

Wattage: 18, 21, 26

Electronic constant current LED driver, 120V input only

Non-dimming driver, 277V only

**This product complies with IEEE C62.41 for surge endurance up to 2.5KV. Amerlux® recommends using additional surge protection with this unit (supplied by others), surge and over voltage damage is not covered under warranty.**

#### Driver

**LE/TE** - Leading Edge (Triac, Forward Phase) or Trailing Edge (ELV, Reverse Phase) autosensing driver dims down to less than 5% on most dimming system. 120V only

**ND** - non-dimming, 277V only (21W & 26W only)

All drivers rated for A/C voltage input +/- 10%

See dimming pages for more information.

#### Finish

Powder coat paint.

**Standard colors:** White Texture, Black Texture, Silver Texture

Consult factory for custom RAL powder coat finishes

#### Mounting

Track, canopy, c-clamp and busway.

**Note: Ceiling mounted track only**

#### Certifications

Approved to UL standards as tested by CSA.

Intended for indoor use only.

#### Warranty

5 year limited warranty

# SPEQ-M

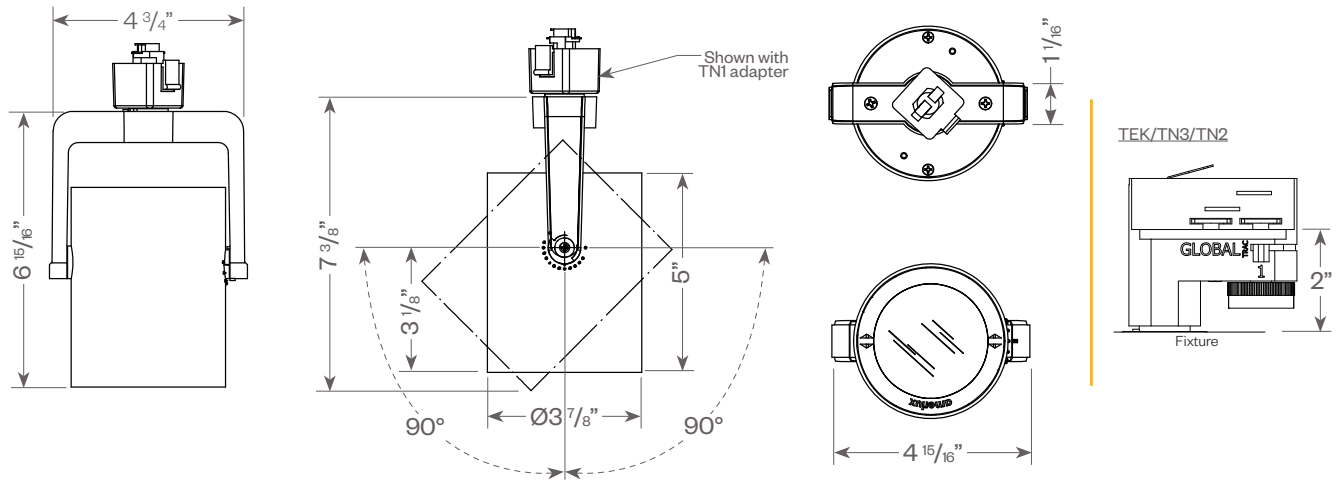
Medium Cylinder Track Head



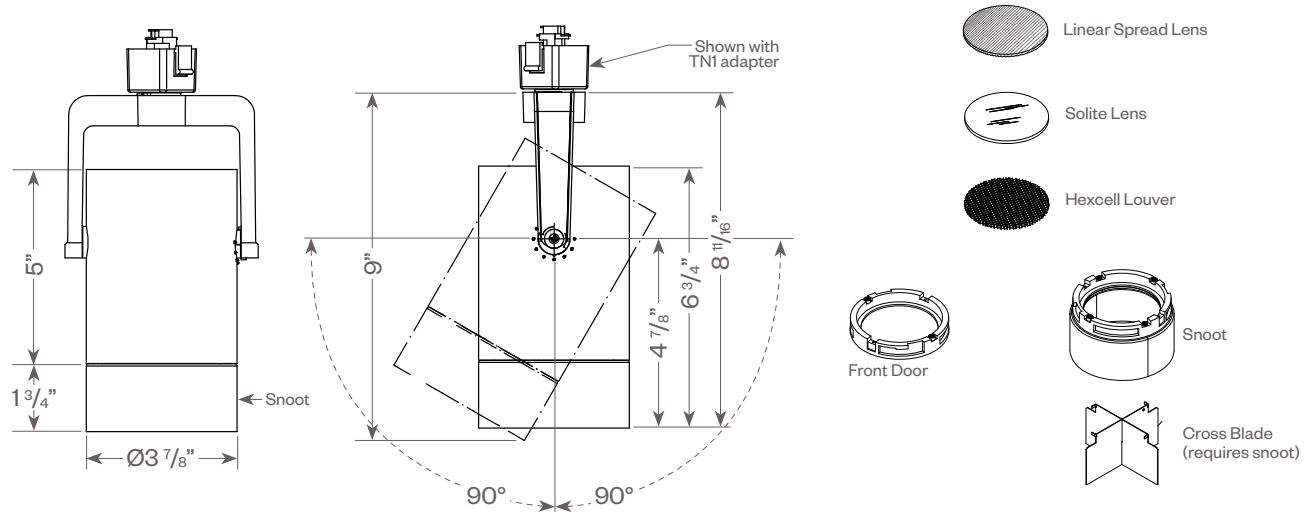
PROJECT:

TYPE:

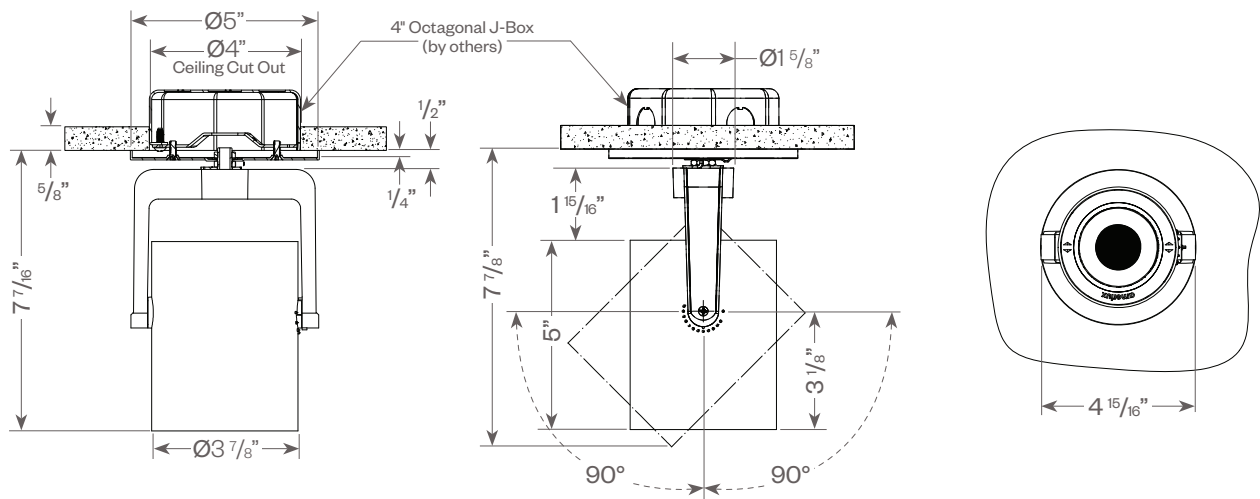
## SPEQ-M



## SPEQ-M SNOOT & ACCESSORIES



## SPEQ-M CANOPY MOUNT



# SPEQ-M

Medium Cylinder Track Head



**PROJECT:**

**TYPE:**

**FIXTURE DATA:** (Complete photometric data (.ies format) available upon request)

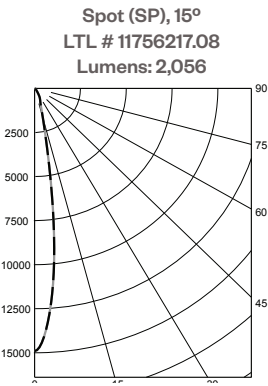
**MULTIPLYING FACTORS:** (Multiplying Factor is based on 3000K-83 120V IES file on website)

Wattage:	21W	26W
Factor:	0.80	1.0

CCT:	2700K-83	3000K-83	3500K-83	4000K-83
Factor:	0.96	1.0	1.02	1.04

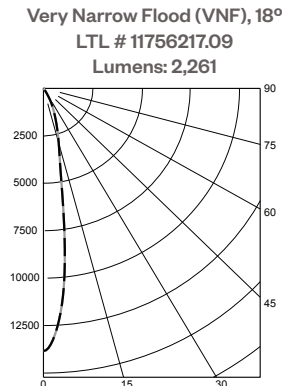
CCT:	2200K-90+	2700K-90+	3000K-90+	3500K-90+	CRISP	3CLA
Factor:	0.71	0.80	0.83	0.87	0.65	0.75

**26W LED, 3000K (For FL & WF beam options see pg 6; For VNSP (18W only) beam option see pg 6)**



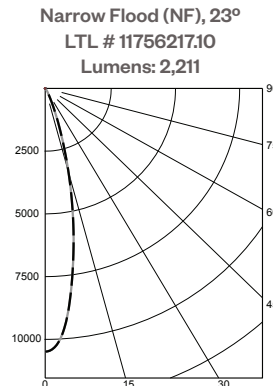
**Candelas at Nadir**

Deg	Candela
0	14900
5	11130
15	1618
25	675
35	263
45	117



**Candelas at Nadir**

Deg	Candela
0	13840
5	10980
15	2848
25	1022
35	130
45	34



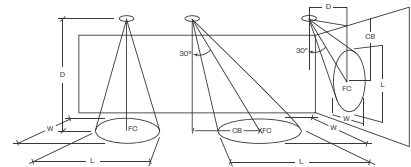
**Candelas at Nadir**

Deg	Candela
0	10490
5	9345
15	3601
25	574
35	115
45	38

**APPLICATION DATA:**

**Notes and Definitions:**

- Beam spread is to 50% center beam candlepower (CBCP).
- D=Distance to floor or wall.
- FC=Footcandles on floor or wall at center beam aiming location.
- L=Effective Visual Beam length in feet (50% of maximum footcandle level).
- W=Effective Visual Beam width in feet (50% of maximum footcandle level).
- CB=Distance across or down to center beam location.



	0° Aiming Angle Horizontal Footcandles				30° Aiming Angle Horizontal Footcandles				30° Aiming Angle Vertical Footcandles				60° Aiming Angle Vertical Footcandles						
	D	FC	L	W	D	FC	L	W	CB	D	FC	L	W	CB	D	FC	L	W	CB
SPOT	5.0'	595	1.2	1.2	5.0'	384	1.7	1.4	3.0	3.0'	223	2.9	1.4	5.0	3.0'	810	1.3	1.2	2.0
	7.5'	265	2.0	2.0	7.5'	171	2.6	2.3	4.0	4.0'	135	3.6	1.8	6.0	4.0'	576	1.5	1.2	2.0
	10.0'	149	2.7	2.7	10.0'	95	3.6	3.1	6.0	5.0'	85	4.5	2.7	8.0	5.0'	372	1.9	1.4	3.0
	12.5'	96	3.3	3.3	12.5'	63	4.3	3.8	7.0	6.0'	60	5.3	3.0	9.0	6.0'	256	2.2	1.7	3.0
VERY NARROW FLOOD	5.0'	553	1.4	1.4	5.0'	357	2.0	1.6	3.0	3.0'	210	3.4	1.6	4.0	3.0'	781	1.6	1.2	2.0
	7.5'	246	2.3	2.3	7.5'	162	2.9	2.7	4.0	4.0'	130	4.1	2.1	6.0	4.0'	553	1.7	1.3	2.0
	10.0'	139	3.0	3.0	10.0'	88	4.0	3.4	6.0	5.0'	82	5.3	2.8	7.0	5.0'	347	2.1	1.6	3.0
	12.5'	89	3.6	3.6	12.5'	59	4.8	4.1	7.0	6.0'	58	6.3	3.3	9.0	6.0'	246	2.4	1.9	3.0
NARROW FLOOD	5.0'	420	2.0	2.0	5.0'	271	2.7	2.4	3.0	3.0'	200	3.4	2.1	4.0	3.0'	636	2.0	1.4	2.0
	7.5'	187	3.1	3.1	7.5'	127	3.8	3.4	4.0	4.0'	110	4.5	2.9	5.0	4.0'	448	2.1	1.8	2.0
	10.0'	105	4.1	4.1	10.0'	72	5.1	4.6	5.0	5.0'	72	5.6	3.5	7.0	5.0'	265	2.7	2.4	3.0
	12.5'	68	5.1	5.1	12.5'	45	6.5	5.8	6.0	6.0'	50	6.9	4.2	8.0	6.0'	199	3.1	2.8	3.0

# SPEQ-M

Medium Cylinder Track Head



**PROJECT:**

**TYPE:**

**FIXTURE DATA:** (Complete photometric data (.ies format) available upon request)

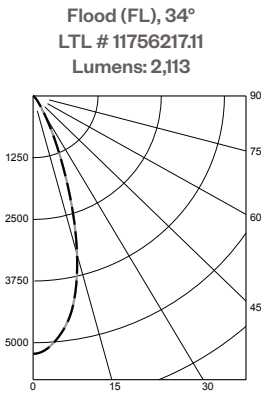
**MULTIPLYING FACTORS:** (Multiplying Factor is based on 3000K-83 120V IES file on website)

Wattage:	21W	26W
Factor:	0.80	1.0

CCT:	2700K-83	3000K-83	3500K-83	4000K-83
Factor:	0.96	1.0	1.02	1.04

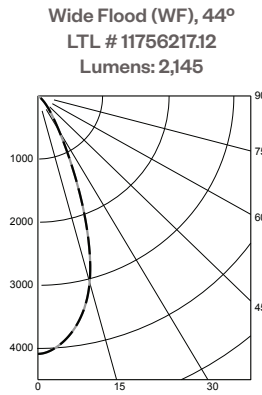
CCT:	2200K-90+	2700K-90+	3000K-90+	3500K-90+	CRISP	3CLA
Factor:	0.71	0.80	0.83	0.87	0.65	0.75

**26W LED, 3000K (For SP, VNF & NF beam options see pg 5)**



**Candelas at Nadir**

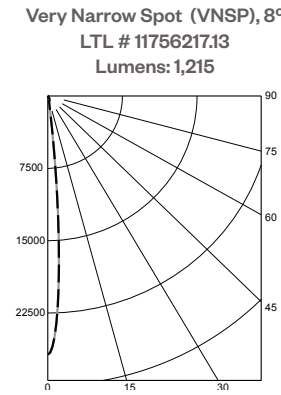
Deg	Candela
0	5,225
5	4981
15	3308
25	1054
35	241
45	77



**Candelas at Nadir**

Deg	Candela
0	4086
5	3945
15	3033
25	1207
35	373
45	129

**~~18W ONLY~~**



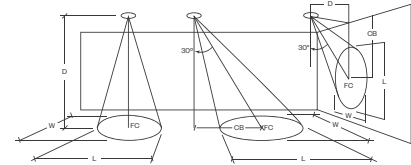
**Candelas at Nadir**

Deg	Candela
0	26810
5	10210
15	536
25	406
35	152
45	64

**APPLICATION DATA:**

**Notes and Definitions:**

- Beam spread is to 50% center beam candlepower (CBCP).
- D=Distance to floor or wall.
- FC=Footcandles on floor or wall at center beam aiming location.
- L=Effective Visual Beam length in feet (50% of maximum footcandle level).
- W=Effective Visual Beam width in feet (50% of maximum footcandle level).
- CB=Distance across or down to center beam location.



	0° Aiming Angle Horizontal Footcandles					30° Aiming Angle Horizontal Footcandles					30° Aiming Angle Vertical Footcandles					60° Aiming Angle Vertical Footcandles				
	D	FC	L	W	CB	D	FC	L	W	CB	D	FC	L	W	CB	D	FC	L	W	CB
FLOOD	5.0'	210	3.0	3.0		5.0'	148	3.5	3.2	2.0	3.0'	140	3.3	2.7	3.0	3.0'	448	2.2	1.6	1.0
	7.5'	93	4.4	4.4		7.5'	66	5.2	4.9	3.0	4.0'	78	4.5	3.4	4.0	4.0'	264	2.7	2.5	2.0
	10.0'	53	5.9	5.8		10.0'	37	7.0	6.5	4.0	5.0'	50	5.5	4.3	6.0	5.0'	167	3.3	3.0	2.0
	12.5'	34	7.4	7.4		12.5'	24	8.8	8.1	5.0	6.0'	35	6.7	5.1	7.0	6.0'	112	4.0	3.8	3.0
WIDE FLOOD	5.0'	164	3.3	3.3		5.0'	121	3.8	3.5	2.0	3.0'	120	3.2	2.7	3.0	3.0'	332	2.3	2.0	1.0
	7.5'	73	5.1	5.1		7.5'	54	5.6	5.4	3.0	4.0'	68	4.4	3.6	4.0	4.0'	182	3.2	3.0	2.0
	10.0'	41	6.7	6.8		10.0'	30	7.6	7.3	4.0	5.0'	44	5.4	4.7	5.0	5.0'	122	3.9	3.5	2.0
	12.5'	27	8.4	8.5		12.5'	20	9.6	9.2	5.0	6.0'	30	6.6	5.5	6.0	6.0'	84	4.7	4.5	2.0
18W ONLY VERY NARROW SPOT	5.0'	1065	1.0	1.0		5.0'	764	1.0	1.0	3.0	3.0'	437	1.5	1.0	5.0	3.0'	1155	1.0	1.0	2.0
	7.5'	475	1.1	1.1		7.5'	289	1.8	1.3	4.0	4.0'	220	2.4	1.1	7.0	4.0'	856	1.1	1.0	2.0
	10.0'	267	1.4	1.4		10.0'	177	2.1	1.6	6.0	5.0'	149	2.7	1.2	8.0	5.0'	729	1.0	1.0	3.0
	12.5'	171	1.8	1.8		12.5'	116	2.4	2.2	7.0	6.0'	104	3.3	1.6	10.0	6.0'	372	1.8	1.1	3.0

# SPEQ-M

Medium Cylinder Track Head



## PROJECT:

## TYPE:

### DIMMING COMPATIBILITY:

Amerlux® Speq fixtures are compatible with all major dimming protocols prevalent in the United States. Please see below for general compatibilities and wiring diagrams. Amerlux recommends testing your unique dimming configuration as the exact full configuration (Dimmer, Fixture Quantity, Voltage, etc) may affect dimming performance.

**--- NOTE: INFORMATION BELOW IS FOR WIRED DIMMERS ONLY. FOR WIRELESS DIMMERS, CONSULT FACTORY ---**

### TRIAC (Forward Phase) DIMMING (Standard)

Utilizes "Standard" incandescent dimmers that are in wide use in installations across the US. .

#### Notes:

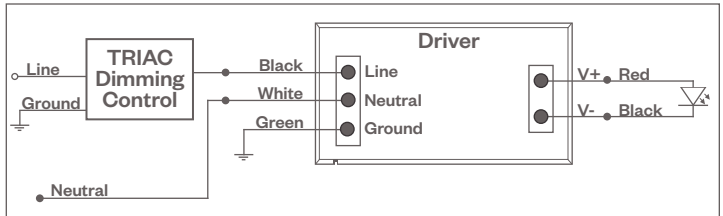
- 120V
- Dims down to less than 5% light output (most cases)
- Consult Dimming manufacturer for installation instructions - DO NOT SHARE NEUTRALS!
- Must meet dimmer Minimum Load Requirements per dimming manufacturer

#### Compatible Dimmers:

##### Wall Box (Incandescent Style, Wattage as required)

Lutron "Diva"	Lutron "Vareo"
Lutron "Nova-T"	Lutron "Skylark"
Lutron "Maestro"	

TRIAC Wiring Diagram



### ELV - Electronic Low Voltage (Reverse Phase) DIMMING (Standard)

Utilizes specialized "ELV" dimmers.

#### Notes:

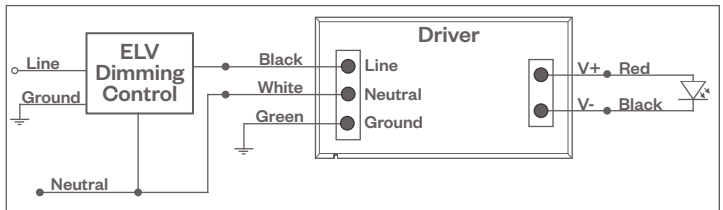
- 120V
- Dims down to less than 5% light output (most cases)
- Consult Dimming manufacturer for installation instructions - DO NOT SHARE NEUTRALS!
- Must meet dimmer Minimum Load Requirements per dimming manufacturer

#### Compatible Dimmers:

##### Wall Box (ELV Style)

Lutron "Diva"	Leviton "Surslide"
Lutron "Nova-T"	Leviton "Vizio"
Lutron "Maestro"	
Lutron "Vareo"	
Lutron "Skylark"	

ELV Wiring Diagram



# SPEQ-M

Medium Cylinder Track Head



PROJECT:

TYPE:

ENERGY STAR APPROVED MODEL NUMBERS:



## Certificate of Conformance

### Energy Efficiency Certification

UL conducted an independent evaluation on behalf of:

**Amerlux Global Lighting Solutions**  
178 Bauer Dr., Oakland, NJ 07436

for the following products: This product meets all of the necessary qualifications pursuant to:

**Directional Luminaires** ENERGY STAR®: Program Requirements For Luminaires, Version 2.0

Brand: Amerlux

Model: See Appendix A



2018-02-05  
**Certification Date**  
 N/A  
**Certification Revision Date**  
  
**Issued by**  
 11948772  
**UL Product Number**

00-VS-F0419, Version 6.0. This is to certify that representative samples of the Certified Product(s) listed above have been investigated by UL to the Standard(s) indicated on this certificate, in accordance with the UL Global Services Agreement and the EEC Terms & Conditions ("Agreement"). The Certificate Holder is entitled to use the UL Energy Verified Mark for the Certified Product(s) listed on the certificate and manufactured at the production site(s) covered by the UL Test Report, in accordance with the terms of the Agreement. This Certificate shall remain valid unless a Standard Identified on this Certificate is amended or withdrawn prior to that date or there is a non-compliance with the Agreement.

#### Appendix A

Model Name	Model Number	Family Model(s) - Additional Model Number
SPEQ-M	SPEQ-M-A17-26-**-***-120-***-309-LE/TE	SPEQ-M-A17-26-**-***-120-***-359-LE/TE
		SPEQ-M-A17-26-**-***-120-***-409-LE/TE
		SPEQ-M-A17-26-**-***-120-***-27-LE/TE
		SPEQ-M-A17-26-**-***-120-***-30-LE/TE
		SPEQ-M-A17-26-**-***-120-***-35-LE/TE
		SPEQ-M-A17-26-**-***-120-***-40-LE/TE
		SPEQ-M-A17-26-**-***-120-***-CRISP-LE/TE
SPEQ-M	SPEQ-M-A17-21-**-***-120-***-309-LE/TE	SPEQ-M-A17-21-**-***-120-***-359-LE/TE
		SPEQ-M-A17-21-**-***-120-***-409-LE/TE
		SPEQ-M-A17-21-**-***-120-***-27-LE/TE
		SPEQ-M-A17-21-**-***-120-***-30-LE/TE
		SPEQ-M-A17-21-**-***-120-***-35-LE/TE
		SPEQ-M-A17-21-**-***-120-***-40-LE/TE
		SPEQ-M-A17-21-**-***-120-***-359-LE/TE