

# SPEQ-L

## Large Cylinder Track Head



### Features

Designed to let the interior design and not the lighting take center stage, the SPEQ track head from Amerlux balances clean, minimal aesthetic design with industry leading optical performance. The fixture has no visible heat sink or venting and has snoot perfectly matched to provide excellent glare control while maintaining the clean fixture lines. The integral driver is fully featured with low end dimming and full 2.5 KV surge protection (not a lamp driver!) Perfect for Galleries, Retail and Commercial interiors SPEQ uses high end optical designs to ensure your space is lit perfectly and efficiently.

### Product Overview

Type:	Track Accent & Display
Wattage:	33W, 41W, 48W
Lumen Output:	3,977 max (48W, Spot optic); 82.8 lm/W
CBCP:	46,856 max (48W, Spot optic)
Color Temp:	2700K, 3000K, 3500K, 4000K
CRI:	83 typ. & 90+ typ. CrispWhite & 3K Class A LED's available
Dimming:	TRIAC & ELV (120V/277V) - 5% Dim

PROJECT:

TYPE:

### Fixture Summary *(see following pages for more information)*

#### Performance Chart

Nominal Watts	Delivered Lumens	LPW	CBCP	Color Temp
33	2,903	88.2	34,204	3000K-83
41	3,460	84.4	40,764	3000K-83
48	3,977	82.8	46,856	3000K-83

*Data is based on 3000K-83 IES files available on website.*

*Data is based on Spot optic.*

#### Electrical Data

	33W		41W		48W	
	System Watts	Amps	System Watts	Amps	System Watts	Amps
120V	33	0.28	41	0.34	48	0.40
277V	33	0.12	41	0.15	48	0.17

*Electronic constant current LED driver*



5 year limited warranty  
AMERLUX LED



# SPEQ-L

Large Cylinder Track Head



## PROJECT:

## TYPE:

### Ordering Information



**1** Model  
SPEQ-L-A17†

**2** Wattage  
33  
41  
48

**3** Finish  
WT - white texture  
BT - black texture  
ST - silver texture  
*Other finishes, consult factory*

**4** Mounting  
TN1 - Global 1cir/H-Style, 120V  
TEK - Global 2cir/2neut, 120V  
TN3 - Global 3cir, 120V  
TN2 - Global 2cir/2neut, 277V  
CT - J-Style, 120V  
LOL - L-Style, 120V  
B\* - busway, 120V/277V  
C - canopy, 120V/277V  
CCL2-SCP - C-clamp, black, with straight cord\*\*, 6'  
CCL2-CCP - C-clamp, black, with coil cord\*\*, 5'  
Notes: \*Black busway adapter used for ST finish  
\*\*Black cord used for BT & ST finish,  
White cord used for WT finish

**5** Voltage  
120  
277

**6** Beam Spreads  
SP - spot, 15°  
NF - narrow flood, 18°  
FL - flood, 25°  
WF - wide flood, 36°  
LS - linear spread lens, 60° x 10° (reduces # of accessories by 1, if applicable)

**7** Color Temp  
83 CRI:                      90+ CRI:  
27 - 2700K-83    279 - 2700K-90+    CRISP - CrispWhite  
30 - 3000K-83    309 - 3000K-90+    3CLA - 3K Class A  
35 - 3500K-83    359 - 3500K-90+  
40 - 4000K-83    409 - 4000K-90+

**8** Driver  
LE/TE - TRIAC/ELV dimming, 120V/277V

**9** Options/Accessories  
(standard front door accepts up to 2 accessories)  
SN - snoot (accepts up to 2 accessories or cross blade + 1 accessory)  
HEX - hexcell louver  
SOL - solite beam softening lens  
CB - cross blade (requires snoot)



Note: See page 8 for Energy Star approved model numbers.

† The "A" refers to the sequential revision in a year and "XX" refers to the year of update. Updates coincide with improved performance while not changing the overall fixture aesthetic and are reflected in the published performance data. Please contact your Amerlux representative for explanations of changes.

# SPEQ-L

Large Cylinder Track Head



## PROJECT:

## TYPE:

### Specifications

#### Application

Retail, Museum, Gallery, Hospitality and Commercial accent and display lighting

#### Construction

Complete die-cast aluminum construction  
No exposed wiring  
Unique magnetic dual lock front door

#### Optical

Amerlux designed Reflector optical system.  
0-90° lockable tilt, 360° rotation  
Tilt indicating marks for common tilt positioning  
**Beam Spreads:** Spot 15°, Flood 25°, Wide Flood 35°  
Linear Spread Lens 60° x 10°

#### LED

##### Color Temp Options:

2700K, 3000K, 3500K, 4000K

**CRI:** 83 typ. (2700K, 3000K, 3500K, 4000K)

90+ typ. (2700K, 3000K, 3500K, 4000K)

CrispWhite\* and Class A\*\* 3000K LEDs available

**R9 Values:** 11 (83 CRI), 55 (90+ CRI)

**Binning:** 3 MacAdam (SDCM)

**Life:** 50,000+ hrs, > 70% of initial lumens at 50,000 hrs

*\*CrispWhite: CrispWhite Technology delivers the warmth of colors expected from a high 90 CRI solution but also creates the natural crisp white color similar to CMH sources. It creates impactful lighting by revealing the richest whites and vibrant colors that pop.*

*\*\*Class A LED: Class A LED's have a CRI > 80 and a GAI > 80. CRI defines color "Naturalness" and GAI defines color "Saturation." Both being high delivers rich colors and pure whites.*

#### Electrical

**Wattage:** 33, 41, 48

Electronic constant current LED driver, 120V/277V input

**This product complies with IEEE C62.41 for surge endurance up to 2.5KV. Amerlux® recommends using additional surge protection with this unit (supplied by others), surge and over voltage damage is not covered under warranty.**

#### Driver

LE/TE - Leading Edge (Triac, Forward Phase) or Trailing Edge (ELV, Reverse Phase) autosensing driver dims down to less than 5% on most dimming system.

See dimming pages for more information.

#### Finish

Powder coat paint.

**Standard colors:** White Texture, Black Texture, Silver Texture

Consult factory for custom RAL powder coat finishes

#### Mounting

Track, canopy, c-clamp and busway.

**Note: Ceiling mounted track only**

#### Certifications

Approved to UL standards as tested by CSA.

Intended for indoor use only.

#### Warranty

5 year limited warranty

# SPEQ-L

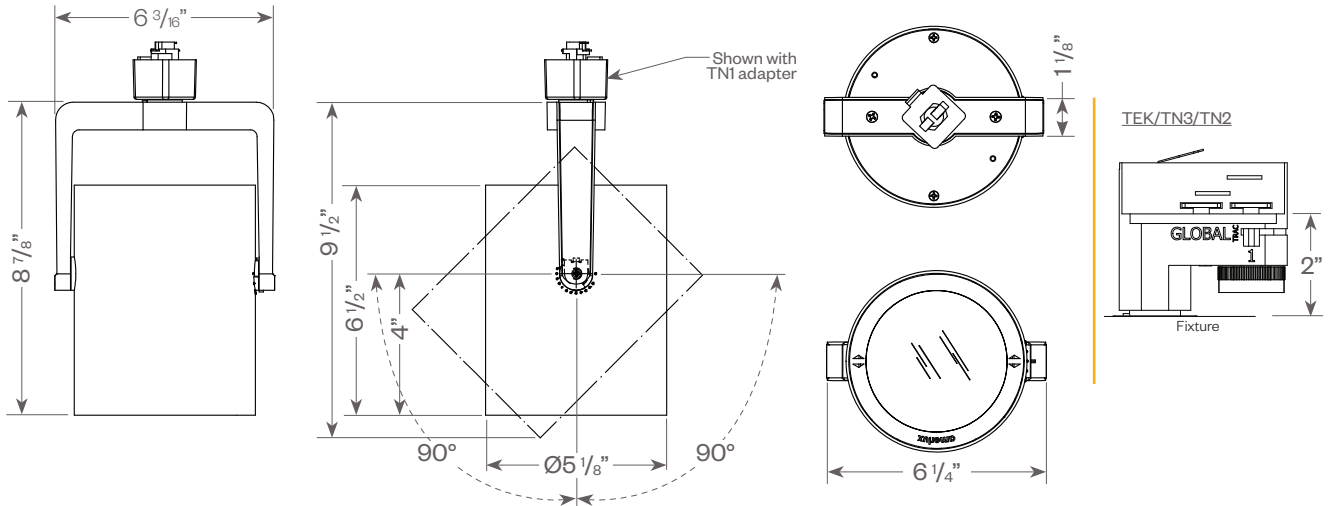
Large Cylinder Track Head



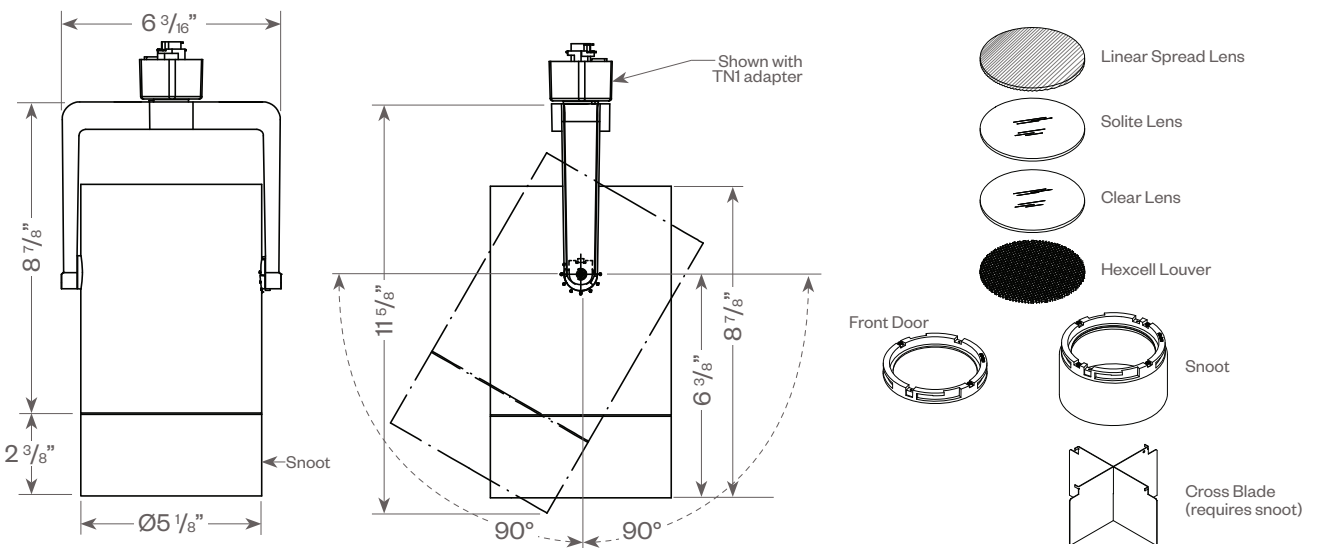
PROJECT:

TYPE:

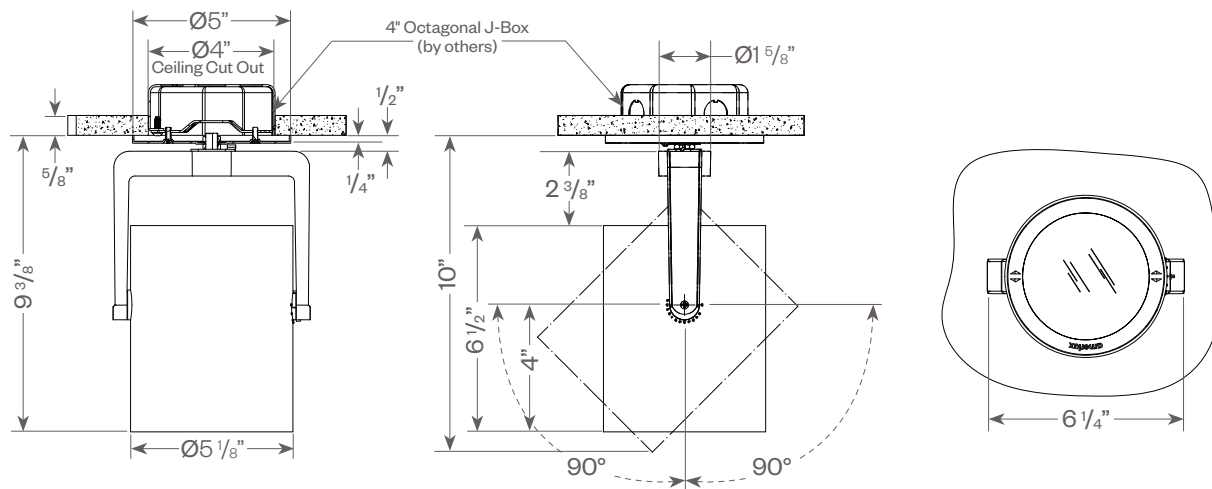
## SPEQ-L



## SPEQ-L SNOOT & ACCESSORIES



## SPEQ-L CANOPY MOUNT



# SPEQ-L

Large Cylinder Track Head



## PROJECT:

## TYPE:

**FIXTURE DATA:** (Complete photometric data (.ies format) available upon request)

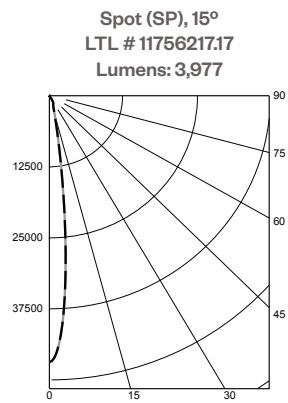
**MULTIPLYING FACTORS:** (Multiplying Factor is based on 3000K-83 120V IES file on website)

Wattage:	33W	41W	48W
Factor:	0.73	0.87	1.0

CCT:	2700K-83	3000K-83	3500K-83	4000K-83
Factor:	0.96	1.0	1.02	1.04

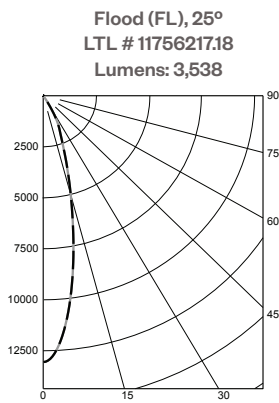
CCT:	2200K-90+	2700K-90+	3000K-90+	3500K-90+	4000K-90+	CRISP	3CLA
Factor:	0.71	0.80	0.83	0.87	0.90	0.65	0.75

### 48W LED, 3000K-83



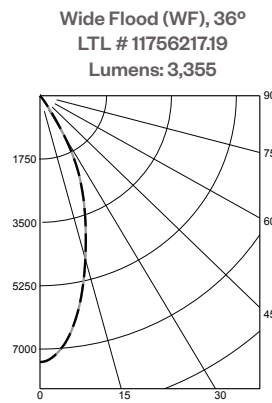
**Candelas at Nadir**

Deg	Candela
0	46860
5	30380
15	3118
25	1514
35	94
45	19



**Candelas at Nadir**

Deg	Candela
0	13050
5	11530
15	5156
25	1877
35	161
45	36



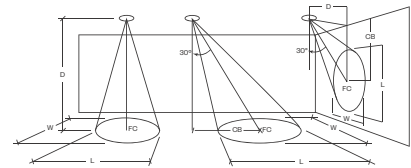
**Candelas at Nadir**

Deg	Candela
0	7358
5	6950
15	4652
25	2491
35	339
45	23

### APPLICATION DATA:

#### Notes and Definitions:

- Beam spread is to 50% center beam candlepower (CBCP).
- D=Distance to floor or wall.
- FC=Footcandles on floor or wall at center beam aiming location.
- L=Effective Visual Beam length in feet (50% of maximum footcandle level).
- W=Effective Visual Beam width in feet (50% of maximum footcandle level).
- CB=Distance across or down to center beam location.



	0° Aiming Angle Horizontal Footcandles				30° Aiming Angle Horizontal Footcandles					30° Aiming Angle Vertical Footcandles					60° Aiming Angle Vertical Footcandles				
	D	FC	L	W	D	FC	L	W	CB	D	FC	L	W	CB	D	FC	L	W	CB
SPOT	5.0'	1870	1.2	1.2	5.0'	1206	1.4	1.2	3.0	3.0'	700	2.5	1.3	5.0	3.0'	2390	1.2	1.1	2.0
	7.5'	832	1.6	1.6	7.5'	526	2.3	1.8	4.0	4.0'	397	3.1	1.5	6.0	4.0'	1714	1.4	1.1	2.0
	10.0'	469	2.3	2.3	10.0'	297	3.0	2.7	6.0	5.0'	262	3.9	2.1	8.0	5.0'	1167	1.5	1.2	3.0
	12.5'	300	2.8	2.8	12.5'	198	3.6	3.2	7.0	6.0'	177	4.9	2.7	9.0	6.0'	763	2.1	1.4	3.0
FLOOD	5.0'	523	2.2	2.2	5.0'	337	2.9	2.6	3.0	3.0'	251	3.8	2.3	4.0	3.0'	784	2.2	1.5	2.0
	7.5'	233	3.3	3.3	7.5'	157	4.1	3.7	4.0	4.0'	142	4.9	3.0	5.0	4.0'	552	2.2	1.9	2.0
	10.0'	131	4.3	4.3	10.0'	88	5.5	4.9	5.0	5.0'	89	6.3	3.8	6.0	5.0'	330	2.9	2.6	3.0
	12.5'	84	5.4	5.4	12.5'	56	6.9	6.1	7.0	6.0'	64	7.8	4.5	8.0	6.0'	246	3.4	3.0	3.0
WIDE FLOOD	5.0'	295	3.2	3.2	5.0'	202	3.8	3.5	2.0	3.0'	184	3.9	2.9	3.0	3.0'	532	2.4	2.1	1.0
	7.5'	131	4.6	4.6	7.5'	90	5.7	5.2	4.0	4.0'	104	4.9	3.9	4.0	4.0'	323	3.0	2.9	2.0
	10.0'	74	6.1	6.1	10.0'	52	7.6	6.9	5.0	5.0'	67	6.4	4.9	5.0	5.0'	206	3.8	3.5	2.0
	12.5'	48	7.7	7.7	12.5'	34	9.5	8.7	6.0	6.0'	47	7.7	5.6	6.0	6.0'	144	4.6	4.1	3.0

# SPEQ-L

Large Cylinder Track Head



**PROJECT:**

**TYPE:**

**FIXTURE DATA:** (Complete photometric data (.ies format) available upon request)

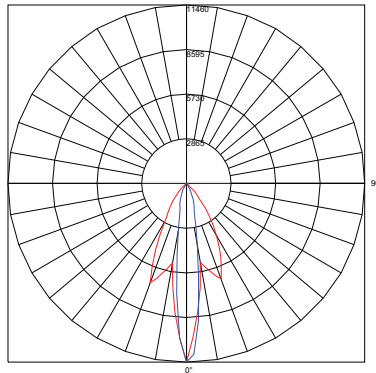
**MULTIPLYING FACTORS:** (Multiplying Factor is based on 3000K-83 120V IES file on website)

Wattage:	33W	41W	48W
Factor:	0.80	1.0	1.2

CCT:	2700K-83	3000K-83	3500K-83	4000K-83
Factor:	0.96	1.0	1.02	1.04

CCT:	2200K-90+	2700K-90+	3000K-90+	3500K-90+	CRISP	3CLA
Factor:	0.71	0.80	0.83	0.87	0.65	0.75

41W Linear Spread, 60° x 10°



**APPLICATION DATA:**

10' mounting height

Footcandles on Floor

1	2	2	2	3	5	5	4	4	6	5	3	2	2	2	1
2	2	3	4	5	7	8	8	8	8	7	5	4	3	2	2
2	3	5	5	7	10	12	13	13	12	10	7	5	4	3	2
4	5	8	9	11	19	25	23	23	25	19	11	10	10	7	4
8	15	21	25	31	47	58	53	53	56	45	30	26	24	17	9
10	17	27	40	55	62	72	96	96	71	59	50	41	32	21	12
6	9	14	29	45	40	44	79	79	45	41	45	32	19	13	9
3	4	6	11	15	15	18	32	32	18	15	15	11	5	4	3
2	3	4	6	8	9	11	15	15	11	9	8	6	4	3	2
2	2	3	4	6	6	8	10	10	8	6	6	4	3	2	2
1	1	2	3	4	4	5	6	6	5	4	4	3	2	1	1
1	1	1	2	2	2	2	3	3	2	2	2	2	1	1	1



0° Aiming Angle  
Horizontal  
Footcandles

[ - - - - ] = Approximate 50% visual beam

8' mounting height

1	1	1	1	1	2	3	2	2	3	2	1	1	1	1	1
1	2	2	3	3	6	8	6	6	8	6	3	3	2	2	1
1	2	3	5	6	9	13	13	13	13	9	6	5	3	2	1
2	3	5	8	10	15	21	23	23	21	15	9	8	5	3	2
3	6	14	21	28	42	69	63	60	65	41	30	28	16	6	3
5	9	22	41	64	87	104	139	139	102	81	62	48	27	12	6
4	7	11	18	44	61	51	105	106	51	61	47	24	15	9	5
2	3	4	6	12	17	19	34	34	19	17	13	6	4	3	2
1	2	3	4	8	11	12	17	17	12	11	8	4	3	2	1
1	1	2	3	5	6	7	9	9	7	6	5	3	2	1	1
1	1	1	1	2	2	2	3	3	2	2	2	1	1	1	1
1	1	1	1	1	1	1	1	1	1	1	1	1	1	1	1

6' mounting height

1	1	1	1	1	1	1	1	1	1	1	1	1	1	1	1
1	1	1	1	1	1	2	2	2	2	1	1	1	1	1	1
1	1	1	3	4	5	11	10	10	12	5	4	3	1	1	1
1	1	2	4	8	11	21	25	25	22	12	8	4	2	1	1
1	2	3	10	17	25	53	65	64	52	26	27	10	3	2	1
1	3	8	26	69	112	168	224	223	160	106	79	32	10	4	1
1	3	7	13	21	72	82	140	141	83	74	27	17	9	4	1
1	1	3	4	8	19	25	37	37	25	19	8	4	3	1	1
1	1	2	3	5	10	12	17	17	12	10	5	3	2	1	1
1	1	1	1	2	3	2	3	3	2	3	2	1	1	1	1
1	1	1	1	1	1	1	1	1	1	1	1	1	1	1	1
1	1	1	1	1	1	1	1	1	1	1	1	1	1	1	1

# SPEQ-L

Large Cylinder Track Head



## PROJECT:

## TYPE:

### DIMMING COMPATIBILITY:

Amerlux® Speq fixtures are compatible with all major dimming protocols prevalent in the United States. Please see below for general compatibilities and wiring diagrams. Amerlux recommends testing your unique dimming configuration as the exact full configuration (Dimmer, Fixture Quantity, Voltage, etc) may affect dimming performance.

**--- NOTE: INFORMATION BELOW IS FOR WIRED DIMMERS ONLY. FOR WIRELESS DIMMERS, CONSULT FACTORY ---**

### TRIAC (Forward Phase) DIMMING (Standard)

Utilizes "Standard" incandescent dimmers that are in wide use in installations across the US.

#### Notes:

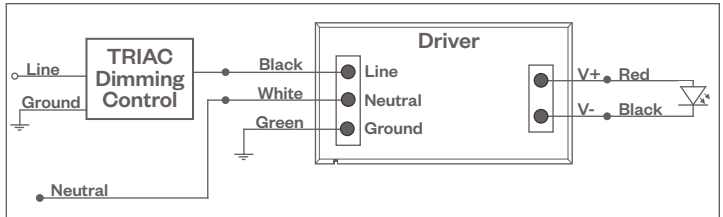
- 120V or 277V\*
- Dims down to less than 5% light output (most cases)
- Consult Dimming manufacturer for installation instructions - DO NOT SHARE NEUTRALS!
- Must meet dimmer Minimum Load Requirements per dimming manufacturer

#### Compatible Dimmers:

##### Wall Box (Incandescent Style, Wattage as required)

Lutron "Diva"	Lutron "Vareo"
Lutron "Nova-T"	Lutron "Skylark"
Lutron "Maestro"	

TRIAC Wiring Diagram



### ELV - Electronic Low Voltage (Reverse Phase) DIMMING (Standard)

Utilizes specialized "ELV" dimmers.

#### Notes:

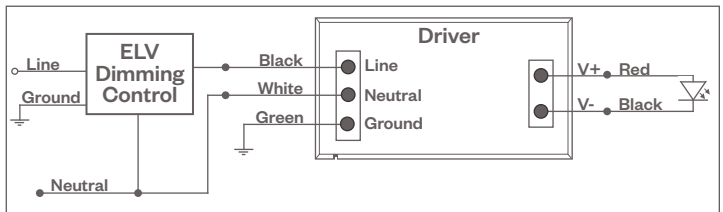
- 120V or 277V\*
- Dims down to less than 5% light output (most cases)
- Consult Dimming manufacturer for installation instructions - DO NOT SHARE NEUTRALS!
- Must meet dimmer Minimum Load Requirements per dimming manufacturer

#### Compatible Dimmers:

##### Wall Box (ELV Style)

Lutron "Diva"	Leviton "Surslide"
Lutron "Nova-T"	Leviton "Vizio"
Lutron "Maestro"	
Lutron "Vareo"	
Lutron "Skylark"	

ELV Wiring Diagram



#### Notes:

- \* Driver is 277V dimmable with appropriate dimmer (by others). All provided wiring diagrams show 120V wiring colors and method. Please refer to 277V dimmer installation instructions for 277V wiring diagrams.

# SPEQ-L

Large Cylinder Track Head



PROJECT:

TYPE:

ENERGY STAR APPROVED MODEL NUMBERS:



## Certificate of Conformance

### Energy Efficiency Certification

UL conducted an independent evaluation on behalf of:

**Amerlux Global Lighting Solutions**  
178 Bauer Dr., Oakland, NJ 07436

for the following products: This product meets all of the necessary qualifications pursuant to:

Directional Luminaires ENERGY STAR®: Program Requirements For Luminaires, Version 2.0

Brand: Amerlux

Model: See Appendix A

2018-01-26

Certification Date

N/A

Certification Revision Date

*David P. [Signature]*

Issued by

11948772

UL Product Number

90-V5-F0419, Version 6.0. This is to certify that representative samples of the Certified Product(s) listed above have been investigated by UL to the Standard(s) indicated on this certificate, in accordance with the UL Global Services Agreement and the EEC Terms & Conditions ("Agreement"). The Certificate Holder is entitled to use the UL Energy Verified Mark for the Certified Product(s) listed on the certificate and manufactured at the production site(s) covered by the UL Test Report, in accordance with the terms of the Agreement. This Certificate shall remain valid unless a Standard identified on this Certificate is amended or withdrawn prior to that date or there is a non-compliance with the Agreement.

#### Appendix A

Model Name	Model Number	Family Model(s) - Additional Model Number
SPEQ-L	SPEQ-L-A17-48-**-***-###-**-279-LE/TE	SPEQ-L-A17-48-**-***-###-**-309-LE/TE
		SPEQ-L-A17-48-**-***-###-**-359-LE/TE
		SPEQ-L-A17-48-**-***-###-**-409-LE/TE
		SPEQ-L-A17-48-**-***-###-**-27-LE/TE
		SPEQ-L-A17-48-**-***-###-**-30-LE/TE
		SPEQ-L-A17-48-**-***-###-**-35-LE/TE
		SPEQ-L-A17-48-**-***-###-**-40-LE/TE
SPEQ-L	SPEQ-L-A17-41-**-***-###-**-279-LE/TE	SPEQ-L-A17-48-**-***-###-**-CRISP-LE/TE
		SPEQ-L-A17-41-**-***-###-**-309-LE/TE
		SPEQ-L-A17-41-**-***-###-**-359-LE/TE
		SPEQ-L-A17-41-**-***-###-**-409-LE/TE
		SPEQ-L-A17-41-**-***-###-**-27-LE/TE
		SPEQ-L-A17-41-**-***-###-**-30-LE/TE
		SPEQ-L-A17-41-**-***-###-**-35-LE/TE
SPEQ-L	SPEQ-L-A17-33-**-***-###-**-279-LE/TE	SPEQ-L-A17-41-**-***-###-**-CRISP-LE/TE
		SPEQ-L-A17-33-**-***-###-**-309-LE/TE
		SPEQ-L-A17-33-**-***-###-**-359-LE/TE
		SPEQ-L-A17-33-**-***-###-**-409-LE/TE
		SPEQ-L-A17-33-**-***-###-**-27-LE/TE
		SPEQ-L-A17-33-**-***-###-**-30-LE/TE
		SPEQ-L-A17-33-**-***-###-**-35-LE/TE
SPEQ-L	SPEQ-L-A17-33-**-***-###-**-279-LE/TE	SPEQ-L-A17-33-**-***-###-**-40-LE/TE
		SPEQ-L-A17-33-**-***-###-**-CRISP-LE/TE