

High Bay 202 Pendant 150W



Base Unit

Features

High-ceilings are becoming more common, such as those found in airports, big box stores and auto dealerships that require fixtures that offer high-output illumination without casting shadows or glare while delivering the appropriate foot-candle levels to adequately illuminate. High bay lighting fixtures typically hang from the ceiling via eyelet hooks for chain or buckle mounting, direct to mounting box or with 48" field cuttable stem. Using the latest in LED technology, the 202 series delivers beautiful color (80CRI) when compared to other industrial LED fixtures as well as, the proper illumination with decreased maintenance cost, better efficiency and better quality of light.

Product Overview

Type:	Round Pendant
Wattage:	150W
Lumen Output:	18,500 lm
Color Temp:	3500K, 4000K
CRI:	80+ typ.
Dimming:	0-10V - 10% Dim

PROJECT:

TYPE:



Base Unit with 60° reflector



Base Unit with 70° refractor

Performance Chart

Watts	Delivered Lumens	LPW	Color Temp
150	17,500	117	3500K-80+
	18,500	123	4000K-80+

Electrical Data

	150W	
	System Watts	Amps
120V	150	1.25
277V	150	0.54

Electronic constant current LED driver



High Bay 202 Pendant

150W



PROJECT:

TYPE:

Ordering Information

Note: High Bays are configured ala carte with base unit, shielding and mounting elements ordered separately for field final installation.

Model: _____
1

Mounting: _____
2

Shielding: _____
3

Control: _____
4

- 1** Model
202-2101-01 - 150W, 3500K, 80CRI, 120° clear lens with 3' supply cord and 3' control cord, 0-10V dimmable driver, eyelet (M10), 120V-277V, black finish
202-2101-02 - 150W, 4000K, 80CRI, 120° clear lens with 3' supply cord and 3' control cord, 0-10V dimmable driver, eyelet (M10), 120V-277V, black finish

- 2** Mounting (required, ordered separately)
202-2106 - stainless steel buckle (requires eyelet)
CS48W-2101 - canopy with 48" field cuttable stem (3/8 NPS), white texture
CS48B-2101 - canopy with 48" field cuttable stem (3/8 NPS), black texture

- 3** Shielding (ordered separately).
202-2104 - 14" 60° aluminum reflector
202-2112 - 16" 70° PC refractor

- 4** Control (ordered separately)
Fixture comes with 0-10V driver and low voltage dimming lead cord that can be wired to building system or for independent control of an individual fixture order this field settable/installable independent control.
202-2109 - daylight and motion sensor (requires refractor or reflector to be attached)

High Bay 202 Pendant

150W



PROJECT:

TYPE:

Specifications - Base Unit

Application

Retail and supermarket ambient and display lighting

Construction

Die-cast aluminum heat sink and driver enclosure with stainless steel eyellet.
Formed sheet metal and junction box (junction box for stem mount only)
IP 65 gasketed optic and driver chambers
Clear lens shields direct source view
36" input wire lead attached
36" dimming wire lead attached

Optical

Beam Spread Options:

Base Unit with 120° clear lens
Base Unit with PC Refractor, 70°
Base Unit with Aluminum Reflector, 60°
(Refractor/Reflector ordered separately)

LED

Color Temp Options:

3500K, 4000K
CRI: 80+ typ. (3000K, 3500K)
R9 Values: 11 (80 CRI)
Binning: 3 MacAdam (SDCM)
Life: 50,000+ hrs, > 70% of initial lumens at 50,000 hrs

Electrical

Wattage: 150
Electronic constant current LED driver, 120V or 277V input
This product complies with IEEE C62.41 for surge endurance up to 2.5KV. Amerlux® recommends using additional surge protection with this unit (supplied by others), surge and over voltage damage is not covered under warranty.

Drivers

0-10V dimming, 10%

Finish

Powder coat paint for stem mounting option
Consult factory for custom finishes

Mounting (ordered separately)

Eyellet (included with base unit), buckle and canopy/stem

Certifications

UL listed
Indoor use only
IP65

Warranty

5 year limited warranty

High Bay 202 Pendant

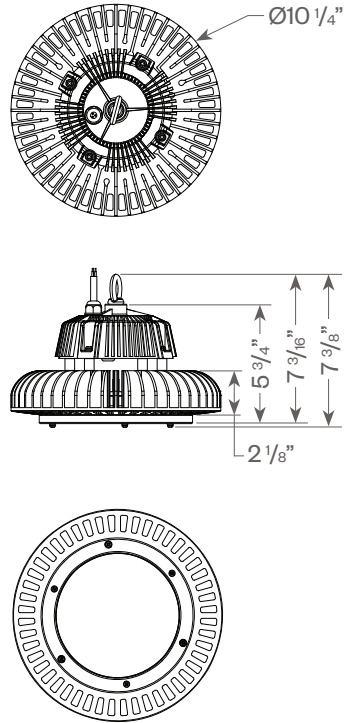
150W



PROJECT:

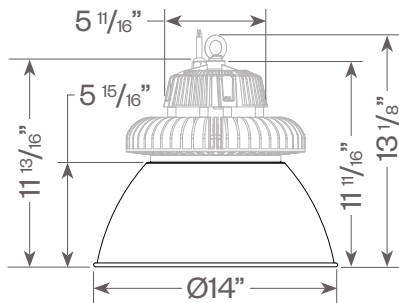
TYPE:

Base Unit



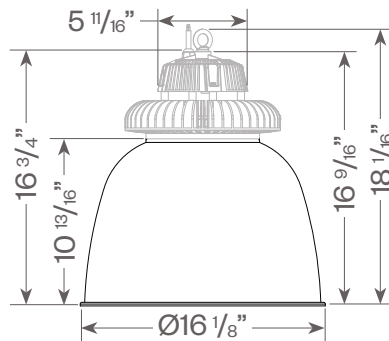
Base Unit with 60° Reflector

Base Unit shown for reference only, Reflector ordered.



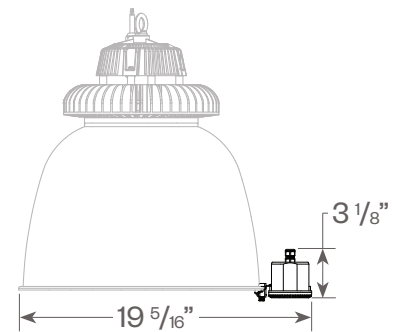
Base Unit with 70° Refractor

Base Unit shown for reference only, Refractor ordered separately.



Independent Control

Base Unit with 70° Refractor shown for reference only, Control ordered separately.



High Bay 202 Pendant

150W

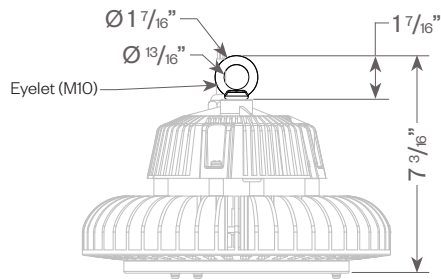


PROJECT:

TYPE:

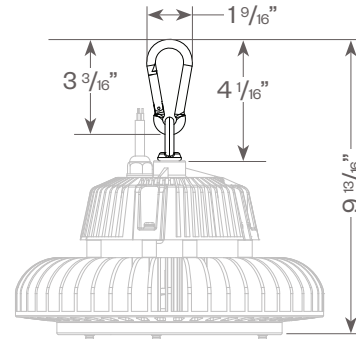
Eyelet Mounting

Eyelet comes standard with base unit.



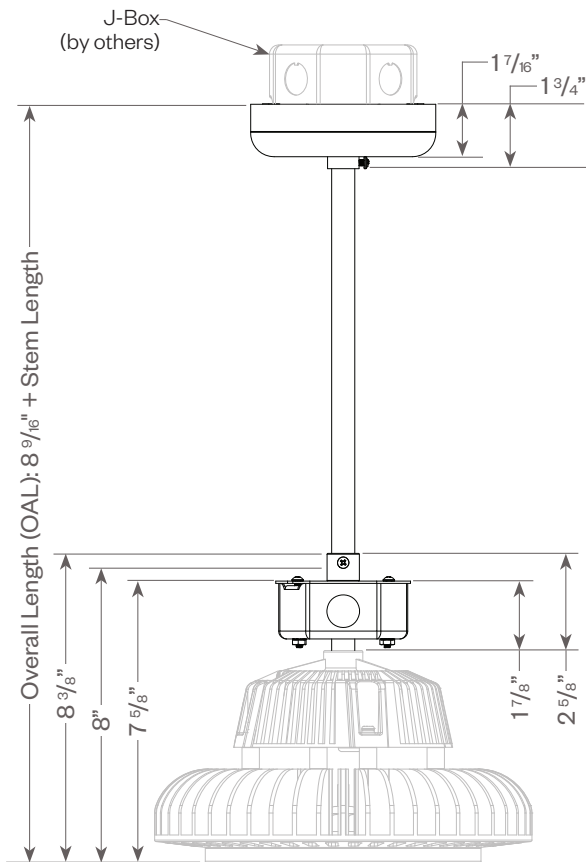
Buckle Mounting (requires eyelet)

Fixture shown for reference, Buckle ordered separately.



Stem Mounting (CS48X-2101 is field cuttable)

Base Unit shown for reference only, Stem/Canopy ordered separately.



High Bay 202 Pendant

150W

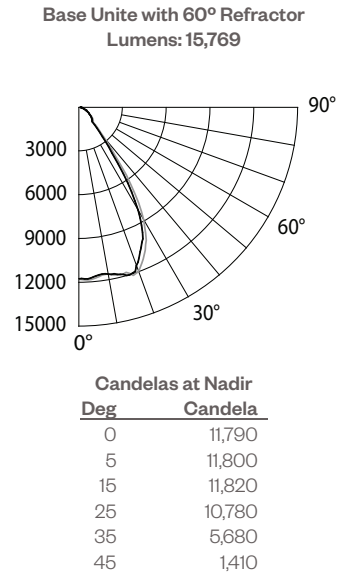
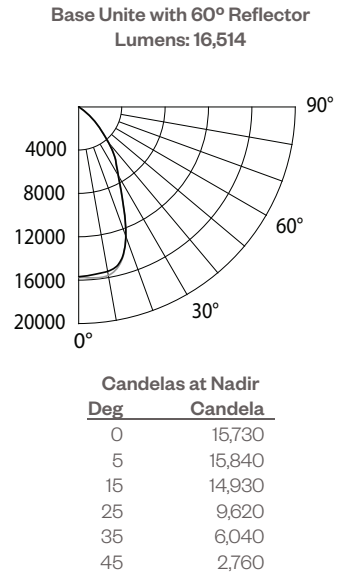
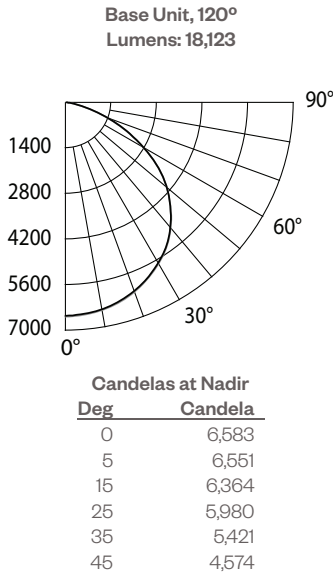


PROJECT:

TYPE:

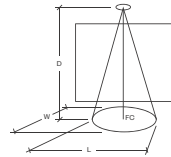
FIXTURE DATA: (Complete photometric data (.ies format) available upon request)

150W LED, 3500K-83



Application Data:

	0° Aiming Angle Horizontal Footcandles			
	D	FC	L	W
Base Unit, 120°	7.5'	117	9.9	9.9
	10.0'	66	13.1	13.1
	12.5'	43	16.5	16.5
	15.0'	30	19.7	19.7
Base Unit with 60° Reflector	7.5'	280	6.8	6.8
	10.0'	158	9.2	9.2
	12.5'	101	11.2	11.2
	15.0'	71	13.6	13.6
Base Unit with 70° Refractor	7.5'	210	8.5	8.5
	10.0'	118	11.2	11.2
	12.5'	76	14.1	14.1
	15.0'	53	17.0	17.0



Notes and Definitions:

- Beam spread is to 50% center beam candlepower (CBCP).
- D**=Distance to floor or wall.
- FC**=Footcandles on floor or wall at center beam aiming location.
- L**=Effective Visual Beam length in feet (50% of maximum footcandle level).
- W**=Effective Visual Beam width in feet (50% of maximum footcandle level).
- CB**=Distance across or down to center beam location.

High Bay 202 Pendant

150W

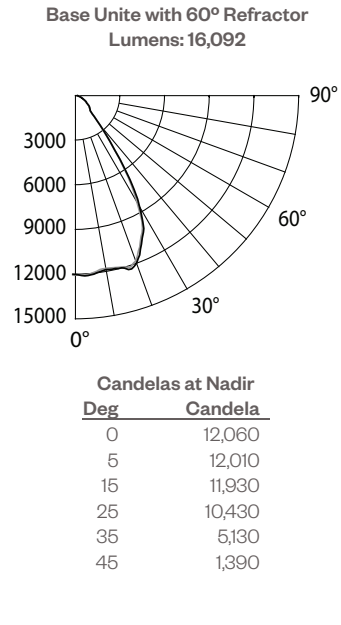
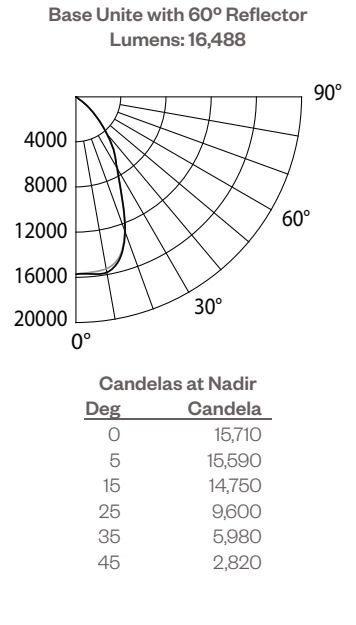
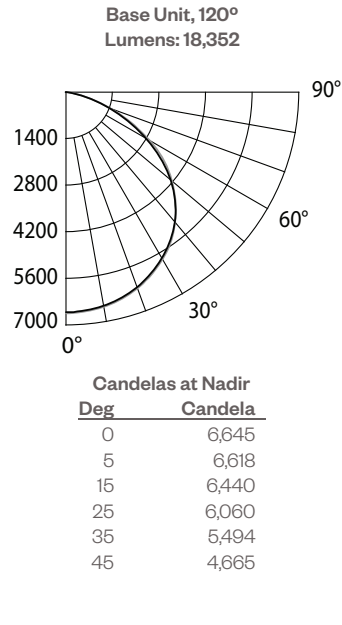


PROJECT:

TYPE:

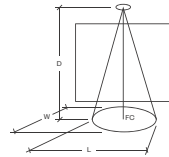
FIXTURE DATA: (Complete photometric data (.ies format) available upon request)

150W LED, 4000K-83



Application Data:

	0° Aiming Angle Horizontal Footcandles			
	D	FC	L	W
Base Unit, 120°	7.5'	119	9.9	9.9
	10.0'	67	13.1	13.1
	12.5'	43	16.5	16.5
	15.0'	30	19.8	19.8
Base Unit with 60° Reflector	7.5'	280	6.8	6.8
	10.0'	158	9.2	9.2
	12.5'	101	11.3	11.3
	15.0'	71	13.7	13.7
Base Unit with 70° Refractor	7.5'	215	8.5	8.5
	10.0'	121	11.2	11.2
	12.5'	78	13.9	13.9
	15.0'	54	16.9	16.9



Notes and Definitions:

- Beam spread is to 50% center beam candlepower (CBCP).
- D**=Distance to floor or wall.
- FC**=Footcandles on floor or wall at center beam aiming location.
- L**=Effective Visual Beam length in feet (50% of maximum footcandle level).
- W**=Effective Visual Beam width in feet (50% of maximum footcandle level).
- CB**=Distance across or down to center beam location.