

# Essenza® HP

## 2000 LM Square Downlight



### Features

Essenza HP LED Downlights are designed to deliver high punch of light for high ceilings and high ambient applications. The shallow frame (only 3-1/8" plenum depth\*) is universal to accept either the round or square Essenza HP downlight trims.

\* New construction only (see pg 4&5 for CP & REM requirements)

### Product Overview

Type:	Recessed Square Downlight
Wattage:	23
Lumen Output:	2048 lm (WF optic, 3000K, 83 CRI)
Color Temp:	2200K, 2700K, 3000K, 3500K, 4000K
CRI:	83 typ. (2700K, 3000K, 3500K, 4000K) 90+ typ. (2200K, 2700K, 3000K, 3500K, 4000K)
Dimming:	CrispWhite & 3K Class A available TRIAC & ELV (120V/277V) - 5% Dim Lutron A Series (120V/277V), 3-wire/EcoSystem Hi-lume® - 1% dim Lutron H Series (120V/277V), EcoSystem, Hi-lume® - 1% dim with soft on, fade to black 0-10V (120V/277V) - 1% Dim DALI dimming - 1% Dim

PROJECT:

TYPE:

### Fixture Type

New Construction	Remodeler	Trim	Trimless
Yes	Yes	Yes	Yes

### Performance Chart

Wattage	Delivered Lumens	LPW	Color Temp
23	2048	89	3000K-83

Data based on Wide Flood optic, 3000K-83 ies files available on website.  
See page 6 for other performance data.

### Electrical Data

	23W	
	System Watts	Amps
120V	23	0.19
277V	23	0.08

Electronic constant current LED driver  
Includes 2W thermal protector



# Essenza® HP

2000 Lumen Square Downlight



## PROJECT:

## TYPE:

### Housing/Frame Ordering Information



- 1** Model  
 For New Construction  
**EZ-HP-NC-A17<sup>†</sup>** (New Construction)  
**EZ-HP-CP-A17<sup>†</sup>** (Chicago Plenum (CCEA) housing)
- For Existing Ceilings  
**EZ-HP-REM-A17<sup>†</sup>** (Remodeler, for existing ceilings)

- 2** Style  
**T** - trimmed  
**STL** - square trimless

- 3** Wattage  
**23**

- 4** Voltage  
**120**  
**277**

- 5** Driver (for non-dimming, select LE/TE option)  
**LE/TE** - TRIAC/ELV dimming, 5% dim  
**HILUME-A** - Lutron Hi-lume® A Series, 3-wire/EcoSystem, Hi-lume®, 1% dim  
**HILUME-H** - Lutron Hi-lume® H Series, EcoSystem Hi-lume®, 1% dim with soft on, fade to black  
**O-10V** - 0-10V dimming; 1% dim  
**DALI** - DALI dimming, 1% dim

- 6** Options/Accessories  
**EM** - integral emergency battery pack with remote test switch, requires 7" ceiling clearance (not available for use with REM or CP option)

### Trim Ordering Information



- 1** Model  
**EZ-HP-SD-A17<sup>†</sup>** (downlight)

- 2** Style  
**T** - trimmed  
**TL** - trimless

- 3** Finish
- |  |                           |
|--|---------------------------|
| <u>Trimmed</u>                           | <u>Trimless</u>           |
| <b>MWW</b> - matte white, white flange   | <b>MW</b> - matte white   |
| <b>SLVW</b> - matte silver, white flange | <b>SLV</b> - matte silver |
- For other finishes consult factory, specify internal cone and trim ring finishes separately

- 4** Beam Spreads  
**NF** - narrow flood, 21°  
**WF** - wide flood, 45°  
**VWF** - very wide flood, 60°

- 5** Color Temp
- |                      |                        |                           |
|----------------------|------------------------|---------------------------|
| <b>27</b> - 2700K-83 | <b>229</b> - 2200K-90+ | <b>CRISP</b> - CrispWhite |
| <b>30</b> - 3000K-83 | <b>279</b> - 2700K-90+ | <b>3CLA</b> - 3K Class A  |
| <b>35</b> - 3500K-83 | <b>309</b> - 3000K-90+ |                           |
| <b>40</b> - 4000K-83 | <b>359</b> - 3500K-90+ |                           |
|                      | <b>409</b> - 4000K-90+ |                           |

<sup>†</sup> The "A" refers to the sequential revision in a year and "XX" refers to the year of update. Updates coincide with improved performance while not changing the overall fixture aesthetic and are reflected in the published performance data. Please contact your Amerlux representative for explanations of changes.

# Essenza<sup>®</sup> HP

2000 Lumen Square Downlight



## PROJECT:

## TYPE:

### Specifications

#### Application

Hospitality, retail and commercial ambient

#### Construction

20 ga. galvanized steel frame  
18 ga. galvanized steel splice housing and hanger brackets  
(not for use with Remodeler version)  
Cast aluminum plaster frame with perforated face (for trimless version only)  
Die-cast optical housing, trim and heatsink

#### Optical

Molded acrylic TIR optic

#### Beam spreads:

Narrow Flood, 21°; Wide Flood, 45°;  
Very Wide Flood, 60°

#### LED

#### Color Temp Options:

2200K, 2700K, 3000K, 3500K, 4000K

CRI: 83 typ. (2700K, 3000K, 3500K, 4000K)

90+ typ. (2200K, 2700K, 3000K, 3500K, 4000K)

CrispWhite\* LED available,

Class A\*\* 3000K (high CRI, high gamut)

R9 Values: 11 (83 CRI), 55 (92 CRI)

Binning: 3 MacAdam (SDCM)

Life: 50,000+ hrs, > 70% of initial lumens at 50,000 hrs

*\*CrispWhite: CrispWhite Technology delivers the warmth of colors expected from a high 90 CRI solution but also creates the natural crisp white color that is pleasing to the eye. It creates the most impactful lighting ever available, by revealing the richest whites and vibrant colors that pop.*

*\*\*Class A LED: Class A LED's have a CRI > 80 and a GAI > 80. CRI defines color "Naturalness" and GAI defines color "Saturation." Both being high delivers rich colors and pure whites.*

#### Electrical

Wattage: 23

Electronic constant current LED driver, 120V/277V input

**This product complies with IEEE C62.41 for surge endurance up to 2.5KV. Amerlux<sup>®</sup> recommends using additional surge protection with this unit (supplied by others), surge and over voltage damage is not covered under warranty.**

**Note:** Drivers are universal but thermal protector is voltage specific

#### Drivers

LE/TE - Leading Edge, TRIAC, forward phase/Trailing Edge, ELV, reverse phase

0-10V, Lutron DALI systems also available

See pages 6-7 for more dimming information

#### Finish

Powder coat paint

Consult factory for custom finishes

#### Mounting

##### Trimmed

For use in T-grid or sheetrock ceilings, max thickness 1"

##### Trimless

For use in sheetrock ceilings, max thickness 5/8"

#### Certifications

CSA listed to UL standards

Damp location

Chicago Plenum (CCEA) optional

#### Warranty

3 year limited warranty

# Essenza<sup>®</sup> HP

2000 Lumen Square Downlight

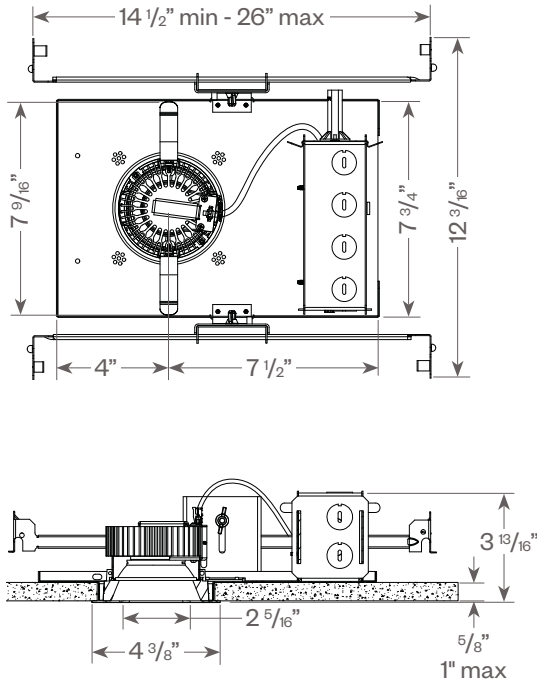


PROJECT:

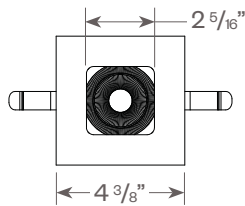
TYPE:

## Essenza 2000 LM Square Downlight:

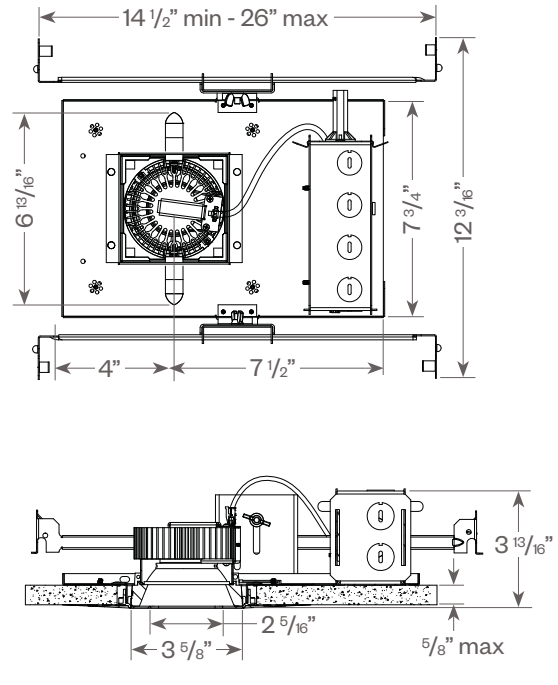
Trimmed Downlight



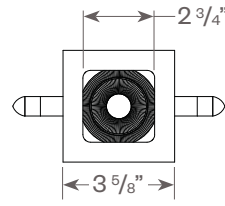
Ceiling cut out: 4"



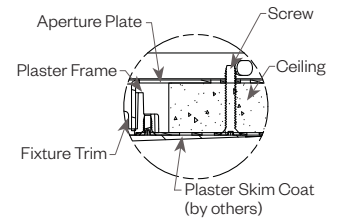
Trimless Downlight



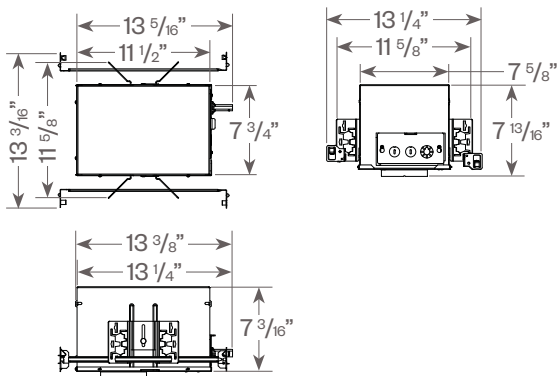
Ceiling cut out: 4 1/2"



Plaster Frame Detail



Optional CP housing



# Essenza<sup>®</sup> HP

2000 Lumen Square Downlight

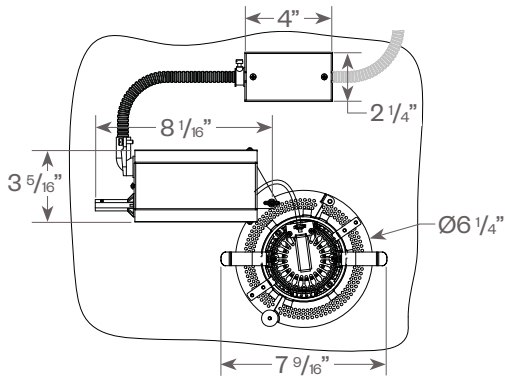


**PROJECT:**

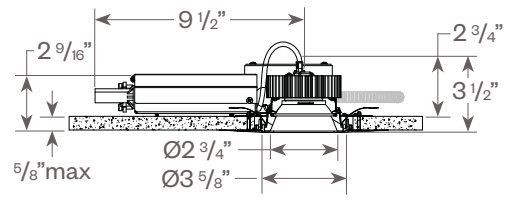
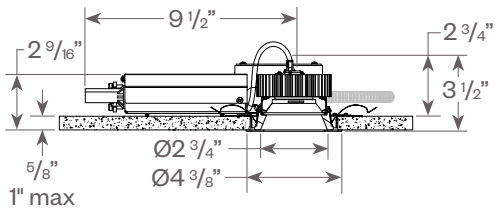
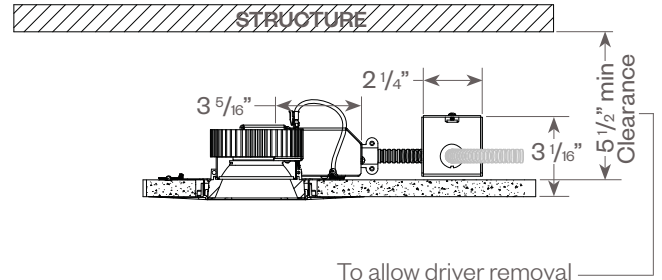
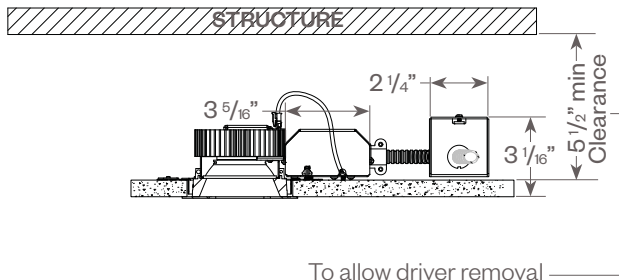
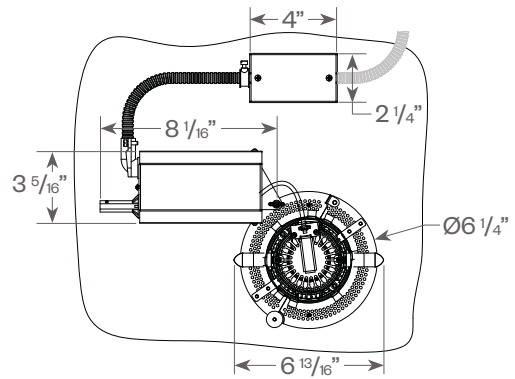
**TYPE:**

## Essenza 2000 LM Round Downlight Remodeler:

Trimmed Downlight

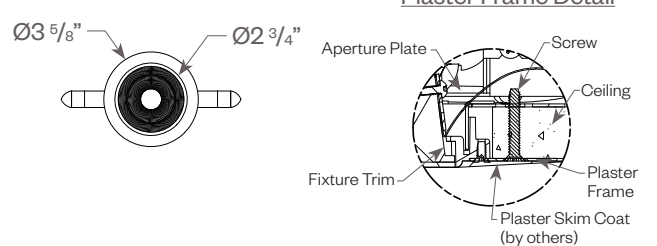
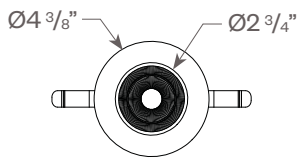


Trimless Downlight



Ceiling cut out: 4" dia.

Ceiling cut out: 4 1/2" dia.



# Essenza® HP

2000 Lumen Square Downlight



## PROJECT:

## TYPE:

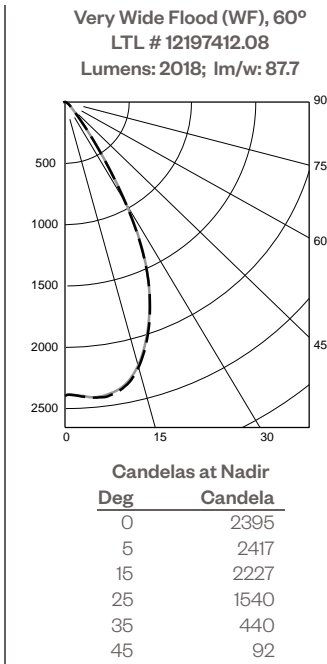
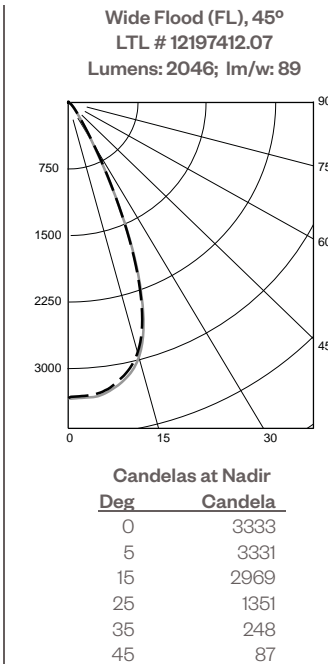
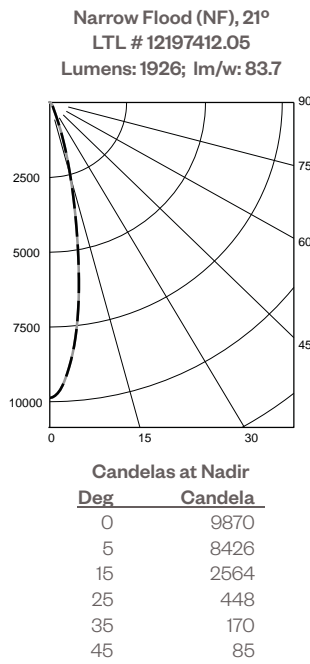
**FIXTURE DATA:** (Complete photometric data (.ies format) available upon request)

**MULTIPLYING FACTORS:** (Multiplying Factor is based on 3000K-83 120V IES file on website)

CCT:	2700K-83	3000K-83	3500K-83	4000K-83
Factor:	0.96	1.0	1.02	1.04

CCT:	2200K-90+	2700K-90+	3000K-90+	3500K-90+	4000K-90+	CRISP	3CLA
Factor:	0.71	0.80	0.83	0.87	0.90	0.65	0.75

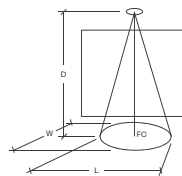
### 23W LED, 3000K-83



### Application Data:

**0° Aiming Angle Horizontal Footcandles**

	D	FC	L	W
Narrow Flood	5.0'	396	1.7	1.7
	7.5'	176	2.8	2.8
	10.0'	99	3.6	3.6
	12.5'	64	4.6	4.6
Wide Flood	5.0'	134	3.9	3.8
	7.5'	60	5.9	5.7
	10.0'	34	7.9	7.8
	12.5'	22	9.9	9.7
Very Wide Flood	5.0'	109	4.3	4.3
	7.5'	47	6.5	6.5
	10.0'	26	8.9	8.9
	12.5'	17	11.2	11.2



#### Notes and Definitions:

Beam spread is to 50% center beam candlepower (CBCP).

**D**=Distance to floor or wall.

**FC**=Footcandles on floor or wall at center beam aiming location.

**L**=Effective Visual Beam length in feet (50% of maximum footcandle level).

**W**=Effective Visual Beam width in feet (50% of maximum footcandle level).

**CB**=Distance across or down to center beam location.

**PROJECT:**

**TYPE:**

**DIMMING COMPATIBILITY:**

Amerlux® Essenza fixtures are compatible with all major dimming protocols prevalent in the United States. Please see below for general compatibilities and wiring diagrams. Amerlux recommends testing your unique dimming configuration as the exact full configuration (Dimmer, Fixture Quantity, Voltage, etc) may affect dimming performance.

**--- NOTE: INFORMATION BELOW IS FOR WIRED DIMMERS ONLY. FOR WIRELESS DIMMERS, CONSULT FACTORY ---**

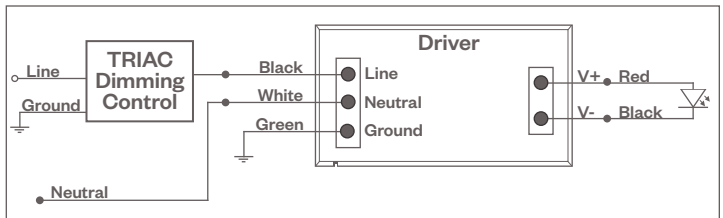
**TRIAC (Forward Phase) DIMMING (Standard)**

Utilizes “Standard” incandescent dimmers that are in wide use in installations across the US. Best for retrofit applications where TRIAC dimmers are installed.

**Notes:**

- 120V or 277V\*
- Dims down to less than 5% light output (most cases)
- Consult Dimming manufacturer for installation instructions - DO NOT SHARE NEUTRALS!
- Must meet dimmer Minimum Load Requirements per dimming manufacturer

**TRIAC Wiring Diagram**



**Compatible Dimmers**

**Wall Box (Incandescent Style, Wattage as required)**

Lutron “Diva”	Lutron “Vareo”
Lutron “Nova-T”	Lutron “Skylark”
Lutron “Maestro”	

**Central System**

Lutron “GP” Panel
Lutron Grafik Eye QS

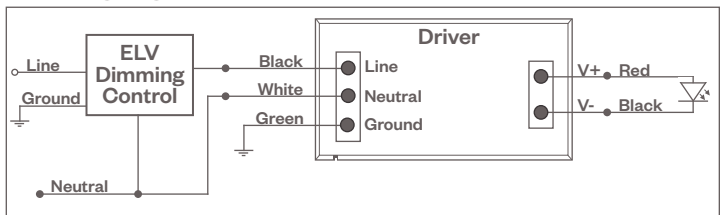
**ELV - Electronic Low Voltage (Reverse Phase) DIMMING (Standard)**

Utilizes specialized “ELV” dimmers. Best for New Construction applications

**Notes:**

- 120V or 277V\*
- Dims down to less than 5% light output (most cases)
- Consult Dimming manufacturer for installation instructions - DO NOT SHARE NEUTRALS!
- Must meet dimmer Minimum Load Requirements

**ELV Wiring Diagram**



**Compatible Dimmers**

**Wall Box (ELV Style)**

Lutron “Diva”	Lutron “Vareo”
Lutron “Nova-T”	Lutron “Skylark”
Lutron “Maestro”	
Leviton “Surslide”	Leviton “Vizio”

**Central System**

Lutron “GP” Panel with PHPM-PA Interface
Lutron Grafik Eye QS with PHPM-PA Interface

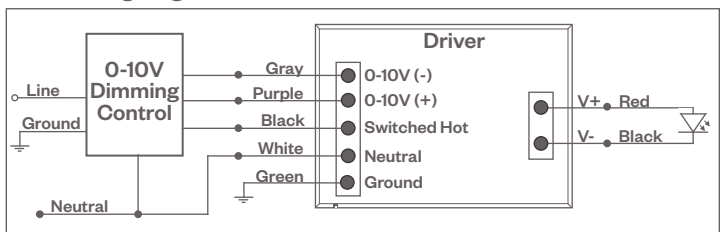
**0-10V - DIMMING (-0-10V Option)**

Integrates into a variety of building management and daylighting controls

**Notes:**

- 120V or 277V\*
- Dims down to 1% light output
- Requires interface to turn off power to driver
- Consult Dimming manufacturer for installation instructions - DO NOT SHARE NEUTRALS!

**0-10V Wiring Diagram**



**Compatible Dimmers**

**Wall Box**

Lutron “Diva” - DVTV with PP-120H Interface	Leviton Renoir II 0-10V
---	-------------------------

**Central System**

Lutron Grafik Eye with GRX-TVI Interface
--

**Notes:**

\* Driver is 277V dimmable with appropriate dimmer (by others). All provided wiring diagrams show 120V wiring colors and method. Please refer to 277V dimming installation instructions for 277V wiring diagrams.

# Essenza® HP

2000 Lumen Square Downlight



## PROJECT:

## TYPE:

### DIMMING COMPATIBILITY:

Amerlux® Essenza fixtures are compatible with all major dimming protocols prevalent in the United States. Please see below for general compatibilities and wiring diagrams. Amerlux recommends testing your unique dimming configuration as the exact full configuration (Dimmer, Fixture Quantity, Voltage, etc) may affect dimming performance.

**--- NOTE: INFORMATION BELOW IS FOR WIRED DIMMERS ONLY. FOR WIRELESS DIMMERS, CONSULT FACTORY ---**

### LUTRON A-SERIES HI-LUME / ECOSYSTEM (-DIM-HILUME Option)

Integrates into Lutron EcoSystem building management

#### Notes:

- 120V or 277V\*
- Dims down to less than 5% light output
- May use 3-Wire or EcoSystem Control
- Consult Dimming manufacturer for installation instructions - DO NOT SHARE NEUTRALS!

#### Compatible Dimmers

##### Wall Box (3-Wire Fluorescent)

DIVA

Maestro

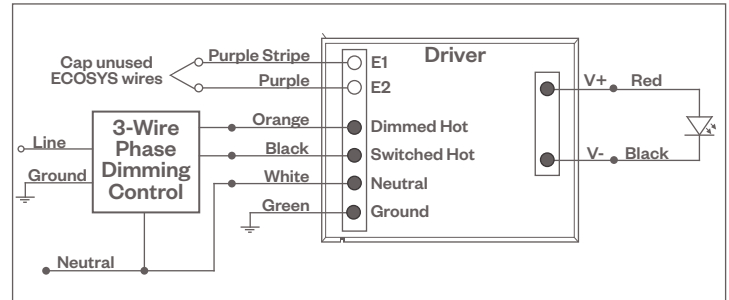
Nova T

Vareo

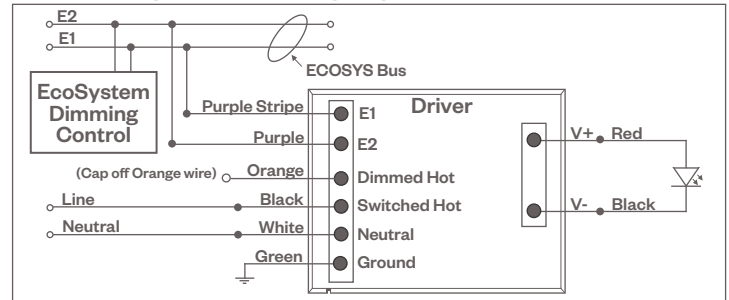
##### Central System

Lutron EcoSystem compatible controls

### 3-Wire Wiring Diagram



### EcoSystem Digital Control Wiring Diagram



#### Notes:

\* Driver is 277V dimmable with appropriate dimmer (by others). All provided wiring diagrams show 120V wiring colors and method. Please refer to 277V dimming installation instructions for 277V wiring diagrams.