

# Passo CR

## 4" Louvered LED Recessed Wall Luminaire



PCCL4

### Features

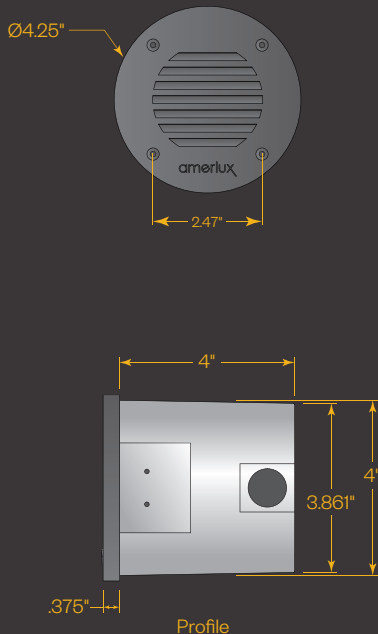
The Passo family of luminaires includes high quality, architecturally relevant fixtures suitable for use in both outdoor or indoor applications. All members of the Passo family feature an independently sealed optical chamber and fully potted driver. These features are especially beneficial in exterior applications as they help compensate for the challenges in getting a good seal between a pre-installed back box and the faceplate as well as those challenges in fully sealing the conduit system. Each luminaire is available in a choice of two output levels to help tailor the desired illuminance to the project and a standard 0-10v dimmable driver allows even further flexibility. Available in amber for Wildlife Lighting Certified applications.

### Product Overview

Wattage:	Up to 5.4W
Lumen Output:	Up to 26 lm
Color Temp:	2,700K / 3,000K / 4,000K / AMBER
Dimming:	0-10v down to 10%

### PROJECT:

### TYPE:



### Application:

Designed for new construction in interior or exterior hollow walls or poured concrete.

### Construction:

- Die-cast aluminum housing with protective powdercoat finish
- Sealed die-cast aluminum internal optical chamber
- Die-cast aluminum faceplate
- 1/8" tempered frosted glass lens

### Driver:

- Drive Current (100, 175 or 350mA)
- 2.5kv surge protection
- Fully potted
- Input voltage 120v-277v auto-sensing
- 0-10v dimmable down to 10%

**ETL listed, suitable for wet locations.**

### Optics:

Individually sealed optical chamber insures LEDs are secure independent of the installation of the back box.

### Amber Option:

PCCL4-AL: 33 mW  
PCCL4-AH: 50 mW



### Finish:

Premium quality thermoset polyester powdercoat for a durable finish.

(\*Not Wildlife Lighting Certified with AMBER CCT)

- |                       |               |
|-----------------------|---------------|
| ANT - Anthracite Gray | *SLV - Silver |
| BLK - Satin Black     | *WHT - White  |
| CLB - Classic Bronze  | CSTM - Custom |

# Passo CR

4" Louvered LED  
Recessed Wall Luminaire



PROJECT:

TYPE:

## Luminaire Ordering Information

PCCL4 - -  
1 2 3

**1** Model  
**PCCL4**

**2** Performance Code  
**L27** - 2,700K / 100mA  
**L30** - 3,000K / 100mA  
**L40** - 4,000K / 100mA  
**H27** - 2,700K / 175mA  
**H30** - 3,000K / 175mA  
**H40** - 4,000K / 175mA  
**VH27** - 2,700K / 350mA  
**VH30** - 3,000K / 350mA  
**VH40** - 4,000K / 350mA  
**AL** - Amber Low  
**AH** - Amber High

**3** Finish  
\* **ANT** - Anthracite Gray  
\* **BLK** - Satin Black  
\* **CLB** - Classic Bronze  
**SLV** - Silver  
**WHT** - White  
**CSTM** - Custom



FWC Approved Finishes\*  
For Amber Light Source

## Back Box Ordering Information (Back Box must be ordered separately for a complete unit)

Model  
**CRBX-4**

The backbox can be shipped ahead of the steplight upon request.

# Passo CR

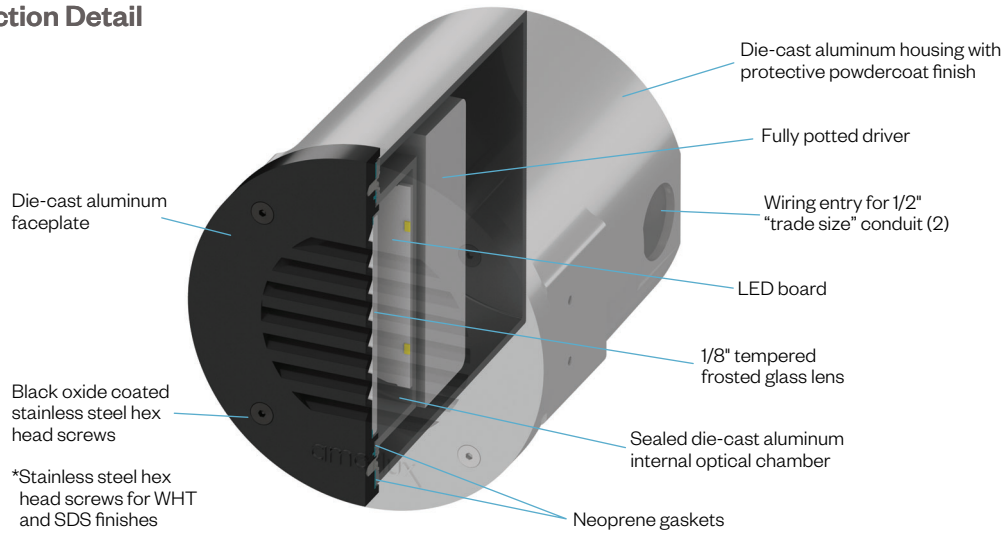
4" Louvered LED  
Recessed Wall Luminaire



**PROJECT:**

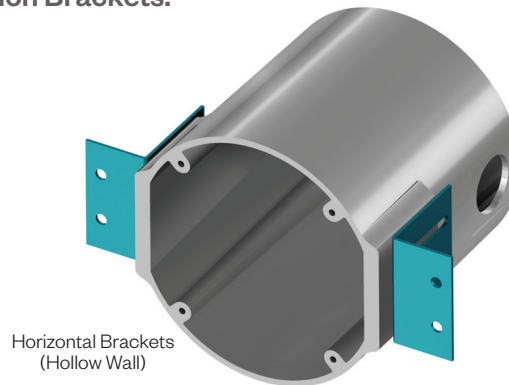
**TYPE:**

## Construction Detail

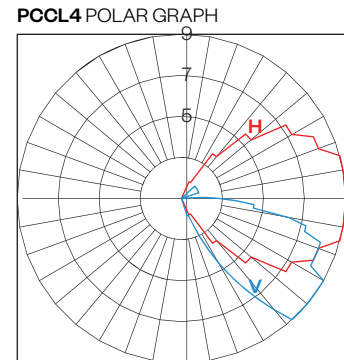


## Application Brackets:

(Included)



## Performance Detail



## Performance Chart

Performance Code	CCT	Approx. Lumens	Drive Current	Nominal Input Power
<b>L27</b>	2700K	10	100mA	1.5W
<b>L30</b>	3000K	11		
<b>L40</b>	4000K	12		
<b>H27</b>	2700K	13	175mA	2.7W
<b>H30</b>	3000K	14		
<b>H40</b>	4000K	15		
<b>VH27</b>	2700K	23	350mA	5.4W
<b>VH30</b>	3000K	24		
<b>VH40</b>	4000K	26		

## Amber Option

Model Code	Output
<b>PCCL4-AL</b>	33 mW
<b>PCCL4-AH</b>	50 mW