

# Passo

## 8" LED STEPLIGHT (Retrofit)

### Features

Thoughtful design and attention to detail ensure the Passo LED Step Lights are truly one of a kind. Whether for new construction or retrofit applications, the Passo integrates LED technology and well proven construction techniques to deliver an extremely long lasting and virtually maintenance free light that enhances the safety and aesthetics of a project.



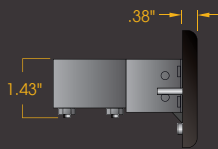
PSLT8R/BK

### Product Overview

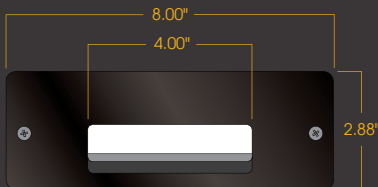
Wattage:	4W
Lumen Output:	205 lm
Color Temp:	3,000K / 3,500K / 4,000K

### PROJECT:

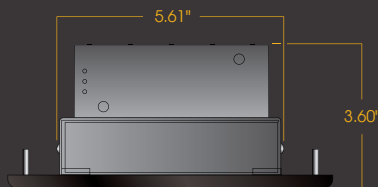
### TYPE:



Side View



Front View



Top View

### Application:

Designed for retrofit in steps and wall-mounted applications.

### Construction:

Stainless steel driver enclosure and bracketing. Machined brass internal endcaps for optical chamber. Anodized aluminum heatsink. Composite, cast aluminum, or stainless steel faceplate.

### Driver:

Fully epoxy encapsulated for exceptionally cool operation and greatly extended life. Electronic constant voltage operation with over voltage and short circuit protection. 120 to 277v input. ELV dimmable at 120v only.

### ETL listed, suitable for wet locations.

### Optics:

LED module comprised of a closely packed array of small, discrete LED's that creates a uniform linear light source. Module and heat sink are enclosed in a cylindrical glass lens sealed with O-rings, to provide exceptional performance. Polished reflector directs the light outward uniformly.

### Faceplate Color:

- BG** - Beige
- BK** - Black
- GY** - Dark Gray
- WH** - White

Brushed Stainless Steel

# Passo

8" LED STEPLIGHT (Retrofit)



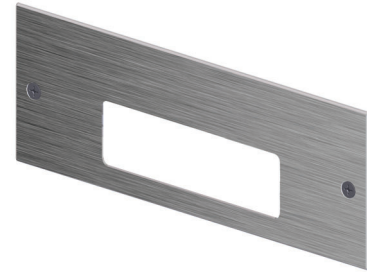
PROJECT:

TYPE:

## Available Faceplates

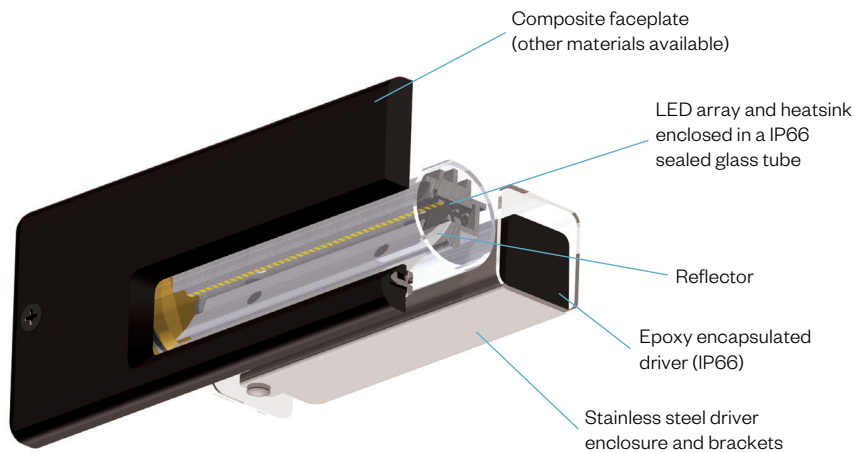


Solid Color Composite  
(Standard)

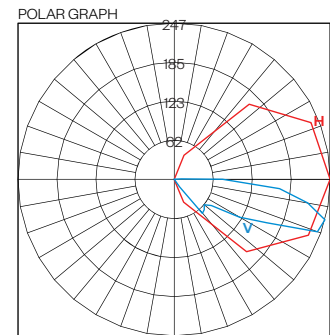


Stainless Steel (SS)  
1/8" thick  
304 Grade

## Construction Detail



## Performance Detail



Maximum Candela = 246.68  
Horizontal Angle = 0  
Vertical Angle = 75

## Ordering Information

Model	Faceplate Color	Ordering Code	CCT	Approx. Lumens	Total Efficacy	Nominal Input Power
<b>PSLTR8</b>	<b>BG</b> - Beige <b>BK</b> - Black <b>GY</b> - Dark Gray <b>WH</b> - White	<b>F30</b>	3000 K	172	43 Lm/W	4W
		<b>F35</b>	3500 K	176	44 Lm/W	
		<b>F40</b>	4000 K	205	51 Lm/W	
<b>PSLTR8-SS</b>	Brushed Stainless Steel					

Ordering options shown as **BOLD**