

MEDIUM TEARDROP

RETROFIT LED LIGHT ENGINE

U.4.17.19

APPLICATION:

Medium teardrop LED light engine for use in roadway, area, and pedestrian environments. Designed for new fixtures or existing as a retrofit.

OPTICAL MODULE:

The light engine utilizes three IP66 sealed optical modules consisting of a high performance LED board with an acrylic (TIR) lens to deliver maximum spacing and uniformity. A choice of Type 2 (**T2**), Type 3 (**T3**), Type 4 (**T4**), or Type 5 (**T5**), IES distributions are available with the scalability to meet application criteria. Custom configurations available.

ELECTRICAL:

- 12 LEDs per module
- LED Board Drive Current 530mA/600mA
- Universal input voltage 120-277 VAC (50/60Hz)
- Operational Temp: -40°C/40°C
- Power consumption up to 84W
- Series wired 20kV/10kA surge protector (Per ANSI C82.77-5-2015)
- 0-10v dimming is standard
- A 347V/480V option is available
- DLC listed

OUTPUT:

- **TDL3/530M/30** up to 6,770 lm
- **TDL3/530M/40** up to 7,320 lm
- **TDL3/600M/30** up to 7,580 lm
- **TDL3/600M/40** up to 8,190 lm

LIGHT DISTRIBUTION:

- Type II (**T2**)
- Type III (**T3**)
- Type IV (**T4**)
- Type V (**T5**)

Max Watts:

64W

CCT:

- 3,000K
- 4,000K

TDL3 LED



ORDERING #

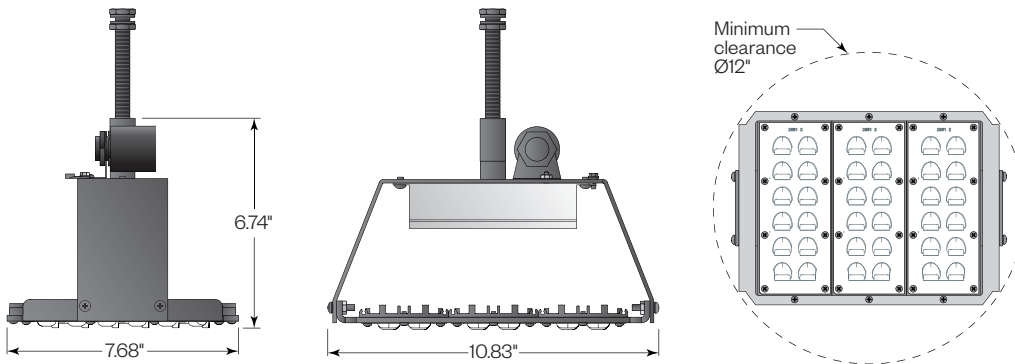
PROJECT:

TYPE:

DATE:

PREPARED BY:

COMMENTS:



Ordering Information:

Model	Light Distribution	CCT	Driver Output	Voltage
TDL3	T2	30 (3,000K)	530M (530mA) 600M (600mA)	120-277v (Standard) 347v/480v
	T3			
	T4	40 (4,000K)		
	T5			

Ordering options shown as **BOLD**.



5 year limited warranty
AMERLUX LED



Part String

Example: **TDL3/T5/30/530M**