

# LARGE TEARDROP RETROFIT LED LIGHT ENGINE

U.4.17.19

## APPLICATION:

Large teardrop LED light engine for use in roadway, area, and pedestrian environments. Designed for large teardrop luminaires.

## OPTICAL MODULE:

The light engine utilizes four IP66 sealed optical modules consisting of a high performance LED board with an acrylic (TIR) lens to deliver maximum spacing and uniformity. A choice of Type 2 (**T2**), Type 3 (**T3**), Type 4 (**T4**), or Type 5 (**T5**), IES distributions are available with the scalability to meet application criteria. Custom configurations available.

## ELECTRICAL:

- 12 LEDs per module
- LED Board Drive Current 530mA/600mA
- Automatic AC incoming voltage sensing (120–277V)
- Operational Temp: -40°C/40°C
- Power consumption up to 109W
- Series wired 20kV/10kA surge protector (Per ANSI C82.77-5-2015)
- 0-10v dimming is standard
- A 347V/480V option is available
- DLC listed

## OUTPUT:

- **TDL4/530M/30** up to 8,900 lm
- **TDL4/530M/40** up to 9,630 lm
- **TDL4/600M/30** up to 9,960 lm
- **TDL4/600M/40** up to 10,780 lm

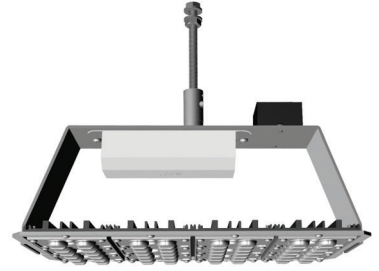
## LIGHT DISTRIBUTION:

- Type II (**T2**)
- Type III (**T3**)
- Type IV (**T4**)
- Type V (**T5**)

**Max Watts:**  
86W

**CCT:**  
• 3,000K  
• 4,000K

# TDL4 LED



ORDERING #

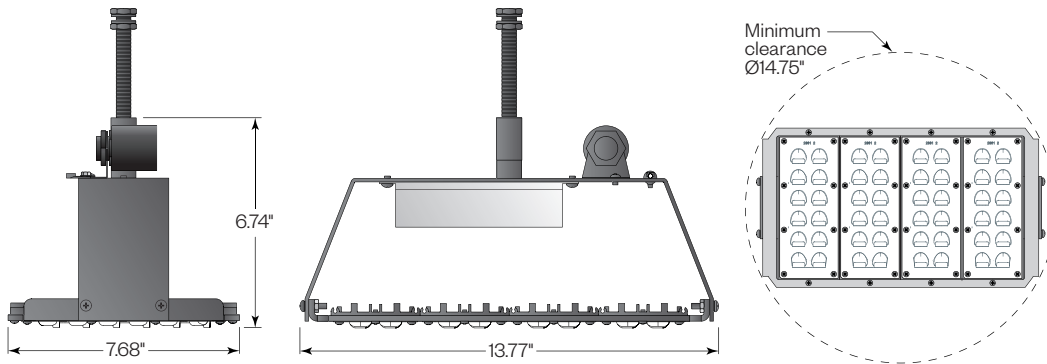
PROJECT:

TYPE:

DATE:

PREPARED BY:

COMMENTS:



## Ordering Information:

Model	Light Distribution	CCT	Driver Output	Voltage
<b>TDL4</b>	<b>T2</b>	<b>30</b> (3,000K)	<b>530M</b> (530mA)	120-277v (Standard) <b>347v/480v</b>
	<b>T3</b>		<b>600M</b> (600mA)	
	<b>T4</b>	<b>40</b> (4,000K)		
	<b>T5</b>			

Ordering options shown as **BOLD**.



**5** year limited  
warranty  
AMERLUX LED



**Part String**

Example: **TDL4/T5/30/530M**