

# WALL BRACKETS

All wall brackets, with the exception of WBR03 & WBR06, are constructed of corrosion resistant cast aluminum (A319 Alloy). WBR03 & WBR06 are fabricated brackets.

All brackets have a nominal 3" OD tenon for luminaire mounting, and four holes in the back plate for mounting to the wall. (Wall mounting hardware is not included, due to the wide variety of backing materials. Customer should determine the appropriate anchoring hardware based on the wall material.

## FINISH:

Durable thermoset polyester powdercoat finish in the following:

Standard

Premium

**BLK** - Satin Black

**GTG** - Granite Green

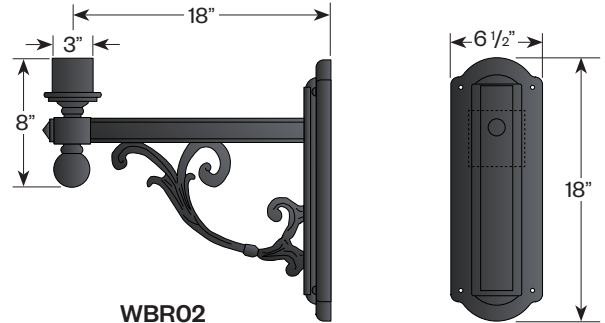
**CLB** - Classic Bronze

**ATC** - Antique Copper

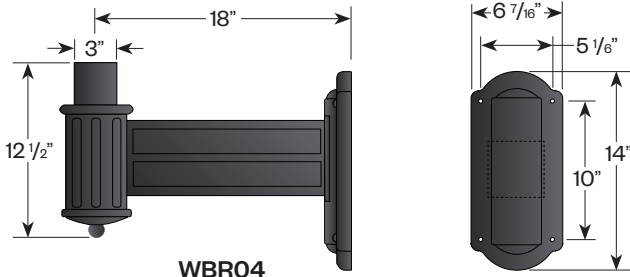
**GRN** - Green

**WHT** - White

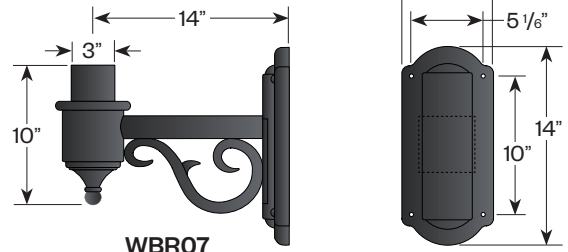
**TBK** - Textured Black



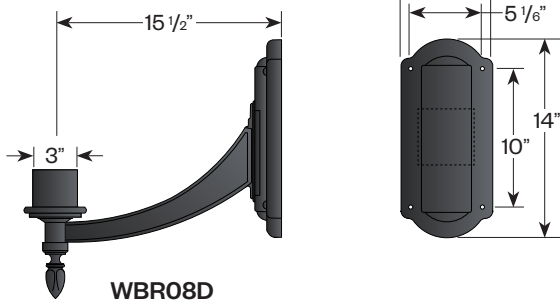
WBR02



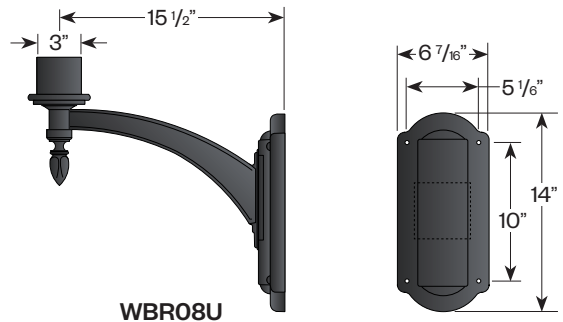
WBR04



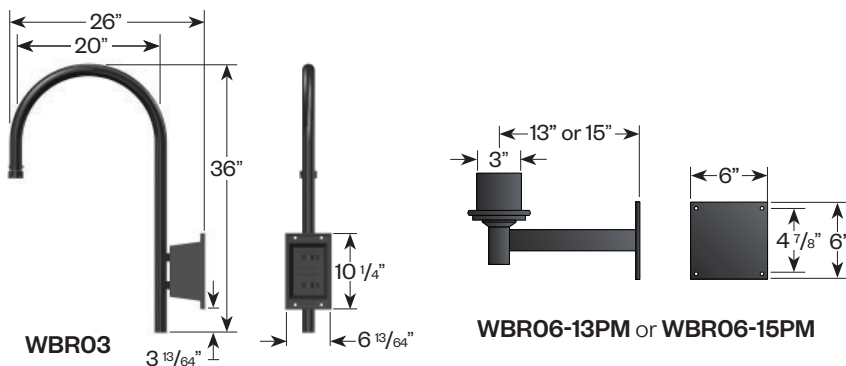
WBR07



WBR08D



WBR08U



WBR03

WBR06-13PM or WBR06-15PM

## Ordering Information

1	2
<b>1</b> Model	<b>2</b> Finish
WBR02	BLK
WBR03	CLB
WBR04	GRN
WBR06-13PM	TBK
WBR06-15PM	GTG
WBR07	ATC
WBR08D	WHT
WBR08U	

Amerlux reserves the right to change details that do not affect overall function and performance.