

Stellina Family

Arcs and curves. The shape of light to come.



Stellina

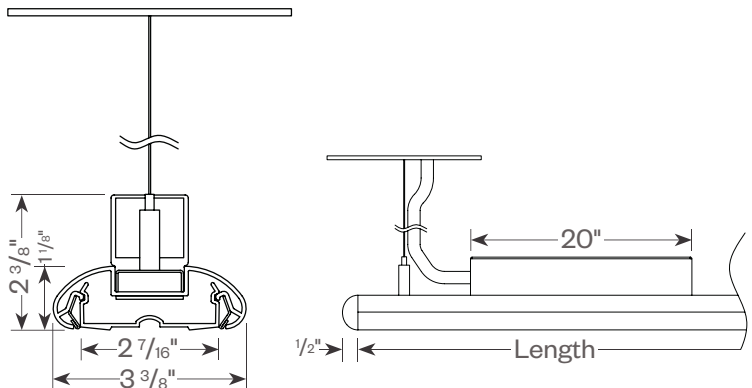
With Stellina, Amerlux® takes your light source out of the traditional straight line format, and into an arched realm of new design possibilities. Available in direct, indirect, and low bay styles, Stellina is very thin, at only 1.5". These softly curved fixtures reshape lighting, and at the same time maintain Amerlux value, with high output, efficacy, and advanced optics. For innovation, flexibility, and quality performance, there is nothing quite like it.

For most updated performance & ordering information visit us at amerlux.com.

Features & Specs

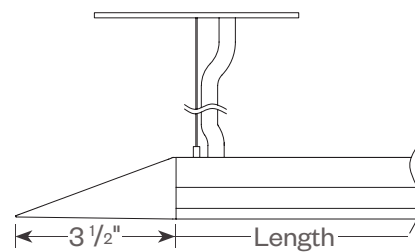
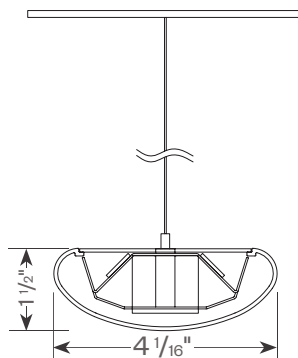
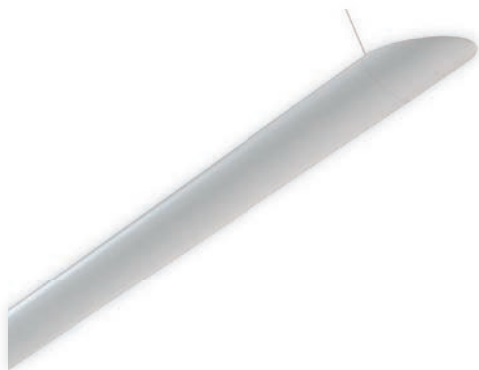
- 5W/Ft, 10W/Ft (STL-D & STL-I)
10W/Ft, 20W/Ft, 40W/Ft (STL-22)
- Up to 4,370 Lm; 1,093 Lm/Ft; 107 Lm/W (STL-D)
4,834 Lm; 1,209 Lm/Ft; 130 Lm/W (STL-I)
14,034 Lm; 3,509 Lm/Ft; 106 Lm/W (STL-22)
- Individual housing lengths:
49" or 97" (STL-D)
56" or 104" (STL-I)
24" or 48" (STL-22)
- Extruded aluminum housing
- Electronic constant current LED driver, 120V-277V
- Mounting: aircraft cable suspension
- Distribution: Batwing 60° or 80° (STL-D & STL-22)
- Dimming options (120V & 277V):
0-10V (standard)
Lutron Hi-lume®
Enlighted sensor available

Stellina Direct (STL-D)

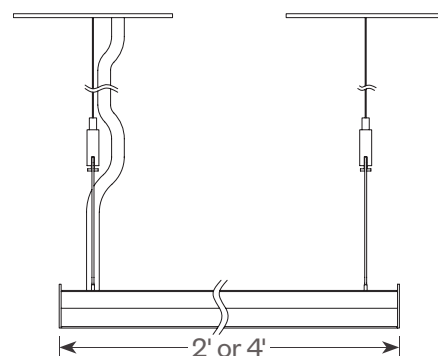
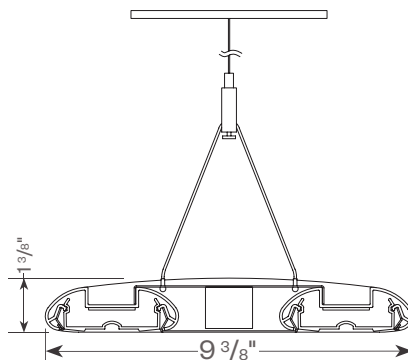
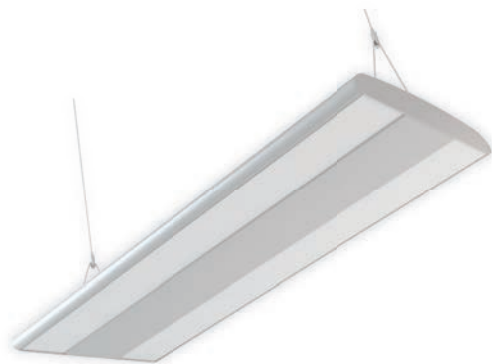




Stellina Indirect (STL-I)



Stellina 22 (STL-22)





Company Certifications:



3450 South Sam Houston Pkwy E. Suite 400
Houston, TX 77047
T: 281.997.5400 | F: 281.997.5441

Headquarters
178 Bauer Drive, Oakland, NJ 07436
T: 973.882.5010 | F: 973.882.2605

amerlux.com
© 2016 Amerlux, LLC

Oxidated Carpark 2nd Floor
No. 124 Donghuan Road, Donghuan Jie Panyu,
Guangzhou P.R.C. 511400